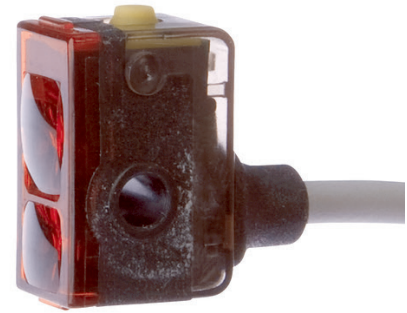


OTQ90175

OPTICAL SENSORS • DIFFUSE REFLECTION SENSORS WITH BACKGROUND SUPPRESSION

sensor optical, diffuse-reflection sensor, 16x16x9,2mm, Sn: 2-60, 10-30V DC, 1x PNP Programmable/configurable, Cable connector M8 4pin 0.2m PUR (Polyurethane), IP65, PMMA+PMMA, 1kHz, Background suppression, Polarity free red light, Point, Teach-In



MECHANICAL FEATURES

Ambient temperature	-20 °C ... 50 °C
Cable length	0.2 m
Degree of protection (IP)	IP65
Design	Cuboid
Housing material	PMMA
Material of cable sheath	PUR (Polyurethane)
Material of optical surface	PMMA
Max. tightening torque	0.2 Nm
Number of cores	4
Reflector included in the scope of delivery	-
Sensor height	16.2 mm
Sensor length	15.8 mm
Sensor width	9.2 mm
Volume	Small
Wire cross section	0.1 mm ²

ELECTRICAL FEATURES

Adjustment range	2 mm ... 60 mm
Analog output 0 mA ... 20 mA	-
Analog output 0 V ... 10 V	-
Analog output -10 V ... +10 V	-
Analog output 4 mA ... 20 mA	-
Decay time	0.5 ms
Interference suppression	+
Max. switching distance	60 mm
No-load current	25 mA
Number of pins	4
Number of switching outputs	1
Operating voltage	10 V ... 30 V
Rated switching current	100 mA
Rated switching distance	60 mm
Response time	0.5 ms
Reverse polarity protection	+

ELECTRICAL FEATURES

Scanning function	Light-/dark-on mode
Sensing range	2 mm ... 60 mm
Setting procedure	Teach-In
Short-circuit protection	+
Switching frequency	1000 Hz
Type of electrical connection	Cable connector M8
Type of switching function	Programmable/configurable
Type of switching output	PNP
Voltage drop	1.8 V
Voltage type	DC
With LED display	+
With LED display (functional reserve)	+
With LED display (reception)	+
With LED display (signal)	+
With other analog output	-
With time function	-

OPTICAL FEATURES

Light source	Polarity free red light
Wavelength of the sensor	660 nm
Triangulation	Background suppression
Light beam form	Point
Background suppression	+
Small light beam diameter	+

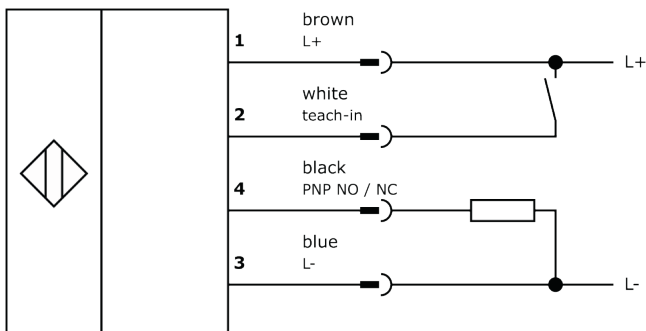
Other

Packaging dimensions	77.0mm x 25.0mm x 123.0mm
Shipping weight	0.02kg
Tariff code	85365019

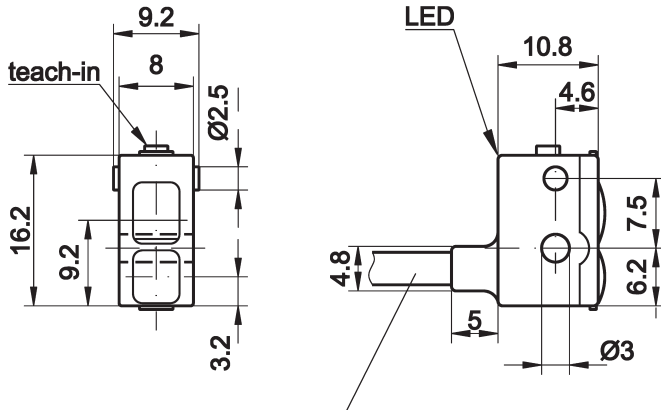
Classification

ipf product group	100
eClass 8.0	27270904
eClass 9.0	27270904
eClass 9.1	27270904
ETIM-5.0	EC002719
ETIM-6.0	EC002719
ETIM-7.0	EC002719

Connection



Dimensional drawing



Installation



Mounting / installation may only be carried out by a qualified electrician!

Disposal



Safety warnings

Before initial operation, please make sure to follow all safety instructions that may be provided in the product information. Never use these devices in applications where the safety of a person depends on their functionality. LED lighting systems can generate intensive UV radiation, which can damage your eyes in case of improper use. The manufacturer cannot be held responsible for damages that result from improper use or connection.

X-ON Electronics

Largest Supplier of Electrical and Electronic Components

Click to view similar products for [Photoelectric Sensors](#) category:

Click to view products by [IPF ELECTRONIC](#) manufacturer:

Other Similar products are found below :

[7442AD2X5FRX](#) [EX-19B-LP](#) [7443AR0X5FRX](#) [7452AD4D4NNX](#) [F3WD052C5M](#) [7694ADE04DS2X](#) [FE7C-FRC6S-M](#) [FX-305](#) [PM-R24-R](#)
[Q45VR2FPQ](#) [13104RQD07](#) [E3JUXM4MN](#) [E3L2DC4](#) [E3S3LE21](#) [E3SDS20E21](#) [E3VDS70C43S](#) [E3XNM16](#) [BR23P](#) [HOA6563-001](#) [OJ-](#)
[3307-30N8](#) [OS-311A-30](#) [P32013](#) [P34036](#) [P43004](#) [P60001](#) [PB10CNT15PO](#) [S14132](#) [935286-000](#) [S52101](#) [S56258](#) [FD-SN500](#) [FE7B-](#)
[FDRB6-M](#) [SU-79](#) [T36342](#) [T40300](#) [T60001](#) [PD60CNX20BP](#) [FX-302-HY](#) [FZS](#) [PM-T64W](#) [PZ2-51P](#) [CX-491-P-J](#) [CYNUTX10](#) [UZB802](#)
[UZB803](#) [UZFRG1](#) [UZFRG4](#) [UZFRT4](#) [UZFTT8](#) [XUM2BKCNL2T](#)