

## OTSI0090

### OPTICAL SENSORS • DIFFUSE REFLECTION SENSORS WITH INTENSITY DIFFERENTIATION

sensor optical, diffuse-reflection sensor, 120mm long, Sn: 150, 24V DC, 5x PNP/NPN Programmable/configurable, 0-10V/4-20mA, Point, Parameterization, RS232



#### MECHANICAL FEATURES

Design	Cylinder plain
Housing coating	Anodized
Reflector included in the scope of delivery	-
Sensor length	120 mm
With interchangeable lens	-

#### ELECTRICAL FEATURES

Alarm output	-
High repeat accuracy	-
Interference suppression	-
Max. switching distance	150 mm
Number of switching outputs	5
Operating voltage	24 V ... 24 V
Pre-failure message	-
Rated switching current	100 mA
Scanning function	Light-/dark-on mode
Sensing range (MAX)	150 mm
Setting procedure	Parameterization
Suitable for safety functions	-
Type of analog output	0 V ... 10 V / 4 mA ... 20 mA
Type of communication interface	Connector M5
Type of plug-in contact, communication interface	Female (socket)
Type of switching function	Programmable/configurable
Type of switching output	PNP/NPN
Voltage type	DC
With communication interface, RS-232	+
With monitoring function of downstream devices	-
With other analog output	-
With restart lock	-
With time function	-

#### OPTICAL FEATURES

Light exit	Axial
------------	-------

**OPTICAL FEATURES**

Light beam form	Point
Small light beam diameter	-
Line scanner	-

**OTHER FEATURES**

Feeding technology	+
For gloss queries	+
Is line scan camera	-

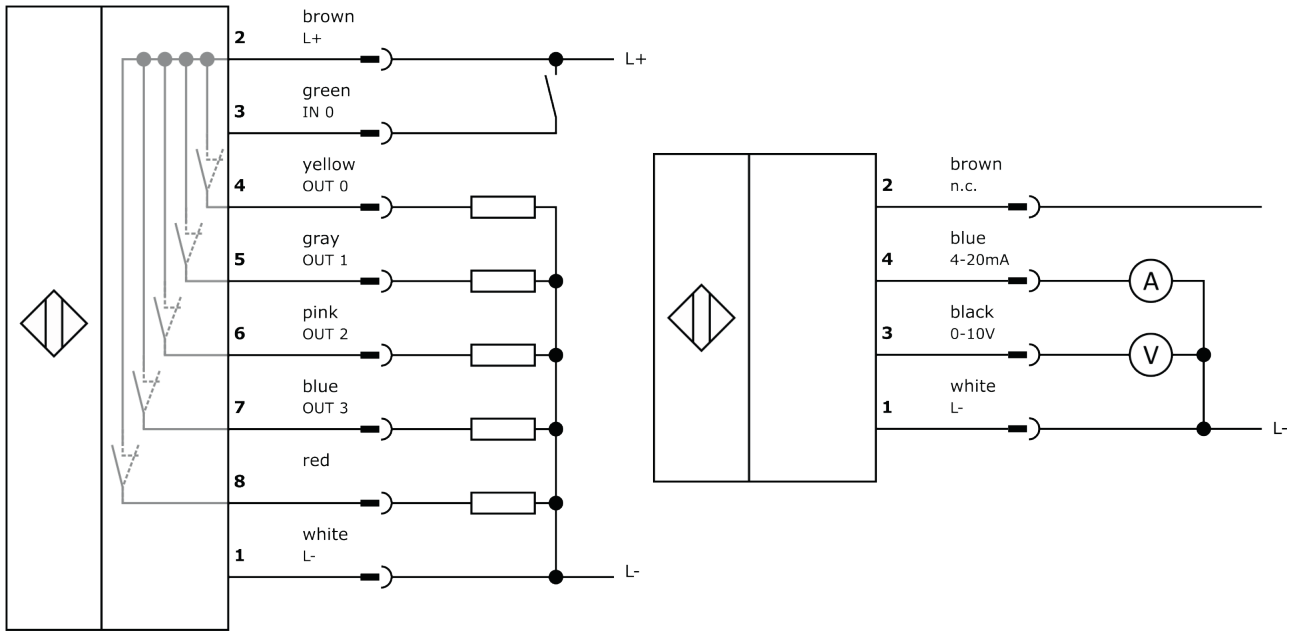
**Other**

Packaging dimensions	150mm x 130mm x 240mm
Shipping weight	1.04kg
Tariff code	85365019

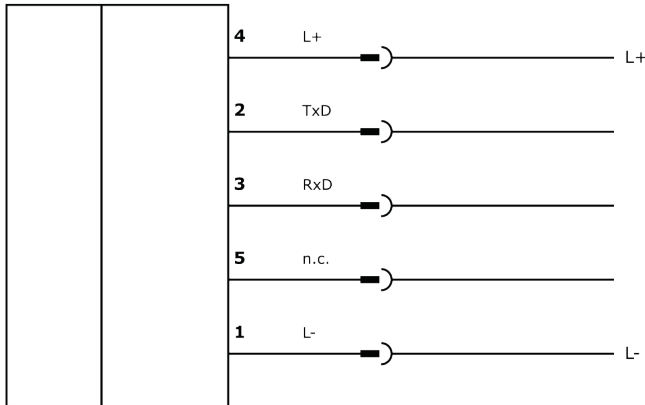
**Classification**

ipf product group	705
eClass 8.0	27270903
eClass 9.0	27270903
eClass 9.1	27270903
ETIM-5.0	EC001821
ETIM-6.0	EC001821
ETIM-7.0	EC001821

**Connection**



**programming connection**



**Dimensional drawing**

**Installation**



Mounting / installation may only be carried out by a qualified electrician!

**Disposal**



**Software**

Any software, drivers or IODD files that may be required to operate your device can be downloaded free of charge from our homepage: [www.ipf-electronic.com](http://www.ipf-electronic.com)

**Safety warnings**

Before initial operation, please make sure to follow all safety instructions that may be provided in the product information. Never use these devices in applications where the safety of a person depends on their functionality. LED lighting systems can generate intensive UV radiation, which can damage your eyes in case of improper use. The manufacturer cannot be held responsible for damages that result from improper use or connection.

## X-ON Electronics

Largest Supplier of Electrical and Electronic Components

*Click to view similar products for [Photoelectric Sensors](#) category:*

*Click to view products by [IPF ELECTRONIC](#) manufacturer:*

Other Similar products are found below :

[7442AD2X5FRX](#) [EX-19B-LP](#) [7443AR0X5FRX](#) [7452AD4D4NNX](#) [F3WD052C5M](#) [7694ADE04DS2X](#) [FE7C-FRC6S-M](#) [FX-305](#) [PM-R24-R](#)  
[Q45VR2FPQ](#) [13104RQD07](#) [E3JUXM4MN](#) [E3L2DC4](#) [E3S3LE21](#) [E3SDS20E21](#) [E3VDS70C43S](#) [E3XNM16](#) [BR23P](#) [HOA6563-001](#) [OJ-](#)  
[3307-30N8](#) [OS-311A-30](#) [P32013](#) [P34036](#) [P43004](#) [P60001](#) [PB10CNT15PO](#) [S14132](#) [935286-000](#) [S52101](#) [S56258](#) [FD-SN500](#) [FE7B-](#)  
[FDRB6-M](#) [SU-79](#) [T36342](#) [T40300](#) [T60001](#) [PD60CNX20BP](#) [FX-302-HY](#) [FZS](#) [PM-T64W](#) [PZ2-51P](#) [CX-491-P-J](#) [CYNUTX10](#) [UZB802](#)  
[UZB803](#) [UZFRG1](#) [UZFRG4](#) [UZFRT4](#) [UZFTT8](#) [XUM2BKCNL2T](#)