

## OY200120

### OPTICAL SENSORS • RING LIGHT BARRIERS

sensor optical, Ring sensor, 84x20x60mm, ring 20.6, 10-35V DC, PNP NO, Connector M12 3pin, IP67, PA 6.6 (synthetic) Chrome-plated+Plastic, Infrared light



#### MECHANICAL FEATURES

Ambient temperature	0 °C ... 60 °C
Degree of protection (IP)	IP67
Design	Ring-shaped
Housing coating	Chrome-plated
Housing material	PA 6.6 (synthetic)
Material of optical surface	Plastic
Ring diameter	20.6 mm
Sensor height	84.5 mm
Sensor length	20 mm
Sensor width	60 mm
Version	Ring sensor

#### ELECTRICAL FEATURES

Connection to amplifier	-
No-load current	30 mA
Number of pins	3
Operating voltage	10 V ... 35 V
Rated switching current	200 mA
Scanning function	Dark switching
Setting procedure	Manual adjustment
Short-circuit protection	+
Suitable for safety functions	-
Time range	0.01 s ... 0.15 s
Type of electrical connection	Connector M12
Type of input voltage	DC
Type of switching function	Normally open contact
Type of switching output	PNP
Voltage drop	2 V
Voltage type	DC
With LED display	+
With time function	+

## OPTICAL FEATURES

Light source	Infrared light
Resolution	1.5 µm
Light beam form	Point

## OTHER FEATURES

Scope of delivery of the one-way system	Transmitter and receiver
Switch between static/dynamic	+

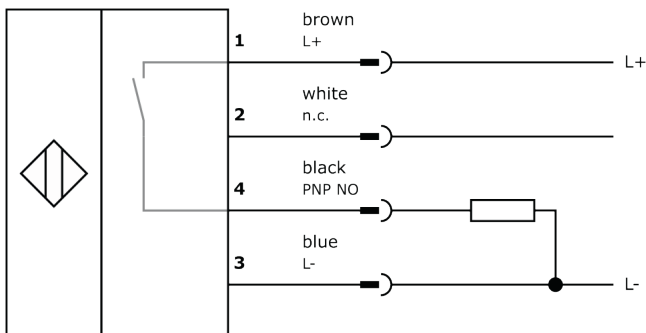
## Other

Packaging dimensions	77.0mm x 25.0mm x 123.0mm
Shipping weight	0.13kg
Tariff code	85365019

## Classification

ipf product group	111
eClass 8.0	27270901
eClass 9.0	27270901
eClass 9.1	27270901
ETIM-5.0	EC002716
ETIM-6.0	EC002716
ETIM-7.0	EC002716

## Connection



## Dimensional drawing

### Installation



Mounting / installation may only be carried out by a qualified electrician!

### Disposal



## Safety warnings

Before initial operation, please make sure to follow all safety instructions that may be provided in the product information. Never use these devices in applications where the safety of a person depends on their functionality. LED lighting systems can generate intensive UV radiation, which can damage your eyes in case of improper use. The manufacturer cannot be held responsible for damages that result from improper use or connection.

## X-ON Electronics

Largest Supplier of Electrical and Electronic Components

*Click to view similar products for [Photoelectric Sensors](#) category:*

*Click to view products by [IPF ELECTRONIC](#) manufacturer:*

Other Similar products are found below :

[7442AD2X5FRX](#) [EX-19B-LP](#) [7443AR0X5FRX](#) [7452AD4D4NNX](#) [F3WD052C5M](#) [7694ADE04DS2X](#) [FE7C-FRC6S-M](#) [FX-305](#) [PM-R24-R](#)  
[Q45VR2FPQ](#) [13104RQD07](#) [E3JUXM4MN](#) [E3L2DC4](#) [E3S3LE21](#) [E3SDS20E21](#) [E3VDS70C43S](#) [E3XNM16](#) [BR23P](#) [HOA6563-001](#) [OJ-](#)  
[3307-30N8](#) [OS-311A-30](#) [P32013](#) [P34036](#) [P43004](#) [P60001](#) [PB10CNT15PO](#) [S14132](#) [935286-000](#) [S52101](#) [S56258](#) [FD-SN500](#) [FE7B-](#)  
[FDRB6-M](#) [SU-79](#) [T36342](#) [T40300](#) [T60001](#) [PD60CNX20BP](#) [FX-302-HY](#) [FZS](#) [PM-T64W](#) [PZ2-51P](#) [CX-491-P-J](#) [CYNUTX10](#) [UZB802](#)  
[UZB803](#) [UZFRG1](#) [UZFRG4](#) [UZFRT4](#) [UZFTT8](#) [XUM2BKCNL2T](#)