

**PRODUCT:** luminescence diffuse reflection sensor

**DESIGN:** 38 15x48x38

- robust metal housing
- glass lens
- UV - LED
- active external light suppression
- auto collimation principle for a safe function over the whole operating distance
- short-circuit and reverse polarity protection
- rotatable M12-connector

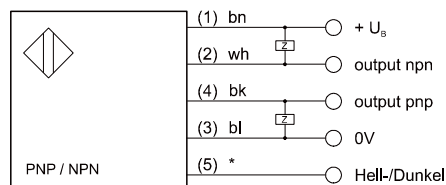


**technical data**

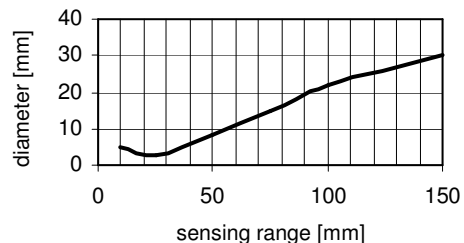
operating voltage	10 ... 30V DC
residual ripple	≤ 15%
no load current	≤ 35mA
switching output	pnp- and npn-transistor output
signal voltage high / low	≥ (U <sub>B</sub> -2V) / ≤ 2V
current-carrying capacity	100mA
function	light-on mode (dark-on mode at +U <sub>B</sub> on PIN 5)
sensitivity adjustment	12-ganged-potentiometer
max. sampling frequency	1.5kHz
power-on delay time	100msec
typical limit sensing range	0 ... 150mm (w/o stand-by)
light source	LED, UV, 380nm, pulsed
pulse time	10µsec
angle of beam spread	220mrad
optical power	≤ 0,75mW
average life (at 25 °C)	100.000h
status display	LED yellow (object recognized)
ambient temperature	-20 ... +60°
VDE-protection class	II, protective isolation
system of protection (EN 60529)	IP 67
electric connection	rotatable M12-connector, 5-pin

**electric connection**

**typical beam spot size**



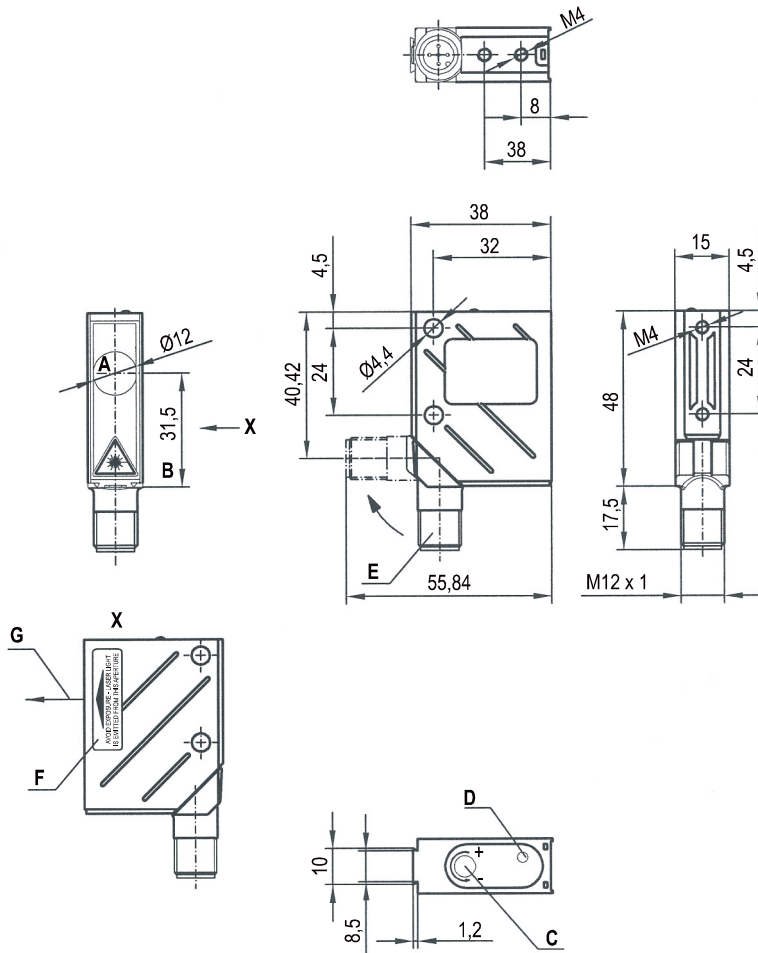
bn = braun (brown), wh = weiß (white)  
 bk = schwarz (black), bl = blau (blue)  
 \* for VK200621: gn/ye = green/yellow  
 \* for VK205621: gr = grey  
 terminal markings of the cable socket in clamps



The light-on mode is active when PIN 5 is not assigned connected with 0V.  
 The dark-on mode is active when PIN 5 is connected with +U<sub>B</sub>.

### dimensional drawing

### notes



LED-STRAHLUNG  
NICHT DIREKT MIT OPTISCHEN  
INSTRUMENTEN BETRACHTEN

Max. Leistung: 0,75mW  
Impulsdauer: 10µs  
Wellenlänge: 380nm

LED KLASSE 1M  
DIN EN 60825 - 1:2003 - 10

LASER RADIATION  
DO NOT VIEW DIRECTLY  
WITH OPTICAL INSTRUMENTS

Maximum Output: 0,75mW  
Pulse Duration: 10µs  
Wavelength: 380nm

CLASS 1M LASER PRODUCT  
EN 60825 - 1:2003 - 10

▲  
AVOIE EXPOSURE - LASER LIGHT  
IS EMITTED FROM THIS APERTURE

- A transmitter and receiver
- B optical axis
- C control element
- D status display (yellow LED)
- E M12-connector, 90° rotatable
- F position for warning sign
- G light emission

article-no.	luminescence detection of
<b>OY380520</b>	blue/colorless
	red
	yellow
	yellow-green
<b>OY380521</b>	red

accessories	bracket	<b>AY000071</b>	
	profile mounting	<b>AY000072</b>	
	screw mounting	<b>AY000073</b>	
	fitting cable sockets	not shielded	e.g. <b>VK200621</b> (angular) or <b>VK200625</b> (straight)
		shielded	e.g. <b>VK205621</b> (angular) or <b>VK205625</b> (straight)

**Warning:** Never use this devices in applications where the safety of a person depends on their functionality.

## X-ON Electronics

Largest Supplier of Electrical and Electronic Components

*Click to view similar products for [Photoelectric Sensors](#) category:*

*Click to view products by [IPF ELECTRONIC](#) manufacturer:*

Other Similar products are found below :

[7442AD2X5FRX](#) [EX-19B-LP](#) [7443AR0X5FRX](#) [7452AD4D4NNX](#) [F3WD052C5M](#) [7694ADE04DS2X](#) [FE7C-FRC6S-M](#) [FX-305](#) [PM-R24-R](#)  
[Q45VR2FPQ](#) [13104RQD07](#) [E3JUXM4MN](#) [E3L2DC4](#) [E3S3LE21](#) [E3SDS20E21](#) [E3VDS70C43S](#) [E3XNM16](#) [BR23P](#) [HOA6563-001](#) [OJ-](#)  
[3307-30N8](#) [OS-311A-30](#) [P32013](#) [P34036](#) [P43004](#) [P60001](#) [PB10CNT15PO](#) [S14132](#) [935286-000](#) [S52101](#) [S56258](#) [FD-SN500](#) [FE7B-](#)  
[FDRB6-M](#) [SU-79](#) [T36342](#) [T40300](#) [T60001](#) [PD60CNX20BP](#) [FX-302-HY](#) [FZS](#) [PM-T64W](#) [PZ2-51P](#) [CX-491-P-J](#) [CYNUTX10](#) [UZB802](#)  
[UZB803](#) [UZFRG1](#) [UZFRG4](#) [UZFRT4](#) [UZFTT8](#) [XUM2BKCNL2T](#)