

PE120121

LASER SENSORS • THROUGH-BEAM SENSORS RECEIVERS

sensor laser, Through-beam sensor receiver, M12x1 75long, aperture Ø1mm, Sn: 5m, 12-32V DC, PNP/NPN Push-pull, 0-10V, Connector M12 4pin, IP67, Brass Nickel-plated+Plastic PK, Polarity free red light



MECHANICAL FEATURES

Ambient temperature	-20 °C ... 50 °C
Aperture diameter	1 mm
Degree of protection (IP)	IP67
Design	Cylinder, screw-thread
Heavy soiling	+
Housing coating	Nickel-plated
Housing material	Brass
Material of optical surface	Plastic PK
Sensor length	75 mm
Storage temperature	-20 °C ... 85 °C
Thread length	45 mm
Thread pitch	1 mm
Thread size, metric	12
Version	Through-beam sensor receiver

ELECTRICAL FEATURES

Connection to amplifier	-
Measuring range	5 m
No-load current	30 mA
No-load current, receiver	30 mA
Number of pins	4
Operating voltage	12 V ... 32 V
Rated switching current	100 mA
Rated switching distance	5000 mm
Relative repeat accuracy	20 µm
Reverse polarity protection	+
Scanning function	Light-/dark-on mode
Short-circuit protection	+
Suitable for safety functions	-
Switching frequency	25000 Hz
Type of analog output	0 V ... 10 V
Type of electrical connection	Connector M12
Type of input voltage	DC

ELECTRICAL FEATURES

Type of switching function	Push-pull
Type of switching output	PNP/NPN
Voltage drop	2 V
Voltage type	DC

OPTICAL FEATURES

Light source	Polarity free red light
Wavelength of the sensor	670 nm
Resolution	20 µm
Light beam form	Point
Filter	Interference filter

OTHER FEATURES

Scope of delivery of the one-way system	Receiver
---	----------

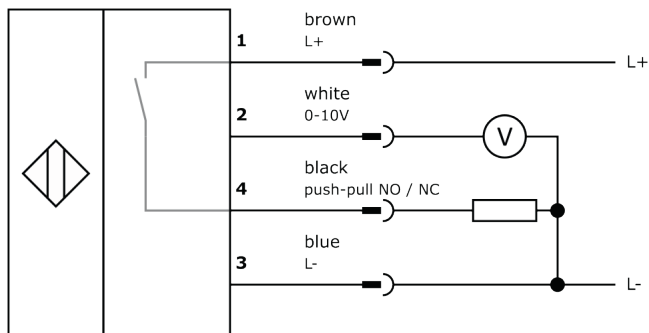
Other

Packaging dimensions	77.0mm x 25.0mm x 123.0mm
Shipping weight	0.04kg
Tariff code	85365019

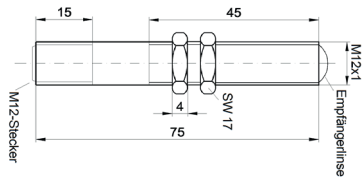
Classification

ipf product group	160
eClass 8.0	27270901
eClass 9.0	27270901
eClass 9.1	27270901
ETIM-5.0	EC002716
ETIM-6.0	EC002716
ETIM-7.0	EC002716

Connection



Dimensional drawing



Installation



Mounting / installation may only be carried out by a qualified electrician!

Disposal



Safety warnings

Before initial operation, please make sure to follow all safety instructions that may be provided in the product information. Never use these devices in applications where the safety of a person depends on their functionality. LED lighting systems can generate intensive UV radiation, which can damage your eyes in case of improper use. The manufacturer cannot be held responsible for damages that result from improper use or connection.

X-ON Electronics

Largest Supplier of Electrical and Electronic Components

Click to view similar products for [Photoelectric Sensors](#) category:

Click to view products by [IPF ELECTRONIC](#) manufacturer:

Other Similar products are found below :

[7442AD2X5FRX](#) [EX-19B-LP](#) [EX-19SB-PN](#) [7443AR0X5FRX](#) [7452AD4D4NNX](#) [7694ADE04DS2X](#) [FE7C-FRC6S-M](#) [FX-305](#) [PM-R24-R](#)
[Q45VR2FPQ](#) [13104RQD07](#) [E3JUXM4MN](#) [E3L2DC4](#) [E3S3LE21](#) [E3SCT11M1J03M](#) [E3SDS20E21](#) [E3VDS70C43S](#) [E3XNM16](#) [BR23P](#)
[HOA6563-001](#) [OJ-3307-30N8](#) [OS-311A-30](#) [P32013](#) [P34036](#) [P43004](#) [P60001](#) [PB10CNT15PO](#) [S14132](#) [935286-000](#) [S52101](#) [S56258](#) [FD-](#)
[SN500](#) [FE7B-FDRB6-M](#) [SU-79](#) [T36342](#) [T40300](#) [T60001](#) [PD60CNX20BP](#) [FX-302-HY](#) [FZS](#) [PM-T64W](#) [PZ2-51P](#) [CX-491-P-J](#) [CYNUTX10](#)
[UZB802](#) [UZB803](#) [UZFRG1](#) [UZFRG4](#) [UZFRT4](#) [UZFTT8](#)