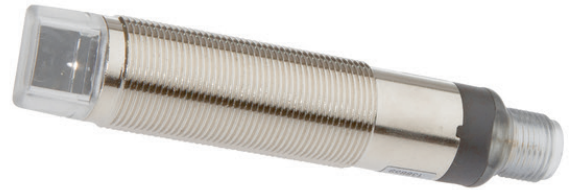


PE180428

LASER SENSORS • THROUGH-BEAM SENSORS RECEIVERS

sensor laser, Through-beam sensor receiver, M18x1 94long, aperture 16x1mm, Sn: 9m, 10-32V DC, PNP/NPN Anticoincidence, Connector M12 4pin, IP67, Brass Nickel-plated+Glass, Laser diode, red light



MECHANICAL FEATURES

Ambient temperature	-20 °C ... 50 °C
Degree of protection (IP)	IP67
Design	Cylinder, screw-thread
Housing coating	Nickel-plated
Housing material	Brass
Light inlet	Lateral
Material of optical surface	Glass
Sensor length	93.5 mm
Storage temperature (MAX)	85 °C
Thread length	60 mm
Thread pitch	1 mm
Thread size, metric	18
Version	Through-beam sensor receiver

ELECTRICAL FEATURES

Connection to amplifier	-
Measuring range	9 m
No-load current	30 mA
No-load current, receiver	30 mA
Number of pins	4
Operating voltage	10 V ... 32 V
Rated switching current	100 mA
Rated switching distance	60000 mm
Relative repeat accuracy	80 µm
Reverse polarity protection	+
Scanning function	Light-/dark-on mode
Setting procedure	Manual adjustment
Short-circuit protection	+
Suitable for safety functions	-
Switching frequency	5000 Hz
Type of electrical connection	Connector M12
Type of input voltage	DC
Type of switching function	Anticoincidence

ELECTRICAL FEATURES

Type of switching output	PNP/NPN
Voltage drop	2 V
Voltage type	DC
With LED display	+

OPTICAL FEATURES

Light source	Laser diode, red light
Wavelength of the sensor	650 nm
Resolution	80 µm
Light beam form	Point
Filter	Interference filter
Aperture length	16 mm
Aperture width	1 mm

OTHER FEATURES

Scope of delivery of the one-way system	Receiver
---	----------

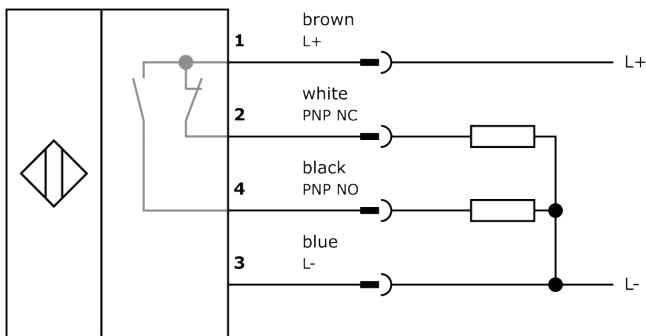
Other

Packaging dimensions	77.0mm x 25.0mm x 123.0mm
Shipping weight	0.08kg
Tariff code	85365019

Classification

ipf product group	160
eClass 8.0	27270901
eClass 9.0	27270901
eClass 9.1	27270901
ETIM-5.0	EC002716
ETIM-6.0	EC002716
ETIM-7.0	EC002716

Connection



Dimensional drawing

Installation



Mounting / installation may only be carried out by a qualified electrician!

Disposal



Safety warnings

Before initial operation, please make sure to follow all safety instructions that may be provided in the product information.

Never use these devices in applications where the safety of a person depends on their functionality.

LED lighting systems can generate intensive UV radiation, which can damage your eyes in case of improper use. The manufacturer cannot be held responsible for damages that result from improper use or connection.

X-ON Electronics

Largest Supplier of Electrical and Electronic Components

Click to view similar products for [Photoelectric Sensors](#) category:

Click to view products by [IPF ELECTRONIC](#) manufacturer:

Other Similar products are found below :

[7442AD2X5FRX](#) [EX-19B-LP](#) [EX-19SB-PN](#) [7443AR0X5FRX](#) [7452AD4D4NNX](#) [7694ADE04DS2X](#) [FE7C-FRC6S-M](#) [FX-305](#) [PM-R24-R](#)
[Q45VR2FPQ](#) [13104RQD07](#) [E3JUXM4MN](#) [E3L2DC4](#) [E3S3LE21](#) [E3SCT11M1J03M](#) [E3SDS20E21](#) [E3VDS70C43S](#) [E3XNM16](#) [BR23P](#)
[HOA6563-001](#) [OJ-3307-30N8](#) [OS-311A-30](#) [P32013](#) [P34036](#) [P43004](#) [P60001](#) [PB10CNT15PO](#) [S14132](#) [935286-000](#) [S52101](#) [S56258](#) [FD-](#)
[SN500](#) [FE7B-FDRB6-M](#) [SU-79](#) [T36342](#) [T40300](#) [T60001](#) [PD60CNX20BP](#) [FX-302-HY](#) [FZS](#) [PM-T64W](#) [PZ2-51P](#) [CX-491-P-J](#) [CYNUTX10](#)
[UZB802](#) [UZB803](#) [UZFRG1](#) [UZFRG4](#) [UZFRT4](#) [UZFTT8](#)