

PGSI0040

LASER SENSORS • FORKED LIGHT BARRIER

sensor laser, fork, 200x16x115mm, fork width 150mm, 12-32V DC, 1x PNP/NPN NO (NO), 0-10 V, Connector M12 4pin, IP67, Aluminum+Glass, Red light, 25kHz, Manual adjustment



MECHANICAL FEATURES

Ambient temperature	-20 °C ... 50 °C
Degree of protection (IP)	IP67
Design	Cuboid
Diameter detection	+
Fork depth	80 mm
Fork light barrier design	Furcate
Fork width	150 mm
Housing material	Aluminum
Installation bracket	-
Material of optical surface	Glass
Sensor height	200 mm
Sensor length	16 mm
Sensor width	115 mm

ELECTRICAL FEATURES

Analog output 0 V ... 10 V	+
Analog output 4 mA ... 20 mA	-
Connection to amplifier	-
Decay time	0.02 ms
Dynamic switching output	-
Equipment protection class	Protection class 3
Measurement of light beam coverage	+
No-load current	60 mA
Number of pins	4
Number of switching outputs	1
Operating voltage	12 V ... 32 V
Rated switching current	100 mA
Response time	0.02 ms
Reverse polarity protection	+
Scanning function	Light-/dark-on mode
Setting procedure	Manual adjustment
Short-circuit protection	+
Switching frequency	25000 Hz

ELECTRICAL FEATURES

Type of analog output	0-10 V
Type of electrical connection	Connector M12
Type of switching function	Normally open contact (NO)
Type of switching output	PNP/NPN
Type of the forked light barrier	Standard
Voltage type	DC
With communication interface, analog	-
With communication interface, RS-232	-
With other analog output	-
With time function	-

OPTICAL FEATURES

Light beam form	Line
Aperture length	9.5 mm
Aperture width	0.8 mm
Laser class	Class 1
Pulsed light source	-

OTHER FEATURES

Edge control	+
Feeding technology	+

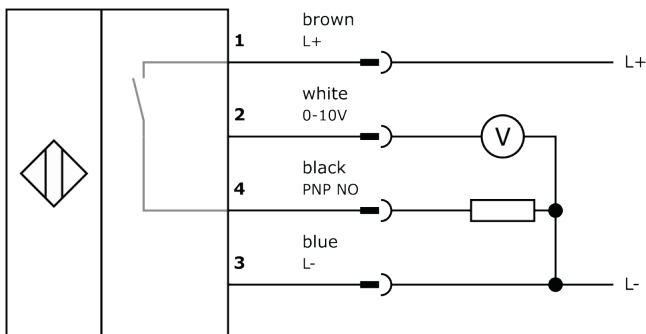
Other

Packaging dimensions	230mm x 61.0mm x 290mm
Shipping weight	0.49kg
Tariff code	85365019

Classification

ipf product group	705
eClass 8.0	27270909
eClass 9.0	27270909
eClass 9.1	27270909
ETIM-5.0	EC002720
ETIM-6.0	EC002720
ETIM-7.0	EC002720

Connection



Dimensional drawing

Installation



Mounting / installation may only be carried out by a qualified electrician!

Disposal



Safety warnings

Before initial operation, please make sure to follow all safety instructions that may be provided in the product information.

Never use these devices in applications where the safety of a person depends on their functionality.

LED lighting systems can generate intensive UV radiation, which can damage your eyes in case of improper use. The manufacturer cannot be held responsible for damages that result from improper use or connection.

X-ON Electronics

Largest Supplier of Electrical and Electronic Components

Click to view similar products for [Photoelectric Sensors](#) category:

Click to view products by [IPF ELECTRONIC](#) manufacturer:

Other Similar products are found below :

[7442AD2X5FRX](#) [EX-19B-LP](#) [EX-19SB-PN](#) [7443AR0X5FRX](#) [7452AD4D4NNX](#) [7694ADE04DS2X](#) [FE7C-FRC6S-M](#) [FX-305](#) [PM-R24-R](#)
[Q45VR2FPQ](#) [13104RQD07](#) [E3JUXM4MN](#) [E3L2DC4](#) [E3S3LE21](#) [E3SCT11M1J03M](#) [E3SDS20E21](#) [E3VDS70C43S](#) [E3XNM16](#) [BR23P](#)
[HOA6563-001](#) [OJ-3307-30N8](#) [OS-311A-30](#) [P32013](#) [P34036](#) [P43004](#) [P60001](#) [PB10CNT15PO](#) [S14132](#) [935286-000](#) [S52101](#) [S56258](#) [FD-](#)
[SN500](#) [FE7B-FDRB6-M](#) [SU-79](#) [T36342](#) [T40300](#) [T60001](#) [PD60CNX20BP](#) [FX-302-HY](#) [FZS](#) [PM-T64W](#) [PZ2-51P](#) [CX-491-P-J](#) [CYNUTX10](#)
[UZB802](#) [UZB803](#) [UZFRG1](#) [UZFRG4](#) [UZFRT4](#) [UZFTT8](#)