

## PR170420

### LASER SENSORS • RETRO-REFLECTIVE SENSORS

sensor laser, reflective, 50x50x15mm, Laser diode, red light, Point, Sn: 11000, 10-30V DC, PNP Anticoincidence, Connector M12 4pin 2m, IP67, Zinc die-cast+Glass, With polarizing filter



#### MECHANICAL FEATURES

Ambient temperature	-10 °C ... 50 °C
Cable length	2 m
Degree of protection (IP)	IP67
Design	Cuboid
Housing material	Zinc die-cast
Increased ambient temperatures >70°C	-
Material of optical surface	Glass
Number of cores	4
Reflector included in the scope of delivery	-
Sensor height	50 mm
Sensor length	50 mm
Sensor width	15.4 mm
Volume	Medium

#### ELECTRICAL FEATURES

Alarm output	-
Decay time	0.1 ms
Function test	-
Interference suppression	-
Laser power	0.4 mW
Max. switching distance	11000 mm
No-load current	70 mA
Number of pins	4
Operating voltage	10 V ... 30 V
Rated switching current	200 mA
Rated switching distance	11000 mm
Relative repeat accuracy	1.5 mm
Response time	0.1 ms
Reverse polarity protection	+
Scanning function	Light-/dark-on mode
Short-circuit protection	+
Type of electrical connection	Connector M12
Type of input voltage	DC

## ELECTRICAL FEATURES

Type of switching function	Anticoincidence
Type of switching output	PNP
Voltage drop	2 V
Voltage type	DC
With LED display	+
With polarizing filter	+
With time function	-

## OPTICAL FEATURES

Light source	Laser diode, red light
Wavelength of the sensor	650 nm
Resolution	5 mm
Light beam form	Point
For transparent objects	-
Laser focus distance	400 mm
Laser class	EV006626

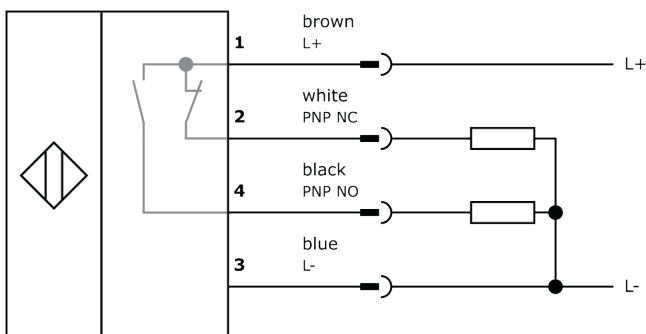
## Other

Packaging dimensions	77.0mm x 25.0mm x 123.0mm
Shipping weight	0.12kg
Tariff code	85365019

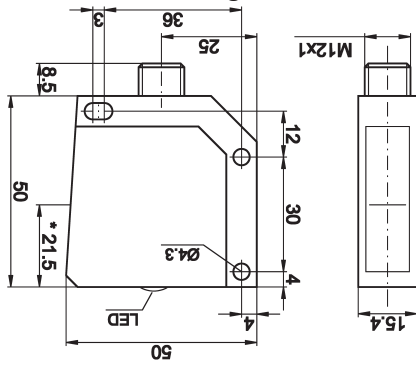
## Classification

ipf product group	160
eClass 8.0	27270902
eClass 9.0	27270902
eClass 9.1	27270902
ETIM-5.0	EC002717
ETIM-6.0	EC002717
ETIM-7.0	EC002717

## Connection



## Dimensional drawing



## Installation



Mounting / installation may only be carried out by a qualified electrician!

## Disposal



## Safety warnings

Before initial operation, please make sure to follow all safety instructions that may be provided in the product information. Never use these devices in applications where the safety of a person depends on their functionality. LED lighting systems can generate intensive UV radiation, which can damage your eyes in case of improper use. The manufacturer cannot be held responsible for damages that result from improper use or connection.

## X-ON Electronics

Largest Supplier of Electrical and Electronic Components

*Click to view similar products for [Photoelectric Sensors](#) category:*

*Click to view products by [IPF ELECTRONIC](#) manufacturer:*

Other Similar products are found below :

[7442AD2X5FRX](#) [EX-19B-LP](#) [EX-19SB-PN](#) [7443AR0X5FRX](#) [7452AD4D4NNX](#) [7694ADE04DS2X](#) [FE7C-FRC6S-M](#) [FX-305](#) [PM-R24-R](#)  
[Q45VR2FPQ](#) [13104RQD07](#) [E3JUXM4MN](#) [E3L2DC4](#) [E3S3LE21](#) [E3SCT11M1J03M](#) [E3SDS20E21](#) [E3VDS70C43S](#) [E3XNM16](#) [BR23P](#)  
[HOA6563-001](#) [OJ-3307-30N8](#) [OS-311A-30](#) [P32013](#) [P34036](#) [P43004](#) [P60001](#) [PB10CNT15PO](#) [S14132](#) [935286-000](#) [S52101](#) [S56258](#) [FD-](#)  
[SN500](#) [FE7B-FDRB6-M](#) [SU-79](#) [T36342](#) [T40300](#) [T60001](#) [PD60CNX20BP](#) [FX-302-HY](#) [FZS](#) [PM-T64W](#) [PZ2-51P](#) [CX-491-P-J](#) [CYNUTX10](#)  
[UZB802](#) [UZB803](#) [UZFRG1](#) [UZFRG4](#) [UZFRT4](#) [UZFTT8](#)