

PR180424

LASER SENSORS • RETRO-REFLECTIVE SENSORS

sensor laser, reflective, M18x1 50long, Laser diode, red light, Point, Sn: 100-16000, 10-30V DC, PNP Anticoincidence, Connector M12 4pin, IP67, Brass Chrome-plated+PMMA, With polarizing filter



MECHANICAL FEATURES

Ambient temperature	-10 °C ... 50 °C
Degree of protection (IP)	IP67
Design	Cylinder, screw-thread
Housing coating	Chrome-plated
Housing material	Brass
Increased ambient temperatures >70°C	-
Material of optical surface	PMMA
Reflector included in the scope of delivery	-
Sensor diameter	18 mm
Sensor length	50 mm
Storage temperature	-25 °C ... 70 °C
Thread length	50 mm
Thread pitch	1 mm
Thread size, metric	18

ELECTRICAL FEATURES

Alarm output	-
Function test	-
Interference suppression	-
Laser power	0.4 mW
Max. switching distance	16000 mm
No-load current	35 mA
Number of pins	4
Operating voltage	10 V ... 30 V
Rated switching current	100 mA
Rated switching distance	16000 mm
Reverse polarity protection	+
Scanning function	Light-/dark-on mode
Short-circuit protection	+
Switching frequency	1500 Hz
Type of electrical connection	Connector M12
Type of input voltage	DC
Type of switching function	Anticoincidence

ELECTRICAL FEATURES

Type of switching output	PNP
Voltage drop	2 V
Voltage type	DC
With LED display	+
With polarizing filter	+
With time function	-

OPTICAL FEATURES

Light source	Laser diode, red light
Min. reflector distance	100 mm
Wavelength of the sensor	650 nm
Resolution	5 mm
Light beam form	Point
For transparent objects	-
Laser class	EV006626

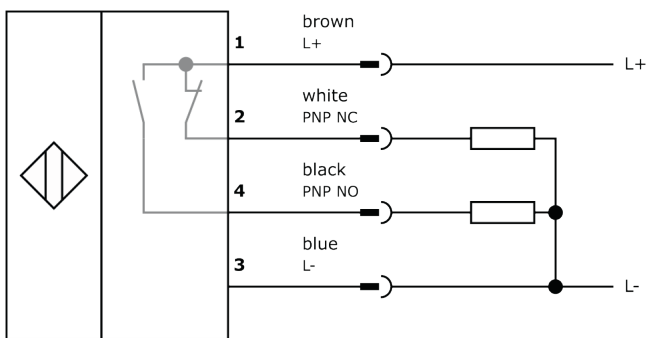
Other

Packaging dimensions	77.0mm x 25.0mm x 123.0mm
Shipping weight	0.08kg
Tariff code	85365019

Classification

ipf product group	160
eClass 8.0	27270902
eClass 9.0	27270902
eClass 9.1	27270902
ETIM-5.0	EC002717
ETIM-6.0	EC002717
ETIM-7.0	EC002717

Connection



Dimensional drawing

Installation



Mounting / installation may only be carried out by a qualified electrician!

Disposal



Safety warnings

Before initial operation, please make sure to follow all safety instructions that may be provided in the product information.

Never use these devices in applications where the safety of a person depends on their functionality.

LED lighting systems can generate intensive UV radiation, which can damage your eyes in case of improper use. The manufacturer cannot be held responsible for damages that result from improper use or connection.

X-ON Electronics

Largest Supplier of Electrical and Electronic Components

Click to view similar products for [Photoelectric Sensors](#) category:

Click to view products by [IPF ELECTRONIC](#) manufacturer:

Other Similar products are found below :

[7442AD2X5FRX](#) [EX-19B-LP](#) [EX-19SB-PN](#) [7443AR0X5FRX](#) [7452AD4D4NNX](#) [7694ADE04DS2X](#) [FE7C-FRC6S-M](#) [FX-305](#) [PM-R24-R](#)
[Q45VR2FPQ](#) [13104RQD07](#) [E3JUXM4MN](#) [E3L2DC4](#) [E3S3LE21](#) [E3SCT11M1J03M](#) [E3SDS20E21](#) [E3VDS70C43S](#) [E3XNM16](#) [BR23P](#)
[HOA6563-001](#) [OJ-3307-30N8](#) [OS-311A-30](#) [P32013](#) [P34036](#) [P43004](#) [P60001](#) [PB10CNT15PO](#) [S14132](#) [935286-000](#) [S52101](#) [S56258](#) [FD-](#)
[SN500](#) [FE7B-FDRB6-M](#) [SU-79](#) [T36342](#) [T40300](#) [T60001](#) [PD60CNX20BP](#) [FX-302-HY](#) [FZS](#) [PM-T64W](#) [PZ2-51P](#) [CX-491-P-J](#) [CYNUTX10](#)
[UZB802](#) [UZB803](#) [UZFRG1](#) [UZFRG4](#) [UZFRT4](#) [UZFTT8](#)