

## PR430470

### LASER SENSORS • RETRO-REFLECTIVE SENSORS

sensor laser, reflective, 15x32x43mm, Laser diode, red light, Point, Teach-In, Sn: 10000, 10-30V DC, PNP Anticoincidence, Connector M8 4pin, IP67, Plastic+PMMA



#### MECHANICAL FEATURES

Ambient temperature	-10 °C ... 50 °C
Degree of protection (IP)	IP67
Housing material	Plastic
Increased ambient temperatures >70°C	-
Material of optical surface	PMMA
Max. tightening torque	0.8 Nm
Reflector included in the scope of delivery	-
Sensor height	14.8 mm
Sensor length	32.5 mm
Sensor width	43 mm

#### ELECTRICAL FEATURES

Alarm output	-
Decay time	0.25 ms
Function test	-
Interference suppression	-
Max. switching distance	10000 mm
No-load current	35 mA
Number of pins	4
Operating voltage	10 V ... 30 V
Rated switching current	100 mA
Relative repeat accuracy	0.1 mm
Response time	0.25 ms
Reverse polarity protection	+
Scanning function	Light-/dark-on mode
Setting procedure	Teach-In
Short-circuit protection	+
Switching frequency	2000 Hz
Type of electrical connection	Connector M8
Type of input voltage	DC
Type of switching function	Anticoincidence
Type of switching output	PNP
Voltage drop	2.2 V

## ELECTRICAL FEATURES

Voltage type	DC
With LED display	+
With polarizing filter	-
With time function	-

## OPTICAL FEATURES

Light source	Laser diode, red light
Wavelength of the sensor	650 nm
Light beam form	Point
For transparent objects	-
Laser class	EV006626

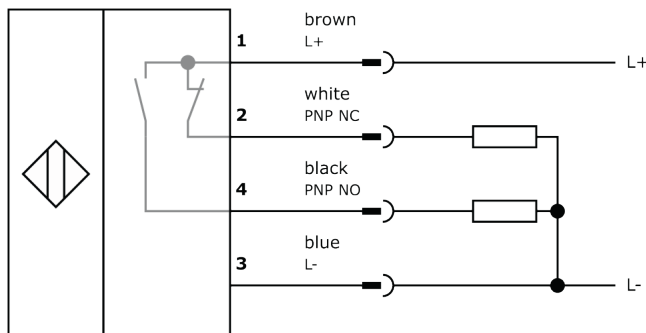
## Other

Packaging dimensions	77.0mm x 25.0mm x 123.0mm
Shipping weight	0.03kg
Tariff code	85365019

## Classification

ipf product group	160
eClass 8.0	27270902
eClass 9.0	27270902
eClass 9.1	27270902
ETIM-5.0	EC002717
ETIM-6.0	EC002717
ETIM-7.0	EC002717

## Connection



## Dimensional drawing

## Installation



Mounting / installation may only be carried out by a qualified electrician!

## Disposal



## Safety warnings

Before initial operation, please make sure to follow all safety instructions that may be provided in the product information. Never use these devices in applications where the safety of a person depends on their functionality. LED lighting systems can generate intensive UV radiation, which can damage your eyes in case of improper use. The manufacturer cannot be held responsible for damages that result from improper use or connection.



## X-ON Electronics

Largest Supplier of Electrical and Electronic Components

*Click to view similar products for [Photoelectric Sensors](#) category:*

*Click to view products by [IPF ELECTRONIC](#) manufacturer:*

Other Similar products are found below :

[7442AD2X5FRX](#) [EX-19B-LP](#) [EX-19SB-PN](#) [7443AR0X5FRX](#) [7452AD4D4NNX](#) [7694ADE04DS2X](#) [FE7C-FRC6S-M](#) [FX-305](#) [PM-R24-R](#)  
[Q45VR2FPQ](#) [13104RQD07](#) [E3JUXM4MN](#) [E3L2DC4](#) [E3S3LE21](#) [E3SCT11M1J03M](#) [E3SDS20E21](#) [E3VDS70C43S](#) [E3XNM16](#) [BR23P](#)  
[HOA6563-001](#) [OJ-3307-30N8](#) [OS-311A-30](#) [P32013](#) [P34036](#) [P43004](#) [P60001](#) [PB10CNT15PO](#) [S14132](#) [935286-000](#) [S52101](#) [S56258](#) [FD-](#)  
[SN500](#) [FE7B-FDRB6-M](#) [SU-79](#) [T36342](#) [T40300](#) [T60001](#) [PD60CNX20BP](#) [FX-302-HY](#) [FZS](#) [PM-T64W](#) [PZ2-51P](#) [CX-491-P-J](#) [CYNUTX10](#)  
[UZB802](#) [UZB803](#) [UZFRG1](#) [UZFRG4](#) [UZFRT4](#) [UZFTT8](#)