

PR98E166

Retro-reflective laser sensor



- / plastic housing
- / high switching frequency
- / short-circuit and reverse polarity protected
- / LED-display
- / M8-connector, 4-pin

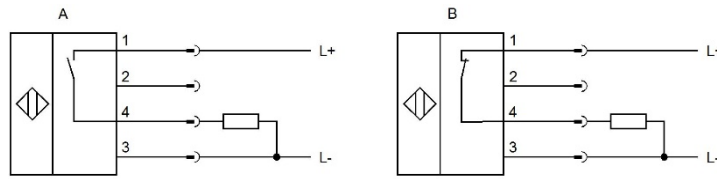
range up to 10m
laser protection class 1



Technical data

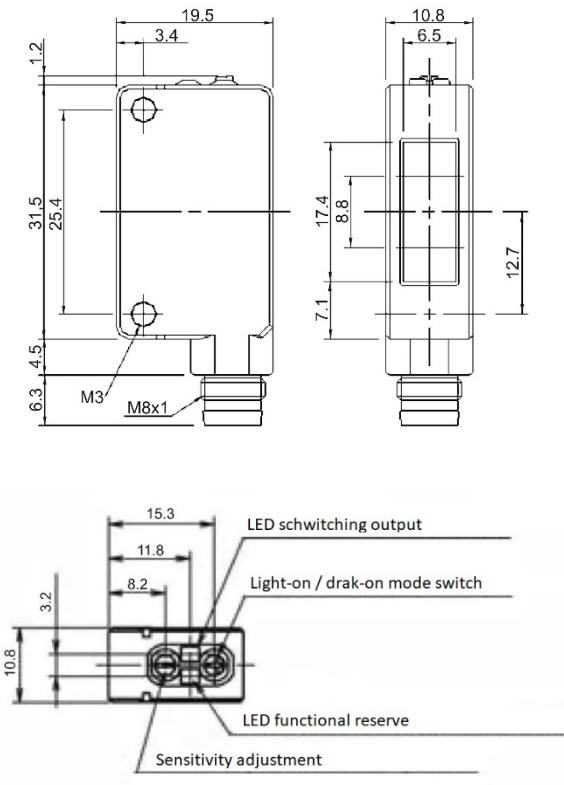
dimensions	11 x 43.5 x 20mm
operating voltage	10 ... 30V DC
residual ripple	< 10%
voltage drop	< 1.5V
output current (max. load)	100mA
current consumption (w/o load)	max. 35mA
response time	250µs
range	0.3 ... 10m (with reflector AO000014)
transmitting element	laser diode, red light
polarization filter	+
min. object size	Ø6mm, opaque, at 3m distance to reflector
output	pnp
output function	NO / NC switchable
adjustment (sensitivity)	trimmer, 270°
switching frequency	2kHz
functional reserve	LED green
switching state display	LED yellow
protection class (EN 60529)	IP67
temperature (operating)	-25 ... +55°C
temperature (storage)	-25 ... +70°C
insulation strength	500V AC, 1min betw. electronics and housing
insulation resistance	>20MΩ, 500V DC betw. electronics and housing
vibration resistance	0.5mm amplitude, 10...55Hz frequency in each axis (EN60088-2-6)
shock resistance	11ms (30G), 6 shocks for each axis (EN60068-2-27)
max. tightening torque	0.5Nm
connection	M8-connector, 4-pin
material (housing)	PBT (LED-coverage PC)
material (front screen)	PMMA
connection accessories	e.g. VK200375
mounting accessories	AY000118

Connection:



colors: 1 = BN (brown), 2 = WH (white), 3 = BU (blue), 4 = BK (black)
 functions A: 1 = L+, 2 = n.c., 3 = L-, 4 = pnp, no
 functions B: 1 = L+, 2 = n.c., 3 = L-, 4 = pnp, nc

Dimensional drawing:



SAFETY WARNINGS

Before initial operation, please make sure to follow all safety instructions that may be provided in the product information!

Never use these articles in applications where the safety of a person depends on their functionality.

X-ON Electronics

Largest Supplier of Electrical and Electronic Components

Click to view similar products for [Photoelectric Sensors](#) category:

Click to view products by [IPF ELECTRONIC](#) manufacturer:

Other Similar products are found below :

[7442AD2X5FRX](#) [EX-19B-LP](#) [EX-19SB-PN](#) [7443AR0X5FRX](#) [7452AD4D4NNX](#) [7694ADE04DS2X](#) [FE7C-FRC6S-M](#) [FX-305](#) [PM-R24-R](#)
[Q45VR2FPQ](#) [13104RQD07](#) [E3JUXM4MN](#) [E3L2DC4](#) [E3S3LE21](#) [E3SCT11M1J03M](#) [E3SDS20E21](#) [E3VDS70C43S](#) [E3XNM16](#) [BR23P](#)
[HOA6563-001](#) [OJ-3307-30N8](#) [OS-311A-30](#) [P32013](#) [P34036](#) [P43004](#) [P60001](#) [PB10CNT15PO](#) [S14132](#) [935286-000](#) [S52101](#) [S56258](#) [FD-](#)
[SN500](#) [FE7B-FDRB6-M](#) [SU-79](#) [T36342](#) [T40300](#) [T60001](#) [PD60CNX20BP](#) [FX-302-HY](#) [FZS](#) [PM-T64W](#) [PZ2-51P](#) [CX-491-P-J](#) [CYNUTX10](#)
[UZB802](#) [UZB803](#) [UZFRG1](#) [UZFRG4](#) [UZFRT4](#) [UZFTT8](#)