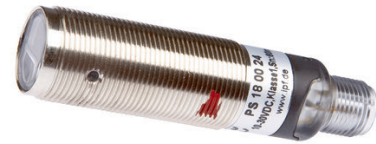


PS180024

LASER SENSORS • THROUGH-BEAM SENSORS TRANSMITTERS

sensor laser, Through-beam sensor transmitter, M18x1 72long, Sn: 60m, 10-30V DC, Connector M12 4pin, IP67, Brass Chrome-plated+PMMA, Laser diode, red light



MECHANICAL FEATURES

Ambient temperature	-10 °C ... 50 °C
Degree of protection (IP)	IP67
Design	Cylinder, screw-thread
Housing coating	Chrome-plated
Housing material	Brass
Material of optical surface	PMMA
Sensor length	71.5 mm
Storage temperature	-25 °C ... 70 °C
Thread length	60 mm
Thread pitch	1 mm
Thread size, metric	18
Version	Through-beam sensor transmitter

ELECTRICAL FEATURES

Connection to amplifier	-
Function test	+
Laser power	1 mW
Measuring range	60 m
No-load current	30 mA
No-load current, transmitter	30 mA
Number of pins	4
Operating voltage	10 V ... 30 V
Reverse polarity protection	+
Suitable for safety functions	-
Type of electrical connection	Connector M12
Type of input voltage	DC
Voltage type	DC
With LED display	+

OPTICAL FEATURES

Light source	Laser diode, red light
Wavelength of the sensor	650 nm
Light beam form	Point

OPTICAL FEATURES

Laser class EV006626

OTHER FEATURES

Scope of delivery of the one-way system	Transmitter
---	-------------

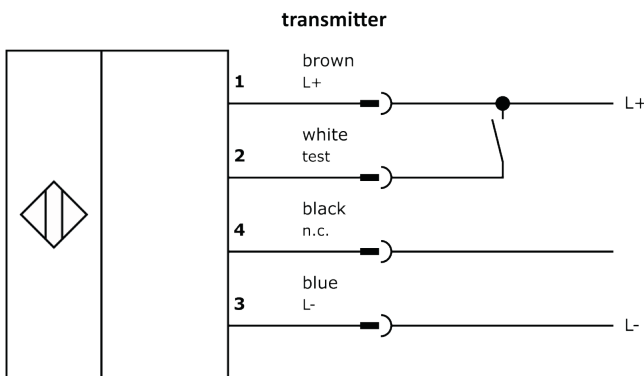
Other

Packaging dimensions	77.0mm x 25.0mm x 123.0mm
Shipping weight	0.07kg
Tariff code	85365019

Classification

ipf product group	160
eClass 8.0	27270901
eClass 9.0	27270901
eClass 9.1	27270901
ETIM-5.0	EC002716
ETIM-6.0	EC002716
ETIM-7.0	EC002716

Connection



Dimensional drawing

Installation



Mounting / installation may only be carried out by a qualified electrician!

Disposal



Safety warnings

Before initial operation, please make sure to follow all safety instructions that may be provided in the product information. Never use these devices in applications where the safety of a person depends on their functionality. LED lighting systems can generate intensive UV radiation, which can damage your eyes in case of improper use. The manufacturer cannot be held responsible for damages that result from improper use or connection.

X-ON Electronics

Largest Supplier of Electrical and Electronic Components

Click to view similar products for [Photoelectric Sensors](#) category:

Click to view products by [IPF ELECTRONIC](#) manufacturer:

Other Similar products are found below :

[7442AD2X5FRX](#) [EX-19B-LP](#) [EX-19SB-PN](#) [7443AR0X5FRX](#) [7452AD4D4NNX](#) [7694ADE04DS2X](#) [FE7C-FRC6S-M](#) [FX-305](#) [PM-R24-R](#)
[Q45VR2FPQ](#) [13104RQD07](#) [E3JUXM4MN](#) [E3L2DC4](#) [E3S3LE21](#) [E3SCT11M1J03M](#) [E3SDS20E21](#) [E3VDS70C43S](#) [E3XNM16](#) [BR23P](#)
[HOA6563-001](#) [OJ-3307-30N8](#) [OS-311A-30](#) [P32013](#) [P34036](#) [P43004](#) [P60001](#) [PB10CNT15PO](#) [S14132](#) [935286-000](#) [S52101](#) [S56258](#) [FD-](#)
[SN500](#) [FE7B-FDRB6-M](#) [SU-79](#) [T36342](#) [T40300](#) [T60001](#) [PD60CNX20BP](#) [FX-302-HY](#) [FZS](#) [PM-T64W](#) [PZ2-51P](#) [CX-491-P-J](#) [CYNUTX10](#)
[UZB802](#) [UZB803](#) [UZFRG1](#) [UZFRG4](#) [UZFRT4](#) [UZFTT8](#)