

PT140400

LASER SENSORS • DIFFUSE REFLECTION SENSORS WITH BACKGROUND SUPPRESSION

sensor laser, diffuse-reflection sensor, 27x16x12mm, Sn: 22-130, 11-30V DC, 2x PNP NC/NO, Cable 2m PUR (Polyurethane), IP67, Plastic ASA+PMMA, 2kHz, Background suppression, Laser diode, red light, Point, Manual adjustment, test input



MECHANICAL FEATURES

Ambient temperature	-10 °C ... 50 °C
Cable length	2 m
Degree of protection (IP)	IP67
Design	Cuboid
Housing material	Plastic ASA
Material of cable sheath	PUR (Polyurethane)
Material of optical surface	PMMA
Max. tightening torque	0.5 Nm
Number of cores	4
Reflector included in the scope of delivery	-
Sensor height	27 mm
Sensor length	16.3 mm
Sensor width	12 mm
Volume	Small
Wire cross section	0.34 mm ²

ELECTRICAL FEATURES

Adjustment range	22 mm ... 130 mm
Analog output 0 mA ... 20 mA	-
Analog output 0 V ... 10 V	-
Analog output -10 V ... +10 V	-
Analog output 4 mA ... 20 mA	-
Function test	+
Laser power	1 mW
Max. switching distance	130 mm
No-load current	30 mA
Number of switching outputs	2
Operating voltage	11 V ... 30 V
Rated switching current	100 mA
Rated switching distance	130 mm
Relative repeat accuracy	0.2 mm
Reverse polarity protection	+
Scanning function	Light-/dark-on mode

ELECTRICAL FEATURES

Sensing range	22 mm ... 130 mm
Setting procedure	Manual adjustment
Short-circuit protection	+
Switching frequency	2000 Hz
Type of electrical connection	Cable
Type of switching function	Normally closed contact/normally open contact
Type of switching output	PNP
Voltage drop	1.8 V
Voltage type	DC
With LED display	+
With LED display (operation)	+
With LED display (signal)	+
With other analog output	-
With time function	-

OPTICAL FEATURES

Light source	Laser diode, red light
Light spot	0.03 mm ²
Wavelength of the sensor	650 nm
Triangulation	Background suppression
Resolution	0.2 mm
Light beam form	Point
Background suppression	+
Aperture	2.5 mm
Laser focus distance	40 mm
Laser class	EV006627

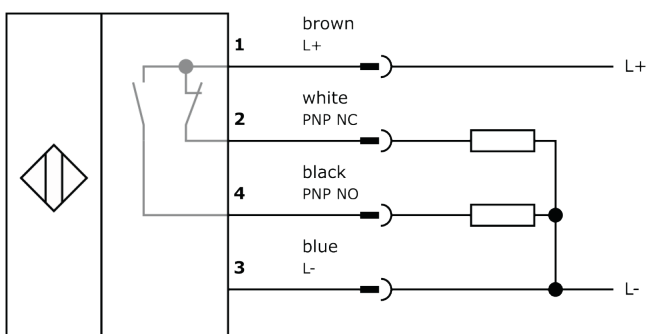
Other

Packaging dimensions	77.0mm x 25.0mm x 123.0mm
Shipping weight	0.06kg
Tariff code	85365019

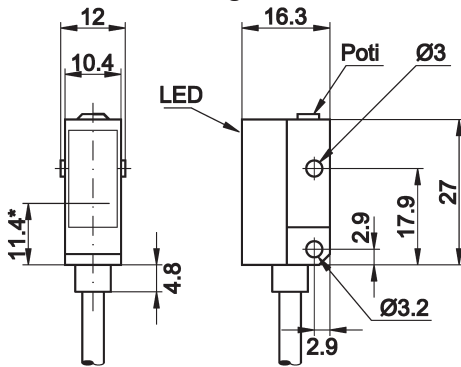
Classification

ipf product group	160
eClass 8.0	27270904
eClass 9.0	27270904
eClass 9.1	27270904
ETIM-5.0	EC002719
ETIM-6.0	EC002719
ETIM-7.0	EC002719

Connection



Dimensional drawing



* Senderachse

Installation



Mounting / installation may only be carried out by a qualified electrician!

Disposal



Safety warnings

Before initial operation, please make sure to follow all safety instructions that may be provided in the product information. Never use these devices in applications where the safety of a person depends on their functionality. LED lighting systems can generate intensive UV radiation, which can damage your eyes in case of improper use. The manufacturer cannot be held responsible for damages that result from improper use or connection.

X-ON Electronics

Largest Supplier of Electrical and Electronic Components

Click to view similar products for [Photoelectric Sensors](#) category:

Click to view products by [IPF ELECTRONIC](#) manufacturer:

Other Similar products are found below :

[7442AD2X5FRX](#) [EX-19B-LP](#) [EX-19SB-PN](#) [7443AR0X5FRX](#) [7452AD4D4NNX](#) [7694ADE04DS2X](#) [FE7C-FRC6S-M](#) [FX-305](#) [PM-R24-R](#)
[Q45VR2FPQ](#) [13104RQD07](#) [E3JUXM4MN](#) [E3L2DC4](#) [E3S3LE21](#) [E3SCT11M1J03M](#) [E3SDS20E21](#) [E3VDS70C43S](#) [E3XNM16](#) [BR23P](#)
[HOA6563-001](#) [OJ-3307-30N8](#) [OS-311A-30](#) [P32013](#) [P34036](#) [P43004](#) [P60001](#) [PB10CNT15PO](#) [S14132](#) [935286-000](#) [S52101](#) [S56258](#) [FD-](#)
[SN500](#) [FE7B-FDRB6-M](#) [SU-79](#) [T36342](#) [T40300](#) [T60001](#) [PD60CNX20BP](#) [FX-302-HY](#) [FZS](#) [PM-T64W](#) [PZ2-51P](#) [CX-491-P-J](#) [CYNUTX10](#)
[UZB802](#) [UZB803](#) [UZFRG1](#) [UZFRG4](#) [UZFRT4](#) [UZFTT8](#)