

PT140475

LASER SENSORS • DIFFUSE REFLECTION SENSORS WITH BACKGROUND SUPPRESSION

sensor laser, diffuse-reflection sensor, 27x16x12mm, Sn: 22-130, 11-30V DC, 2x PNP NC/NO, Connector M8 4pin, IP67, Plastic ASA+PMMA, 2kHz, Background suppression, Laser diode, red light, Line, Manual adjustment, test input



MECHANICAL FEATURES

Ambient temperature	-10 °C ... 50 °C
Degree of protection (IP)	IP67
Design	Cuboid
Housing material	Plastic ASA
Material of optical surface	PMMA
Max. tightening torque	0.5 Nm
Reflector included in the scope of delivery	-
Sensor height	27 mm
Sensor length	16.3 mm
Sensor width	12 mm
Volume	Small

ELECTRICAL FEATURES

Adjustment range	22 mm ... 130 mm
Analog output 0 mA ... 20 mA	-
Analog output 0 V ... 10 V	-
Analog output -10 V ... +10 V	-
Analog output 4 mA ... 20 mA	-
Function test	+
Laser power	1 mW
Max. switching distance	130 mm
No-load current	30 mA
Number of pins	4
Number of switching outputs	2
Operating voltage	11 V ... 30 V
Rated switching current	100 mA
Rated switching distance	130 mm
Relative repeat accuracy	0.2 mm
Reverse polarity protection	+
Scanning function	Light-/dark-on mode
Sensing range	22 mm ... 130 mm
Setting procedure	Manual adjustment
Short-circuit protection	+

ELECTRICAL FEATURES

Switching frequency	2000 Hz
Type of electrical connection	Connector M8
Type of switching function	Normally closed contact/normally open contact
Type of switching output	PNP
Voltage drop	1.8 V
Voltage type	DC
With LED display	+
With LED display (operation)	+
With LED display (signal)	+
With other analog output	-
With time function	-

OPTICAL FEATURES

Light source	Laser diode, red light
Light spot	0.03 mm ²
Wavelength of the sensor	650 nm
Triangulation	Background suppression
Resolution	0.2 mm
Light beam form	Line
Background suppression	+
Aperture	2.5 mm
Laser focus distance	40 mm
Laser class	EV006627

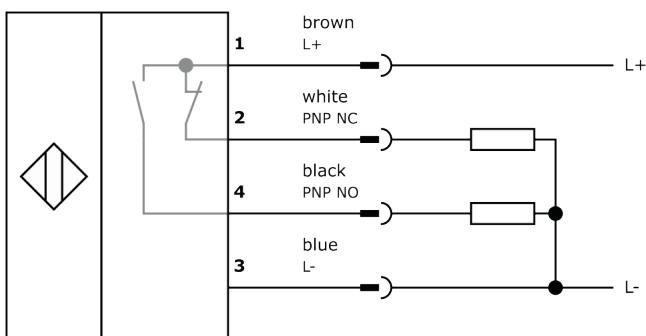
Other

Packaging dimensions	77.0mm x 25.0mm x 123.0mm
Shipping weight	
Tariff code	85365019

Classification

ipf product group	160
eClass 8.0	27270904
eClass 9.0	27270904
eClass 9.1	27270904
ETIM-5.0	EC002719
ETIM-6.0	EC002719
ETIM-7.0	EC002719

Connection



Dimensional drawing

Installation



Mounting / installation may only be carried out by a qualified electrician!

Disposal



Safety warnings

Before initial operation, please make sure to follow all safety instructions that may be provided in the product information.

Never use these devices in applications where the safety of a person depends on their functionality.

LED lighting systems can generate intensive UV radiation, which can damage your eyes in case of improper use. The manufacturer cannot be held responsible for damages that result from improper use or connection.

X-ON Electronics

Largest Supplier of Electrical and Electronic Components

Click to view similar products for [Photoelectric Sensors](#) category:

Click to view products by [IPF ELECTRONIC](#) manufacturer:

Other Similar products are found below :

[7442AD2X5FRX](#) [EX-19B-LP](#) [EX-19SB-PN](#) [7443AR0X5FRX](#) [7452AD4D4NNX](#) [7694ADE04DS2X](#) [FE7C-FRC6S-M](#) [FX-305](#) [PM-R24-R](#)
[Q45VR2FPQ](#) [13104RQD07](#) [E3JUXM4MN](#) [E3L2DC4](#) [E3S3LE21](#) [E3SCT11M1J03M](#) [E3SDS20E21](#) [E3VDS70C43S](#) [E3XNM16](#) [BR23P](#)
[HOA6563-001](#) [OJ-3307-30N8](#) [OS-311A-30](#) [P32013](#) [P34036](#) [P43004](#) [P60001](#) [PB10CNT15PO](#) [S14132](#) [935286-000](#) [S52101](#) [S56258](#) [FD-](#)
[SN500](#) [FE7B-FDRB6-M](#) [SU-79](#) [T36342](#) [T40300](#) [T60001](#) [PD60CNX20BP](#) [FX-302-HY](#) [FZS](#) [PM-T64W](#) [PZ2-51P](#) [CX-491-P-J](#) [CYNUTX10](#)
[UZB802](#) [UZB803](#) [UZFRG1](#) [UZFRG4](#) [UZFRT4](#) [UZFTT8](#)