

PT170400

LASER SENSORS • DIFFUSE REFLECTION SENSORS WITH BACKGROUND SUPPRESSION

sensor laser, diffuse-reflection sensor, 50x50x15mm, Sn: 25-300, 10-30V DC, 2x PNP NC/NO, Cable 2m PVC, IP67, Zinc die-cast+Glass, 0.8kHz, Background suppression, Laser diode, red light, Point, Manual adjustment



MECHANICAL FEATURES

Ambient temperature	-10 °C ... 50 °C
Cable length	2 m
Degree of protection (IP)	IP67
Design	Cuboid
Housing material	Zinc die-cast
Material of cable sheath	PVC
Material of optical surface	Glass
Number of cores	4
Reflector included in the scope of delivery	-
Sensor height	50 mm
Sensor length	50 mm
Sensor width	15.4 mm
Volume	Medium
Wire cross section	0.25 mm ²

ELECTRICAL FEATURES

Adjustment range	25 mm ... 300 mm
Analog output 0 mA ... 20 mA	-
Analog output 0 V ... 10 V	-
Analog output -10 V ... +10 V	-
Analog output 4 mA ... 20 mA	-
Decay time	0.6 ms
Interference suppression	+
Laser power	1 mW
Max. switching distance	300 mm
No-load current	35 mA
Number of switching outputs	2
Operating voltage	10 V ... 30 V
Rated switching current	200 mA
Rated switching distance	300 mm
Relative repeat accuracy	0.1 mm
Response time	0.6 ms
Reverse polarity protection	+

ELECTRICAL FEATURES

Scanning function	Light-/dark-on mode
Sensing range	25 mm ... 300 mm
Setting procedure	Manual adjustment
Short-circuit protection	+
Switching frequency	800 Hz
Type of electrical connection	Cable
Type of switching function	Normally closed contact/normally open contact
Type of switching output	PNP
Voltage drop	2 V
Voltage type	DC
With LED display	+
With LED display (operation)	+
With LED display (signal)	+
With other analog output	-
With time function	-

OPTICAL FEATURES

Light source	Laser diode, red light
Light spot	0.01 mm ²
Wavelength of the sensor	650 nm
Triangulation	Background suppression
Resolution	0.1 mm
Light beam form	Point
Background suppression	+
Laser focus distance	80 mm
Laser class	EV006627

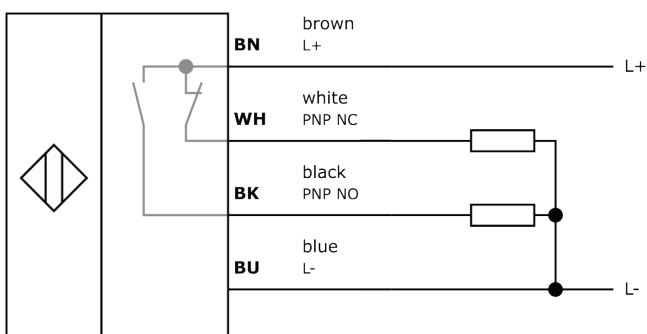
Other

Packaging dimensions	77.0mm x 25.0mm x 123.0mm
Shipping weight	0.17kg
Tariff code	85365019

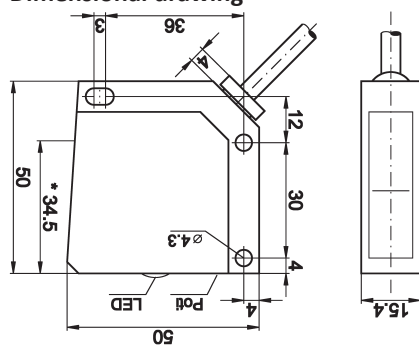
Classification

ipf product group	160
eClass 8.0	27270904
eClass 9.0	27270904
eClass 9.1	27270904
ETIM-5.0	EC002719
ETIM-6.0	EC002719
ETIM-7.0	EC002719

Connection



Dimensional drawing



Installation



Mounting / installation may only be carried out by a qualified electrician!

Disposal



Safety warnings

Before initial operation, please make sure to follow all safety instructions that may be provided in the product information. Never use these devices in applications where the safety of a person depends on their functionality. LED lighting systems can generate intensive UV radiation, which can damage your eyes in case of improper use. The manufacturer cannot be held responsible for damages that result from improper use or connection.

X-ON Electronics

Largest Supplier of Electrical and Electronic Components

Click to view similar products for [Photoelectric Sensors](#) category:

Click to view products by [IPF ELECTRONIC](#) manufacturer:

Other Similar products are found below :

[7442AD2X5FRX](#) [EX-19B-LP](#) [EX-19SB-PN](#) [7443AR0X5FRX](#) [7452AD4D4NNX](#) [7694ADE04DS2X](#) [FE7C-FRC6S-M](#) [FX-305](#) [PM-R24-R](#)
[Q45VR2FPQ](#) [13104RQD07](#) [E3JUXM4MN](#) [E3L2DC4](#) [E3S3LE21](#) [E3SCT11M1J03M](#) [E3SDS20E21](#) [E3VDS70C43S](#) [E3XNM16](#) [BR23P](#)
[HOA6563-001](#) [OJ-3307-30N8](#) [OS-311A-30](#) [P32013](#) [P34036](#) [P43004](#) [P60001](#) [PB10CNT15PO](#) [S14132](#) [935286-000](#) [S52101](#) [S56258](#) [FD-](#)
[SN500](#) [FE7B-FDRB6-M](#) [SU-79](#) [T36342](#) [T40300](#) [T60001](#) [PD60CNX20BP](#) [FX-302-HY](#) [FZS](#) [PM-T64W](#) [PZ2-51P](#) [CX-491-P-J](#) [CYNUTX10](#)
[UZB802](#) [UZB803](#) [UZFRG1](#) [UZFRG4](#) [UZFRT4](#) [UZFTT8](#)