

PT171420

LASER SENSORS • DIFFUSE REFLECTION SENSORS WITH BACKGROUND SUPPRESSION

sensor laser, diffuse-reflection sensor, 50x50x15mm, Sn: 25-300, 10-30V DC, 2x NPN, Connector M12 4pin, IP67, Zinc die-cast+Glass, Background suppression, Laser diode, red light, Point, Manual adjustment



MECHANICAL FEATURES

Degree of protection (IP)	IP67
Design	Cuboid
Housing material	Zinc die-cast
Material of optical surface	Glass
Reflector included in the scope of delivery	-
Sensor height	50 mm
Sensor length	50 mm
Sensor width	15.4 mm
Volume	Medium

ELECTRICAL FEATURES

Adjustment range	25 mm ... 300 mm
Analog output 0 mA ... 20 mA	-
Analog output 0 V ... 10 V	-
Analog output -10 V ... +10 V	-
Analog output 4 mA ... 20 mA	-
Decay time	0.6 ms
Laser power	1 mW
Max. switching distance	300 mm
Number of pins	4
Number of switching outputs	2
Operating voltage	10 V ... 30 V
Rated switching current	200 mA
Rated switching distance	300 mm
Response time	0.6 ms
Reverse polarity protection	+
Scanning function	Light-/dark-on mode
Sensing range	25 mm ... 300 mm
Setting procedure	Manual adjustment
Short-circuit protection	+
Type of electrical connection	Connector M12
Type of switching output	NPN
Voltage type	DC

ELECTRICAL FEATURES

With LED display	+
With other analog output	-
With time function	-

OPTICAL FEATURES

Light source	Laser diode, red light
Wavelength of the sensor	650 nm
Triangulation	Background suppression
Light beam form	Point
Background suppression	+
Laser focus distance	80 mm
Laser class	EV006627

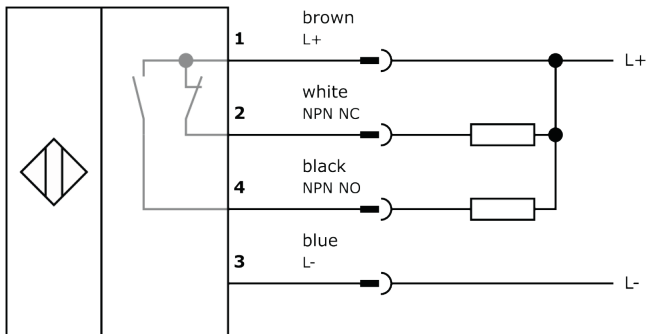
Other

Packaging dimensions	77.0mm x 25.0mm x 123.0mm
Shipping weight	0.13kg
Tariff code	85365019

Classification

ipf product group	160
eClass 8.0	27270904
eClass 9.0	27270904
eClass 9.1	27270904
ETIM-5.0	EC002719
ETIM-6.0	EC002719
ETIM-7.0	EC002719

Connection



Dimensional drawing

Installation



Mounting / installation may only be carried out by a qualified electrician!

Disposal



Safety warnings

Before initial operation, please make sure to follow all safety instructions that may be provided in the product information. Never use these devices in applications where the safety of a person depends on their functionality.

LED lighting systems can generate intensive UV radiation, which can damage your eyes in case of improper use. The manufacturer cannot be held responsible for damages that result from improper use or connection.

X-ON Electronics

Largest Supplier of Electrical and Electronic Components

Click to view similar products for [Photoelectric Sensors](#) category:

Click to view products by [IPF ELECTRONIC](#) manufacturer:

Other Similar products are found below :

[7442AD2X5FRX](#) [EX-19B-LP](#) [EX-19SB-PN](#) [7443AR0X5FRX](#) [7452AD4D4NNX](#) [7694ADE04DS2X](#) [FE7C-FRC6S-M](#) [FX-305](#) [PM-R24-R](#)
[Q45VR2FPQ](#) [13104RQD07](#) [E3JUXM4MN](#) [E3L2DC4](#) [E3S3LE21](#) [E3SCT11M1J03M](#) [E3SDS20E21](#) [E3VDS70C43S](#) [E3XNM16](#) [BR23P](#)
[HOA6563-001](#) [OJ-3307-30N8](#) [OS-311A-30](#) [P32013](#) [P34036](#) [P43004](#) [P60001](#) [PB10CNT15PO](#) [S14132](#) [935286-000](#) [S52101](#) [S56258](#) [FD-](#)
[SN500](#) [FE7B-FDRB6-M](#) [SU-79](#) [T36342](#) [T40300](#) [T60001](#) [PD60CNX20BP](#) [FX-302-HY](#) [FZS](#) [PM-T64W](#) [PZ2-51P](#) [CX-491-P-J](#) [CYNUTX10](#)
[UZB802](#) [UZB803](#) [UZFRG1](#) [UZFRG4](#) [UZFRT4](#) [UZFTT8](#)