

## diffuse reflection sensor with background suppression

dimensions **M18 x 1**  
 sensing range adjustable **30 ... 150mm**



- ✓ **robust metal housing**
- ✓ **high immunity to external light**
- ✓ **high sampling frequency**
- ✓ **LED-display**
- ✓ **connection with M12-connector, 4-pin**

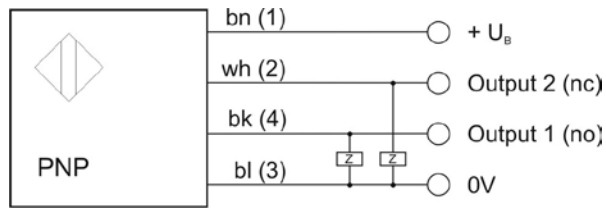
**adjustable sensing range**  
**laser protection class 1**


**Technical Data**
**PT180426**

sensing range (adjustable)	30 ... 150mm
adjustment	10-turn-potentiometer
transmitting element	laser diode red light
wave length	650 ... 670nm
light spot size	2.4 x 1.5mm at distance 150mm
laser class	1
operating voltage	10 ... 30V DC
current consumption (without load)	≤ 30mA
output current (max. load)	100mA
voltage drop (max. load)	< 2.5V
output signal	pnp
output function	light-on / dark-on mode
reverse polarity protection	+
short-circuit protection	+
sampling frequency	≤ 500Hz
permissible capacitance	≤ 100nF
display (power on indicator)	LED green
display (short-circuit indicator)	LED green flashing
display (signal indicator)	LED yellow
display (error indicator)	LED yellow flashing
operating temperature	-5 ... +55°C
degree of protection (EN 60529)	IP67
external light shielding max.	10.000Lux
design	M18 x 1
length (thread/complete)	48mm /B 75mm
housing material	nickel-plated brass
front screen material	PMMA
tightening torque	area B1: 15Nm, area B2: 30Nm (see dimensional drawing)
connection	M12-connector, 4-pin
connection accessories	e.g. <b>VK200325</b>
universal mounting	e.g. <b>AY000117</b>

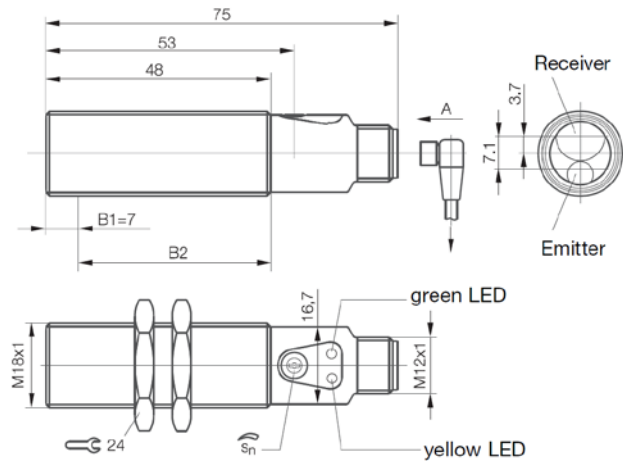
**Warning:** Never use these devices in applications where the safety of a person depends on their functionality.

connection

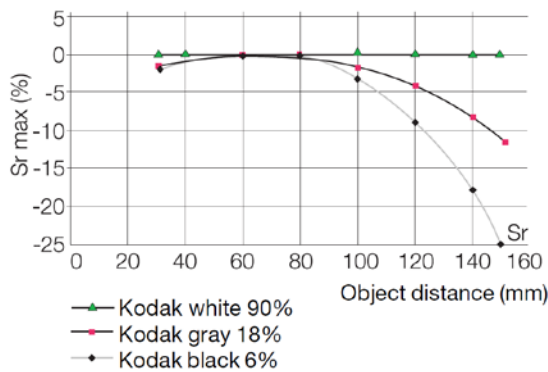


wire colors:  
bn=brown (1), wh=white (2), bk=black (4), bl=blue (3)

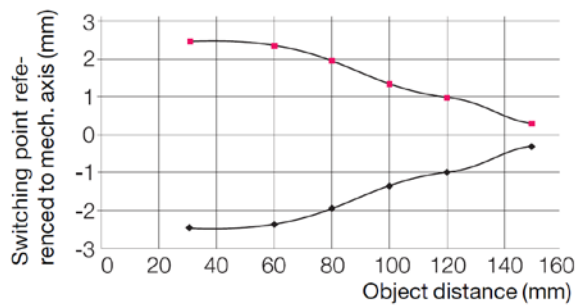
dimensional drawing



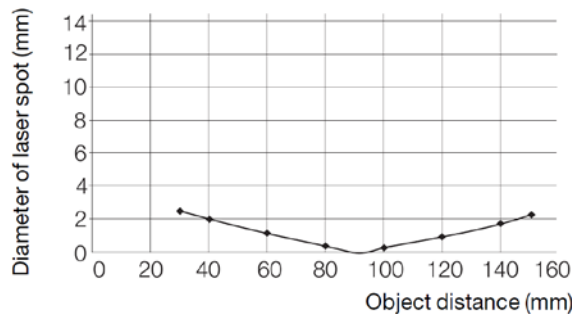
deviation in switching distances at different luminosity coefficients



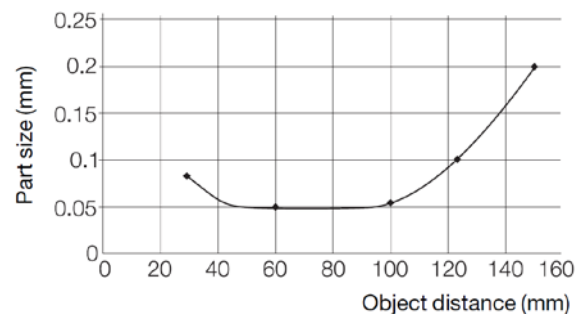
approach curve with switch-on point from left or right side



light spot diameter depending on the object distance



smallest detectable part depending on the object distance



## X-ON Electronics

Largest Supplier of Electrical and Electronic Components

*Click to view similar products for [Photoelectric Sensors](#) category:*

*Click to view products by [IPF ELECTRONIC](#) manufacturer:*

Other Similar products are found below :

[7442AD2X5FRX](#) [EX-19B-LP](#) [EX-19SB-PN](#) [7443AR0X5FRX](#) [7452AD4D4NNX](#) [7694ADE04DS2X](#) [FE7C-FRC6S-M](#) [FX-305](#) [PM-R24-R](#)  
[Q45VR2FPQ](#) [13104RQD07](#) [E3JUXM4MN](#) [E3L2DC4](#) [E3S3LE21](#) [E3SCT11M1J03M](#) [E3SDS20E21](#) [E3VDS70C43S](#) [E3XNM16](#) [BR23P](#)  
[HOA6563-001](#) [OJ-3307-30N8](#) [OS-311A-30](#) [P32013](#) [P34036](#) [P43004](#) [P60001](#) [PB10CNT15PO](#) [S14132](#) [935286-000](#) [S52101](#) [S56258](#) [FD-](#)  
[SN500](#) [FE7B-FDRB6-M](#) [SU-79](#) [T36342](#) [T40300](#) [T60001](#) [PD60CNX20BP](#) [FX-302-HY](#) [FZS](#) [PM-T64W](#) [PZ2-51P](#) [CX-491-P-J](#) [CYNUTX10](#)  
[UZB802](#) [UZB803](#) [UZFRG1](#) [UZFRG4](#) [UZFRT4](#) [UZFTT8](#)