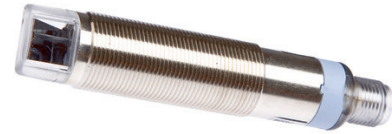


PT180428

LASER SENSORS • DIFFUSE REFLECTION SENSORS WITH INTENSITY DIFFERENTIATION

sensor laser, diffuse-reflection sensor, M18x1 94long, Sn: 0-250, 10-30V DC, 2x PNP Anticoincidence, Connector M12 4pin, IP67, Brass Chrome-plated+PMMA, 1.5kHz, Laser diode, red light, Point, Manual adjustment



MECHANICAL FEATURES

Ambient temperature	-10 °C ... 50 °C
Degree of protection (IP)	IP67
Design	Cylinder, screw-thread
Housing coating	Chrome-plated
Housing material	Brass
Material of optical surface	PMMA
Reflector included in the scope of delivery	-
Sensor length	93.5 mm
Storage temperature	-25 °C ... 70 °C
Thread length	43 mm
Thread pitch	1 mm
Thread size, metric	18
With interchangeable lens	-

ELECTRICAL FEATURES

Alarm output	-
Equipment protection class	Protection class 3
High repeat accuracy	-
Interference suppression	-
Max. switching distance	250 mm
No-load current	35 mA
Number of pins	4
Number of switching outputs	2
Operating voltage	10 V ... 30 V
Pre-failure message	-
Rated switching current	100 mA
Reverse polarity protection	+
Scanning function	Light-/dark-on mode
Sensing range	0 mm ... 250 mm
Setting procedure	Manual adjustment
Short-circuit protection	+
Suitable for safety functions	-
Switching frequency	1500 Hz

ELECTRICAL FEATURES

Type of electrical connection	Connector M12
Type of switching function	Anticoincidence
Type of switching output	PNP
Voltage drop	2 V
Voltage type	DC
With communication interface, RS-232	-
With LED display	+
With monitoring function of downstream devices	-
With other analog output	-
With restart lock	-
With time function	-

OPTICAL FEATURES

Light source	Laser diode, red light
Wavelength of the sensor	650 nm
Light exit	Lateral
Light beam form	Point
Small light beam diameter	+
Line scanner	-
Laser class	Class 1

OTHER FEATURES

Feeding technology	+
For gloss queries	-
Is line scan camera	-

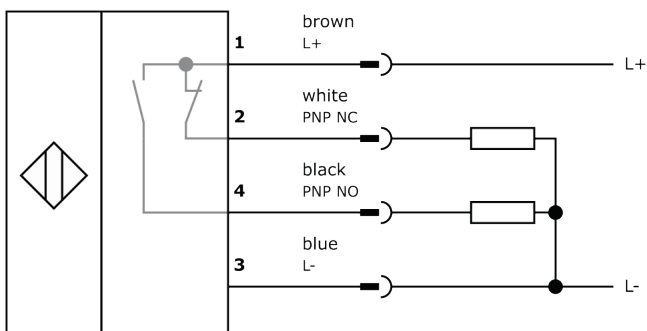
Other

Packaging dimensions	77.0mm x 25.0mm x 123.0mm
Shipping weight	0.08kg
Tariff code	85365019

Classification

ipf product group	160
eClass 8.0	27270903
eClass 9.0	27270903
eClass 9.1	27270903
ETIM-5.0	EC001821
ETIM-6.0	EC001821
ETIM-7.0	EC001821

Connection



Dimensional drawing

Installation



Mounting / installation may only be carried out by a qualified electrician!

Disposal



Safety warnings

Before initial operation, please make sure to follow all safety instructions that may be provided in the product information.

Never use these devices in applications where the safety of a person depends on their functionality.

LED lighting systems can generate intensive UV radiation, which can damage your eyes in case of improper use. The manufacturer cannot be held responsible for damages that result from improper use or connection.

X-ON Electronics

Largest Supplier of Electrical and Electronic Components

Click to view similar products for [Photoelectric Sensors](#) category:

Click to view products by [IPF ELECTRONIC](#) manufacturer:

Other Similar products are found below :

[7442AD2X5FRX](#) [EX-19B-LP](#) [EX-19SB-PN](#) [7443AR0X5FRX](#) [7452AD4D4NNX](#) [7694ADE04DS2X](#) [FE7C-FRC6S-M](#) [FX-305](#) [PM-R24-R](#)
[Q45VR2FPQ](#) [13104RQD07](#) [E3JUXM4MN](#) [E3L2DC4](#) [E3S3LE21](#) [E3SCT11M1J03M](#) [E3SDS20E21](#) [E3VDS70C43S](#) [E3XNM16](#) [BR23P](#)
[HOA6563-001](#) [OJ-3307-30N8](#) [OS-311A-30](#) [P32013](#) [P34036](#) [P43004](#) [P60001](#) [PB10CNT15PO](#) [S14132](#) [935286-000](#) [S52101](#) [S56258](#) [FD-](#)
[SN500](#) [FE7B-FDRB6-M](#) [SU-79](#) [T36342](#) [T40300](#) [T60001](#) [PD60CNX20BP](#) [FX-302-HY](#) [FZS](#) [PM-T64W](#) [PZ2-51P](#) [CX-491-P-J](#) [CYNUTX10](#)
[UZB802](#) [UZB803](#) [UZFRG1](#) [UZFRG4](#) [UZFRT4](#) [UZFTT8](#)