

## PT190420

### LASER SENSORS • DIFFUSE REFLECTION SENSORS WITH BACKGROUND SUPPRESSION

sensor laser, diffuse-reflection sensor, 50x50x17mm, Sn: 50-300, 10-30V DC, 2x PNP NC/NO, Connector M12 4pin, IP67, Plastic ABS+PMMA, 2.5kHz, Background suppression, Laser diode, red light, Point, Manual adjustment



#### MECHANICAL FEATURES

Ambient temperature	-20 °C ... 45 °C
Degree of protection (IP)	IP67
Design	Cuboid
Housing material	Plastic ABS
Material of optical surface	PMMA
Reflector included in the scope of delivery	-
Sensor height	50 mm
Sensor length	50 mm
Sensor width	17 mm
Volume	Medium

#### ELECTRICAL FEATURES

Adjustment range	50 mm ... 300 mm
Analog output 0 mA ... 20 mA	-
Analog output 0 V ... 10 V	-
Analog output -10 V ... +10 V	-
Analog output 4 mA ... 20 mA	-
Decay time	0.2 ms
Interference suppression	+
Laser power	0.4 mW
Max. switching distance	300 mm
No-load current	50 mA
Number of pins	4
Number of switching outputs	2
Operating voltage	10 V ... 30 V
Rated switching current	200 mA
Rated switching distance	300 mm
Reaction time	0.2 ms
Response time	0.2 ms
Reverse polarity protection	+
Scanning function	Light-/dark-on mode
Sensing range	50 mm ... 300 mm
Setting procedure	Manual adjustment

## ELECTRICAL FEATURES

Short-circuit protection	+
Switching frequency	2500 Hz
Type of electrical connection	Connector M12
Type of switching function	Normally closed contact/normally open contact
Type of switching output	PNP
Voltage drop	2.4 V
Voltage type	DC
With LED display	+
With LED display (operation)	+
With LED display (signal)	+
With LED display (soiling)	+
With other analog output	-

## OPTICAL FEATURES

Light source	Laser diode, red light
Light spot	3 mm <sup>2</sup>
Wavelength of the sensor	650 nm
Triangulation	Background suppression
Light beam form	Point
Background suppression	+
Laser class	EV006626

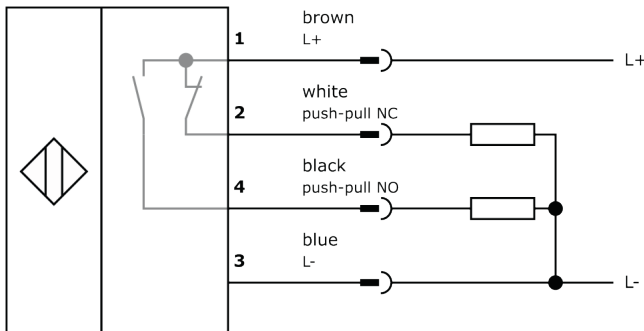
## Other

Packaging dimensions	60mm x 30mm x 91.0mm
Shipping weight	0.04kg
Tariff code	85365019

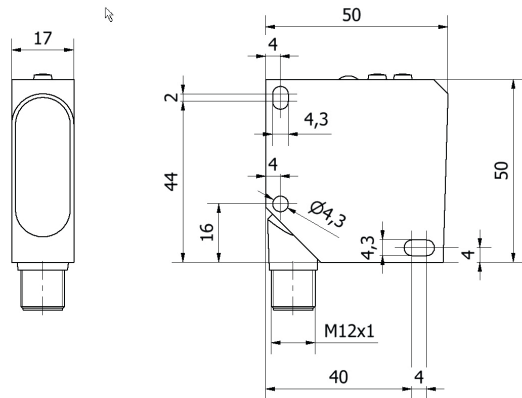
## Classification

ipf product group	160
eClass 8.0	27270904
eClass 9.0	27270904
eClass 9.1	27270904
ETIM-5.0	EC002719
ETIM-6.0	EC002719
ETIM-7.0	EC002719

## Connection



## Dimensional drawing



### Installation



Mounting / installation may only be carried out by a qualified electrician!

### Disposal



### Safety warnings

Before initial operation, please make sure to follow all safety instructions that may be provided in the product information. Never use these devices in applications where the safety of a person depends on their functionality. LED lighting systems can generate intensive UV radiation, which can damage your eyes in case of improper use. The manufacturer cannot be held responsible for damages that result from improper use or connection.

## X-ON Electronics

Largest Supplier of Electrical and Electronic Components

*Click to view similar products for [Photoelectric Sensors](#) category:*

*Click to view products by [IPF ELECTRONIC](#) manufacturer:*

Other Similar products are found below :

[7442AD2X5FRX](#) [EX-19B-LP](#) [EX-19SB-PN](#) [7443AR0X5FRX](#) [7452AD4D4NNX](#) [7694ADE04DS2X](#) [FE7C-FRC6S-M](#) [FX-305](#) [PM-R24-R](#)  
[Q45VR2FPQ](#) [13104RQD07](#) [E3JUXM4MN](#) [E3L2DC4](#) [E3S3LE21](#) [E3SCT11M1J03M](#) [E3SDS20E21](#) [E3VDS70C43S](#) [E3XNM16](#) [BR23P](#)  
[HOA6563-001](#) [OJ-3307-30N8](#) [OS-311A-30](#) [P32013](#) [P34036](#) [P43004](#) [P60001](#) [PB10CNT15PO](#) [S14132](#) [935286-000](#) [S52101](#) [S56258](#) [FD-](#)  
[SN500](#) [FE7B-FDRB6-M](#) [SU-79](#) [T36342](#) [T40300](#) [T60001](#) [PD60CNX20BP](#) [FX-302-HY](#) [FZS](#) [PM-T64W](#) [PZ2-51P](#) [CX-491-P-J](#) [CYNUTX10](#)  
[UZB802](#) [UZB803](#) [UZFRG1](#) [UZFRG4](#) [UZFRT4](#) [UZFTT8](#)