

PT230020

LASER SENSORS • DISTANCE MEASUREMENT

sensor laser, diffuse-reflection sensor, 50x50x23mm, Sn:100-5000mm, Light delay time, 18-30V DC, -40°C, 1x PNP/NPN NC/NO, 4-20mA, IO-Link, Connector M12 5pin, IP67, Plastic ABS+Plastic, 0.25kHz, Laser diode, red light, Point, Parameterization



MECHANICAL FEATURES

Ambient temperature	-40 °C ... 60 °C
Degree of protection (IP)	IP67
Design	Cuboid
Housing material	Plastic ABS
Material of optical surface	Plastic
Sensor height	50 mm
Sensor length	50.08 mm
Sensor width	23 mm
Storage temperature	-40 °C ... 80 °C
Volume	Medium

ELECTRICAL FEATURES

Absolute linearity deviation	30 mm
Absolute repeat accuracy	1200 µm
Alarm output	+
IO-Link compatible	+
Laser power	1 mW
Measuring method for optical distance measurement	Light delay time
Measuring range length	100 mm ... 5000 mm
No-load current	60 mA
Number of pins	5
Number of switching outputs	1
Operating voltage	18 ... 30
Output transfer rate	500 Hz
Range	5000 mm
Rated switching current	100 mA
Readiness delay	5000 ms
Relative repeat accuracy	1 %
Residual ripple	10 %
Response time	2 ms
Response/decay time	4 ms
Reverse polarity protection	+
Scanning principle	Reflection sensor

ELECTRICAL FEATURES

Setting procedure	Parameterization
Short-circuit protection	+
Supply voltage	18 V ... 30 V
Switching frequency	250 Hz
Type of analog output	4 mA ... 20 mA
Type of electrical connection	Connector M12
Type of switching function	Normally closed contact/normally open contact
Type of switching output	PNP/NPN
Voltage type	DC
With LED display	+
With time function	-

OPTICAL FEATURES

Light source	Laser diode, red light
Wavelength of the sensor	655 nm
Resolution	5000 μ m
Light beam form	Point
Laser class	Class 1

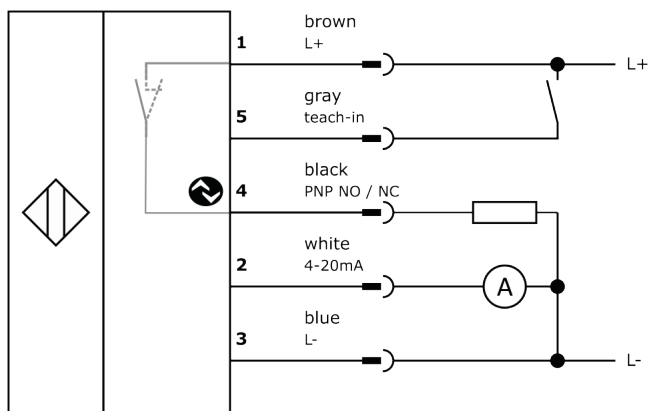
Other

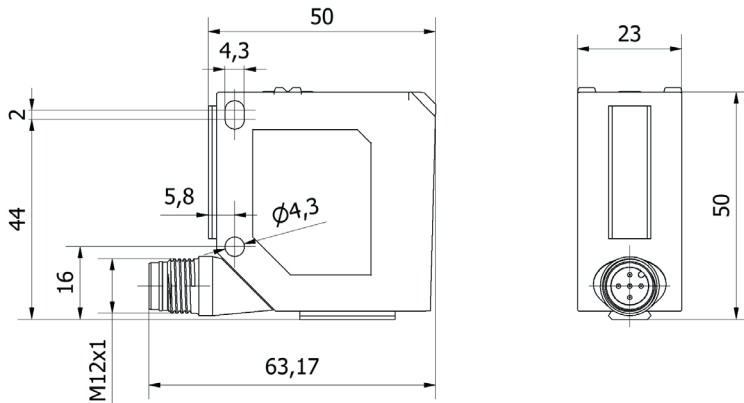
Packaging dimensions	60mm x 30mm x 91.0mm
Shipping weight	0.06kg
Tariff code	85365019

Classification

ipf product group	169
eClass 8.0	27270801
eClass 9.0	27270801
eClass 9.1	27270801
ETIM-5.0	EC001825
ETIM-6.0	EC001825
ETIM-7.0	EC001825

Connection



Dimensional drawing**Installation**

Mounting / installation may only be carried out by a qualified electrician!

Disposal**Software**

Any software, drivers or IODD files that may be required to operate your device can be downloaded free of charge from our homepage: www.ipf-electronic.com

Safety warnings

Before initial operation, please make sure to follow all safety instructions that may be provided in the product information. Never use these devices in applications where the safety of a person depends on their functionality.

LED lighting systems can generate intensive UV radiation, which can damage your eyes in case of improper use. The manufacturer cannot be held responsible for damages that result from improper use or connection.

X-ON Electronics

Largest Supplier of Electrical and Electronic Components

Click to view similar products for [Photoelectric Sensors](#) category:

Click to view products by [IPF ELECTRONIC](#) manufacturer:

Other Similar products are found below :

[7442AD2X5FRX](#) [EX-19B-LP](#) [EX-19SB-PN](#) [7443AR0X5FRX](#) [7452AD4D4NNX](#) [7694ADE04DS2X](#) [FE7C-FRC6S-M](#) [FX-305](#) [PM-R24-R](#)
[Q45VR2FPQ](#) [13104RQD07](#) [E3JUXM4MN](#) [E3L2DC4](#) [E3S3LE21](#) [E3SCT11M1J03M](#) [E3SDS20E21](#) [E3VDS70C43S](#) [E3XNM16](#) [BR23P](#)
[HOA6563-001](#) [OJ-3307-30N8](#) [OS-311A-30](#) [P32013](#) [P34036](#) [P43004](#) [P60001](#) [PB10CNT15PO](#) [S14132](#) [935286-000](#) [S52101](#) [S56258](#) [FD-](#)
[SN500](#) [FE7B-FDRB6-M](#) [SU-79](#) [T36342](#) [T40300](#) [T60001](#) [PD60CNX20BP](#) [FX-302-HY](#) [FZS](#) [PM-T64W](#) [PZ2-51P](#) [CX-491-P-J](#) [CYNUTX10](#)
[UZB802](#) [UZB803](#) [UZFRG1](#) [UZFRG4](#) [UZFRT4](#) [UZFTT8](#)