

PT330570

LASER SENSORS • DIFFUSE REFLECTION SENSORS WITH BACKGROUND SUPPRESSION

sensor laser, diffuse-reflection sensor, 39x23x13mm, Sn: 30-250, 11-30V DC, 1x PNP+NPN NC/NO, IO-Link, Connector M8 4pin, IP67, Plastic ASA+PMMA, 2kHz, Background suppression, Laser diode, red light, Point, Teach-In



MECHANICAL FEATURES

Ambient temperature	-10 °C ... 60 °C
Degree of protection (IP)	IP67
Design	Cuboid
Housing material	Plastic ASA
Material of optical surface	PMMA
Reflector included in the scope of delivery	-
Sensor height	39.1 mm
Sensor length	23 mm
Sensor width	12.9 mm
Volume	Small

ELECTRICAL FEATURES

Adjustment range	30 mm ... 250 mm
Analog output 0 mA ... 20 mA	-
Analog output 0 V ... 10 V	-
Analog output -10 V ... +10 V	-
Analog output 4 mA ... 20 mA	-
Decay time	0.25 ms
IO-Link compatible	+
Laser power	1 mW
Max. switching distance	250 mm
Min. switching distance	30 mm
No-load current	30 mA
Number of pins	4
Number of switching outputs	1
Operating voltage	11 V ... 30 V
Rated control supply voltage U_s at DC	11 V ... 30 V
Rated switching current	100 mA
Rated switching distance	250 mm
Reaction time	0.25 ms
Relative repeat accuracy	0.1 mm
Response time	0.25 ms
Reverse polarity protection	+

ELECTRICAL FEATURES

Scanning function	Light-/dark-on mode
Sensing range	30 mm ... 250 mm
Setting procedure	Teach-In
Short-circuit protection	+
Switching frequency	2000 Hz
Type of electrical connection	Connector M8
Type of switching function	Normally closed contact/normally open contact
Type of switching output	PNP+NPN
Voltage drop	2.5 V
Voltage type	DC
With LED display	+
With LED display (functional reserve)	+
With LED display (operation)	+
With LED display (signal)	+
With LED display (teach)	+
With other analog output	-
With time function	-

OPTICAL FEATURES

Light source	Laser diode, red light
Wavelength of the sensor	650 nm
Triangulation	Background suppression
Light beam form	Point
Background suppression	+
Laser focus distance	80 mm
Laser class	EV006626

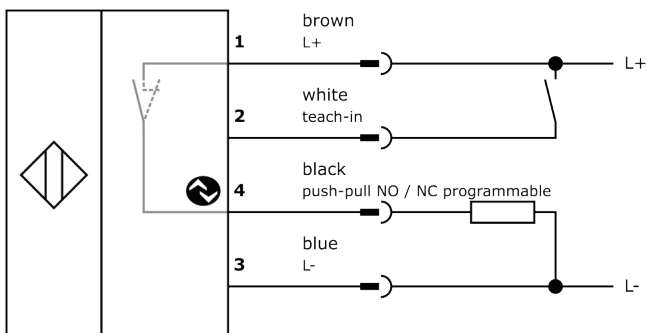
Other

Packaging dimensions	77.0mm x 25.0mm x 123.0mm
Shipping weight	0.04kg
Tariff code	85365019

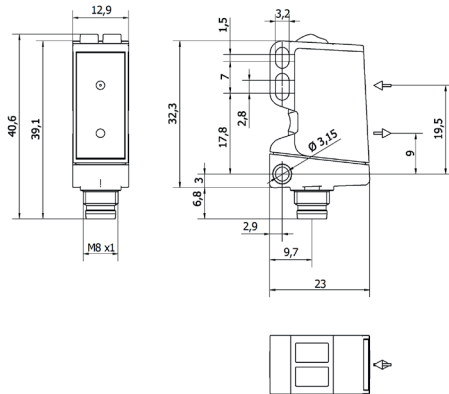
Classification

ipf product group	160
eClass 8.0	27270904
eClass 9.0	27270904
eClass 9.1	27270904
ETIM-5.0	EC002719
ETIM-6.0	EC002719
ETIM-7.0	EC002719

Connection



Dimensional drawing



Installation



Mounting / installation may only be carried out by a qualified electrician!

Disposal



Software

Any software, drivers or IODD files that may be required to operate your device can be downloaded free of charge from our homepage: www.ipf-electronic.com

Safety warnings

Before initial operation, please make sure to follow all safety instructions that may be provided in the product information. Never use these devices in applications where the safety of a person depends on their functionality.

LED lighting systems can generate intensive UV radiation, which can damage your eyes in case of improper use. The manufacturer cannot be held responsible for damages that result from improper use or connection.

X-ON Electronics

Largest Supplier of Electrical and Electronic Components

Click to view similar products for [Photoelectric Sensors](#) category:

Click to view products by [IPF ELECTRONIC](#) manufacturer:

Other Similar products are found below :

[7442AD2X5FRX](#) [EX-19B-LP](#) [EX-19SB-PN](#) [7443AR0X5FRX](#) [7452AD4D4NNX](#) [7694ADE04DS2X](#) [FE7C-FRC6S-M](#) [FX-305](#) [PM-R24-R](#)
[Q45VR2FPQ](#) [13104RQD07](#) [E3JUXM4MN](#) [E3L2DC4](#) [E3S3LE21](#) [E3SCT11M1J03M](#) [E3SDS20E21](#) [E3VDS70C43S](#) [E3XNM16](#) [BR23P](#)
[HOA6563-001](#) [OJ-3307-30N8](#) [OS-311A-30](#) [P32013](#) [P34036](#) [P43004](#) [P60001](#) [PB10CNT15PO](#) [S14132](#) [935286-000](#) [S52101](#) [S56258](#) [FD-](#)
[SN500](#) [FE7B-FDRB6-M](#) [SU-79](#) [T36342](#) [T40300](#) [T60001](#) [PD60CNX20BP](#) [FX-302-HY](#) [FZS](#) [PM-T64W](#) [PZ2-51P](#) [CX-491-P-J](#) [CYNUTX10](#)
[UZB802](#) [UZB803](#) [UZFRG1](#) [UZFRG4](#) [UZFRT4](#) [UZFTT8](#)