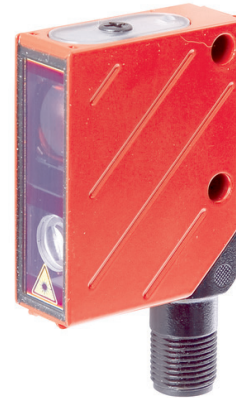


## PT380523

### LASER SENSORS • DIFFUSE REFLECTION SENSORS WITH BACKGROUND SUPPRESSION

sensor laser, diffuse-reflection sensor, 48x38x15mm, Sn: 5-400, 18-30V DC, 2x PNP/NPN NO (NO), Connector M12 5pin, IP67, Metal+Glass, 2kHz, Background suppression, Laser diode, red light, Point, Manual adjustment



#### MECHANICAL FEATURES

Ambient temperature	-10 °C ... 40 °C
Degree of protection (IP)	IP67
Design	Cuboid
Housing material	Metal
Material of optical surface	Glass
Reflector included in the scope of delivery	-
Sensor height	48 mm
Sensor length	38 mm
Sensor width	15 mm
Storage temperature	-10 °C ... 40 °C
Volume	Medium

#### ELECTRICAL FEATURES

Adjustment range	50 mm ... 400 mm
Analog output 0 mA ... 20 mA	-
Analog output 0 V ... 10 V	-
Analog output -10 V ... +10 V	-
Analog output 4 mA ... 20 mA	-
Laser power	1 mW
Max. switching distance	400 mm
No-load current	35 mA
Number of pins	5
Number of switching outputs	2
Operating voltage	18 V ... 30 V
Rated switching current	100 mA
Rated switching distance	400 mm
Readiness delay	100 ms
Reverse polarity protection	+
Sensing range	5 mm ... 400 mm
Setting procedure	Manual adjustment
Short-circuit protection	+
Switching frequency	2000 Hz
Type of electrical connection	Connector M12

## ELECTRICAL FEATURES

Type of switching function	Normally open contact (NO)
Type of switching output	PNP/NPN
Voltage type	DC
With LED display	+
With LED display (functional reserve)	+
With LED display (operation)	+
With LED display (signal)	+
With other analog output	-
With time function	-

## OPTICAL FEATURES

Light source	Laser diode, red light
Light spot	0.79 mm <sup>2</sup>
Wavelength of the sensor	670 nm
Triangulation	Background suppression
Light beam form	Point
Background suppression	+
Laser focus distance	350 mm
Laser class	EV006627

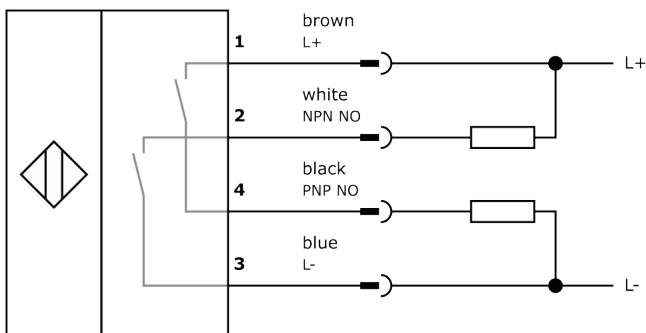
## Other

Packaging dimensions	77.0mm x 25.0mm x 123.0mm
Shipping weight	0.09kg
Tariff code	85365019

## Classification

ipf product group	160
eClass 8.0	27270904
eClass 9.0	27270904
eClass 9.1	27270904
ETIM-5.0	EC002719
ETIM-6.0	EC002719
ETIM-7.0	EC002719

## Connection



## Dimensional drawing

### Installation



Mounting / installation may only be carried out by a qualified electrician!

### Disposal



## Safety warnings

Before initial operation, please make sure to follow all safety instructions that may be provided in the product information.

Never use these devices in applications where the safety of a person depends on their functionality.

LED lighting systems can generate intensive UV radiation, which can damage your eyes in case of improper use. The manufacturer cannot be held responsible for damages that result from improper use or connection.

## X-ON Electronics

Largest Supplier of Electrical and Electronic Components

*Click to view similar products for [Photoelectric Sensors](#) category:*

*Click to view products by [IPF ELECTRONIC](#) manufacturer:*

Other Similar products are found below :

[7442AD2X5FRX](#) [EX-19B-LP](#) [EX-19SB-PN](#) [7443AR0X5FRX](#) [7452AD4D4NNX](#) [7694ADE04DS2X](#) [FE7C-FRC6S-M](#) [FX-305](#) [PM-R24-R](#)  
[Q45VR2FPQ](#) [13104RQD07](#) [E3JUXM4MN](#) [E3L2DC4](#) [E3S3LE21](#) [E3SCT11M1J03M](#) [E3SDS20E21](#) [E3VDS70C43S](#) [E3XNM16](#) [BR23P](#)  
[HOA6563-001](#) [OJ-3307-30N8](#) [OS-311A-30](#) [P32013](#) [P34036](#) [P43004](#) [P60001](#) [PB10CNT15PO](#) [S14132](#) [935286-000](#) [S52101](#) [S56258](#) [FD-](#)  
[SN500](#) [FE7B-FDRB6-M](#) [SU-79](#) [T36342](#) [T40300](#) [T60001](#) [PD60CNX20BP](#) [FX-302-HY](#) [FZS](#) [PM-T64W](#) [PZ2-51P](#) [CX-491-P-J](#) [CYNUTX10](#)  
[UZB802](#) [UZB803](#) [UZFRG1](#) [UZFRG4](#) [UZFRT4](#) [UZFTT8](#)