

diff. reflection sensors with background suppression

dimensions 20 x 44 x 25mm  
 sensing range adjustable 120 ... 280mm  
 200 ... 600mm



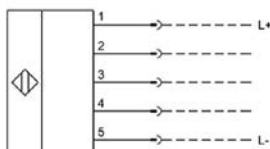
- ✓ solid aluminum housing
- ✓ configurable external input
- ✓ very small beam diameter
- ✓ excellent linearity
- ✓ switching output with window function
- ✓ analog output

**new: with large operating ranges  
 easy menu navigation, LC-display**



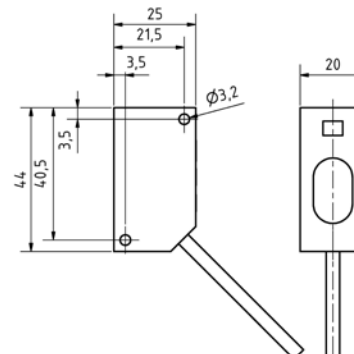
Technical Data	PT440303	PT440304
operating range	120 ... 280mm	200 ... 600mm
beam diameter	~300µm	~500µm
repeat accuracy	~200µm	~300µm (distance 200 ... 400mm) ~800µm (distance 400 ... 600mm)
operating voltage	12 ... 24V DC ±10%	
output current	max. 50mA	
current consumption (w/o load)	max. 40mA bei 24V DC / max. 60mA at 12V DC	
response time	switchable 1.5ms / 5ms / 10ms	
transmitting element / wavelength	laser / 655nm	
linearity	±0.2% F.S.	±0.2% F.S. (distance 200 ... 400mm) ±0.3% F.S. (distance 400 ... 600mm)
temperature dependency	0.03% of scale end value / °C	
output	pnp	
output function	NO / NC switchable	
analog output	0 ... 5V	
protection class (EN 60529)	IP67	
air humidity	35 to 85% relative air humidity	
ambient illumination	incandescent light: max 3000lx	
temperature (operating)	-10°C ... +45°C	
temperature (storage)	-20°C ... +60°C	
connection	cable 2m, 5 x 0.2mm <sup>2</sup> , shielded	
material (housing)	aluminum diecast	
material (front screen)	acryl	
mounting accessories	AP000042	

connection



wire colors: 1 L+ br brown  
 2 ext. input rs pink  
 3 pnp no/nv bk black  
 4 analog output 0-5V DC gr gray  
 5 L- bl blue

dimensional drawing



**Warning:** Never use these devices in applications where the safety of a person depends on their functionality.

## X-ON Electronics

Largest Supplier of Electrical and Electronic Components

*Click to view similar products for [Photoelectric Sensors](#) category:*

*Click to view products by [IPF ELECTRONIC](#) manufacturer:*

Other Similar products are found below :

[7442AD2X5FRX](#) [EX-19B-LP](#) [EX-19SB-PN](#) [7443AR0X5FRX](#) [7452AD4D4NNX](#) [7694ADE04DS2X](#) [FE7C-FRC6S-M](#) [FX-305](#) [PM-R24-R](#)  
[Q45VR2FPQ](#) [13104RQD07](#) [E3JUXM4MN](#) [E3L2DC4](#) [E3S3LE21](#) [E3SCT11M1J03M](#) [E3SDS20E21](#) [E3VDS70C43S](#) [E3XNM16](#) [BR23P](#)  
[HOA6563-001](#) [OJ-3307-30N8](#) [OS-311A-30](#) [P32013](#) [P34036](#) [P43004](#) [P60001](#) [PB10CNT15PO](#) [S14132](#) [935286-000](#) [S52101](#) [S56258](#) [FD-](#)  
[SN500](#) [FE7B-FDRB6-M](#) [SU-79](#) [T36342](#) [T40300](#) [T60001](#) [PD60CNX20BP](#) [FX-302-HY](#) [FZS](#) [PM-T64W](#) [PZ2-51P](#) [CX-491-P-J](#) [CYNUTX10](#)  
[UZB802](#) [UZB803](#) [UZFRG1](#) [UZFRG4](#) [UZFRT4](#) [UZFTT8](#)