

PT490375

LASER SENSORS • DIFFUSE REFLECTION SENSORS WITH BACKGROUND SUPPRESSION

sensor laser, diffuse-reflection sensor, 48x40x13mm, Sn: 50-550, 12-28V DC, 1x PNP NC/NO, Connector M8 4pin, IP67, Aluminum+Glass, Background suppression, Laser diode, red light, Line, Teach-In



MECHANICAL FEATURES

Ambient temperature	0 °C ... 50 °C
Degree of protection (IP)	IP67
Design	Cuboid
Housing material	Aluminum
Material of optical surface	Glass
Reflector included in the scope of delivery	-
Sensor height	48.2 mm
Sensor length	40 mm
Sensor width	13.4 mm
Volume	Medium

ELECTRICAL FEATURES

Adjustment range	50 mm ... 550 mm
Analog output 0 mA ... 20 mA	-
Analog output 0 V ... 10 V	-
Analog output -10 V ... +10 V	-
Analog output 4 mA ... 20 mA	-
Decay time	15 ms
Laser power	1 mW
Max. switching distance	550 mm
No-load current	80 mA
Number of pins	4
Number of switching outputs	1
Operating voltage	12 V ... 28 V
Rated switching current	100 mA
Rated switching distance	550 mm
Response time	5 ms
Reverse polarity protection	+
Sensing range	50 mm ... 550 mm
Setting procedure	Teach-In
Short-circuit protection	+
Type of electrical connection	Connector M8
Type of switching function	Normally closed contact/normally open contact

ELECTRICAL FEATURES

Type of switching output	PNP
Voltage drop	2.8 V
Voltage type	DC
With LED display	+
With LED display (alarm)	+
With LED display (operation)	+
With LED display (soiling)	+
With LED display (teach)	+
With other analog output	-
With time function	-

OPTICAL FEATURES

Light source	Laser diode, red light
Light spot	26 mm ²
Wavelength of the sensor	675 nm
Triangulation	Background suppression
Light beam form	Line
Background suppression	+
Teach-in limits distance	5 mm
Laser class	EV006627

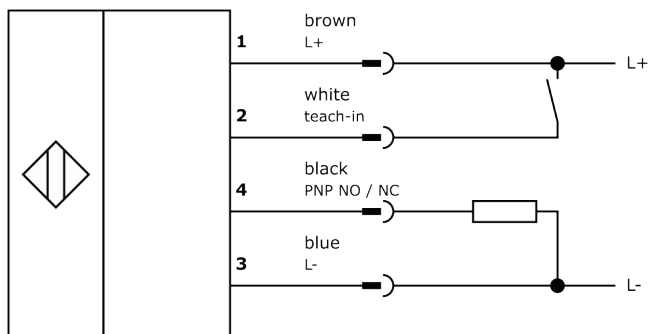
Other

Packaging dimensions	99.0mm x 60mm x 160mm
Shipping weight	0.1kg
Tariff code	85365019

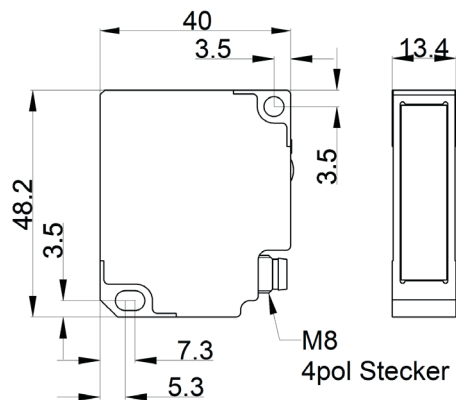
Classification

ipf product group	160
eClass 8.0	27270904
eClass 9.0	27270904
eClass 9.1	27270904
ETIM-5.0	EC002719
ETIM-6.0	EC002719
ETIM-7.0	EC002719

Connection



Dimensional drawing



Installation



Mounting / installation may only be carried out by a qualified electrician!

Disposal



Safety warnings

Before initial operation, please make sure to follow all safety instructions that may be provided in the product information. Never use these devices in applications where the safety of a person depends on their functionality. LED lighting systems can generate intensive UV radiation, which can damage your eyes in case of improper use. The manufacturer cannot be held responsible for damages that result from improper use or connection.

X-ON Electronics

Largest Supplier of Electrical and Electronic Components

Click to view similar products for [Photoelectric Sensors](#) category:

Click to view products by [IPF ELECTRONIC](#) manufacturer:

Other Similar products are found below :

[7442AD2X5FRX](#) [EX-19B-LP](#) [EX-19SB-PN](#) [7443AR0X5FRX](#) [7452AD4D4NNX](#) [7694ADE04DS2X](#) [FE7C-FRC6S-M](#) [FX-305](#) [PM-R24-R](#)
[Q45VR2FPQ](#) [13104RQD07](#) [E3JUXM4MN](#) [E3L2DC4](#) [E3S3LE21](#) [E3SCT11M1J03M](#) [E3SDS20E21](#) [E3VDS70C43S](#) [E3XNM16](#) [BR23P](#)
[HOA6563-001](#) [OJ-3307-30N8](#) [OS-311A-30](#) [P32013](#) [P34036](#) [P43004](#) [P60001](#) [PB10CNT15PO](#) [S14132](#) [935286-000](#) [S52101](#) [S56258](#) [FD-](#)
[SN500](#) [FE7B-FDRB6-M](#) [SU-79](#) [T36342](#) [T40300](#) [T60001](#) [PD60CNX20BP](#) [FX-302-HY](#) [FZS](#) [PM-T64W](#) [PZ2-51P](#) [CX-491-P-J](#) [CYNUTX10](#)
[UZB802](#) [UZB803](#) [UZFRG1](#) [UZFRG4](#) [UZFRT4](#) [UZFTT8](#)