

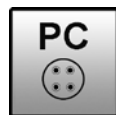
PT64002X / PT64302X

Diffuse reflection laser sensors with triangulation

- / power tracking
- / high resolution
- / rotatable connector
- / externally teachable



analog signal 4 to 20mA / 0 to 10V
optional software



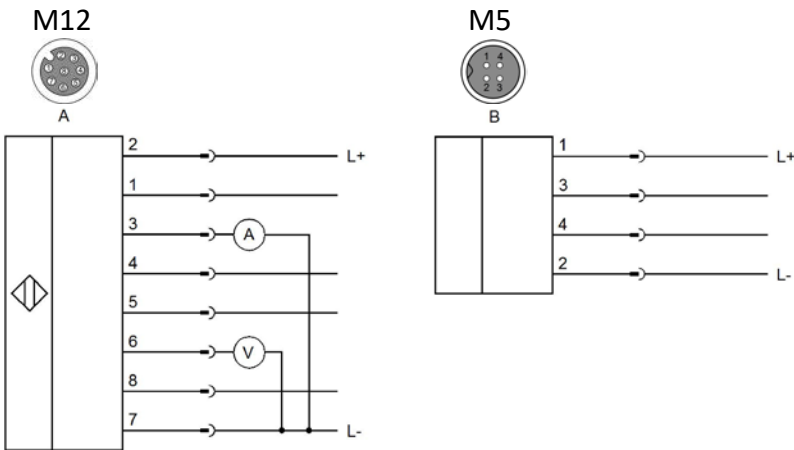
TECHNICAL DATA

operating voltage	+24V DC (± 10%)
current consumption	200mA
output signal (digital)	2x PNP/NPN, adjustable with Windows®
output current (max. load)	100mA
short-circuit protection	+
switching frequency	max. 3.3 kHz
output signal (analog)	U-OUT 0 ... 10V / I-OUT 4 ... 20mA note: linearization only active for the activated output
linearity deviation	≤ 0.25% of the measuring range
transmitting element	laser diode red
wavelength	670nm
interface	RS232, parameterizable with Windows®
display (2x tricolor-LED)	1x tricolor-LED with tolerance band monitoring 1x tricolor-LED power monitoring
dimensions	20.6 x 78 x 68mm
material (housing)	aluminum, black anodized
material (front screen)	glass
temperatur (operating)	-10 ... +50°C
temperatur (storage)	-20 ... +85°C
protection class (electronic)	IP54
protection class (optics)	IP67
connection	M12-connector, 8-pin, rotatable
connection accessories (control)	e.g. VK205A25
connection accessories (parameterization)	e.g. VK207U44
mounting accessories	AP000031

article no.	measuring range[mm]	reference distance[mm]	resolution[μm]*	form of light beam[mm]	laser class
PT640020	21 ... 45	32.5	6	spot \varnothing 0.3	1
PT640021	32 ... 70	50	10	spot \varnothing 0.3	1
PT640022	42 ... 120	80	20	spot \varnothing 0.3	1
PT640023	50 ... 200	125	40	spot \varnothing 0.3	1
PT640024	60 ... 300	180	60	spot \varnothing 0.3	1
PT640025	100 ... 600	350	150	spot \varnothing 0.3	2
PT640026	200 ... 1000	600	250	spot \varnothing 0.3	2
PT643020	21 ... 45	32.5	6	line 0.3 x 3	1
PT643021	32 ... 70	50	10	line 0.3 x 3	1
PT643022	42 ... 120	80	20	line 0.3 x 3	1
PT643023	50 ... 200	125	40	line 0.3 x 3	1
PT643024	60 ... 300	180	60	line 0.3 x 3	2
PT643025	100 ... 600	350	150	line 0.3 x 3	2
PT643026	200 ... 1000	600	250	line 0.3 x 3	2

* at reference distance

Connection

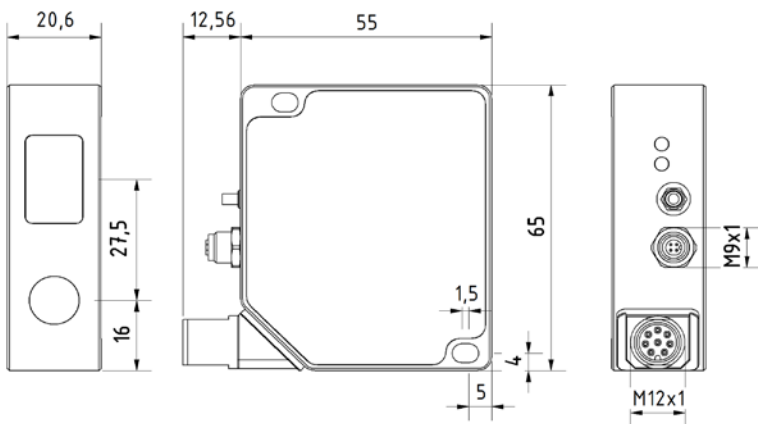


A: M12: 1 = WH (white), 2 = BN (brown), 3 = GN (green), 4 = YE (yellow), 5 = GY (gray), 6 = PK (pink), 7 = BU (blue), 8 = RD (red)

A: M12: 1 = OUT 1, 2 = L+, 3 = 4-20mA, 4 = IN 1 (teach, reset), 5 = Out 0, 6 = Out 0-10V, 7 = L-, 8 = IN 0 (ext. trigger)

B: M5: 1 = L+, 2 = L-, 3 = Rx, 4 = Tx

Dimensional drawing



SAFETY WARNINGS:

Before initial operation, please make sure to follow all safety instructions that may be provided in the product information!

Never use these articles in applications where the safety of a person depends on their functionality.

X-ON Electronics

Largest Supplier of Electrical and Electronic Components

Click to view similar products for [Photoelectric Sensors](#) category:

Click to view products by [IPF ELECTRONIC](#) manufacturer:

Other Similar products are found below :

[7442AD2X5FRX](#) [EX-19B-LP](#) [EX-19SB-PN](#) [7443AR0X5FRX](#) [7452AD4D4NNX](#) [7694ADE04DS2X](#) [FE7C-FRC6S-M](#) [FX-305](#) [PM-R24-R](#)
[Q45VR2FPQ](#) [13104RQD07](#) [E3JUXM4MN](#) [E3L2DC4](#) [E3S3LE21](#) [E3SCT11M1J03M](#) [E3SDS20E21](#) [E3VDS70C43S](#) [E3XNM16](#) [BR23P](#)
[HOA6563-001](#) [OJ-3307-30N8](#) [OS-311A-30](#) [P32013](#) [P34036](#) [P43004](#) [P60001](#) [PB10CNT15PO](#) [S14132](#) [935286-000](#) [S52101](#) [S56258](#) [FD-](#)
[SN500](#) [FE7B-FDRB6-M](#) [SU-79](#) [T36342](#) [T40300](#) [T60001](#) [PD60CNX20BP](#) [FX-302-HY](#) [FZS](#) [PM-T64W](#) [PZ2-51P](#) [CX-491-P-J](#) [CYNUTX10](#)
[UZB802](#) [UZB803](#) [UZFRG1](#) [UZFRG4](#) [UZFRT4](#) [UZFTT8](#)