

## PT663024

### LASER SENSORS • DISTANCE MEASUREMENT

sensor laser, diffuse-reflection sensor, 65x50x21mm, Sn:200-1000mm, Triangulation, 12-28V DC, 0-10V/4-20mA, Connector M12 8pin, IP67, Zinc die-cast+Glass, Laser diode, red light, Line, Teach-In



#### MECHANICAL FEATURES

Ambient temperature	0 °C ... 50 °C
Degree of protection (IP)	IP67
Design	Cuboid
Housing material	Zinc die-cast
Material of optical surface	Glass
Sensor height	65 mm
Sensor length	50 mm
Sensor width	20.6 mm
Volume	Medium

#### ELECTRICAL FEATURES

Absolute linearity deviation	10 mm
Alarm output	+
Decay time	0.9 ms
Measuring method for optical distance measurement	Triangulation
Measuring range length	200 mm ... 1000 mm
No-load current	100 mA
Number of pins	8
Range	1000 mm
Rated switching current	100 mA
Response time	0.9 ms
Response/decay time	0.9 ms
Reverse polarity protection	+
Scanning principle	Reflection sensor
Setting procedure	Teach-In
Short-circuit protection	+
Supply voltage	12 V ... 28 V
Type of alarm output	PNP
Type of analog output	0 V ... 10 V / 4 mA ... 20 mA
Type of electrical connection	Connector M12
Voltage type	DC
With LED display	+

## OPTICAL FEATURES

Light source	Laser diode, red light
Wavelength of the sensor	650 nm
Resolution	2500 $\mu\text{m}$
Light beam form	Line
Small light beam diameter	+
Teach-in limits distance	20 mm
Light spot, laser focus	21.25 mm <sup>2</sup>
Light spot range	21.25 mm <sup>2</sup> ... 87.5 mm <sup>2</sup>
With background lighting	+
Laser class	Class 2

## OTHER FEATURES

Relative linearity deviation	10 %
------------------------------	------

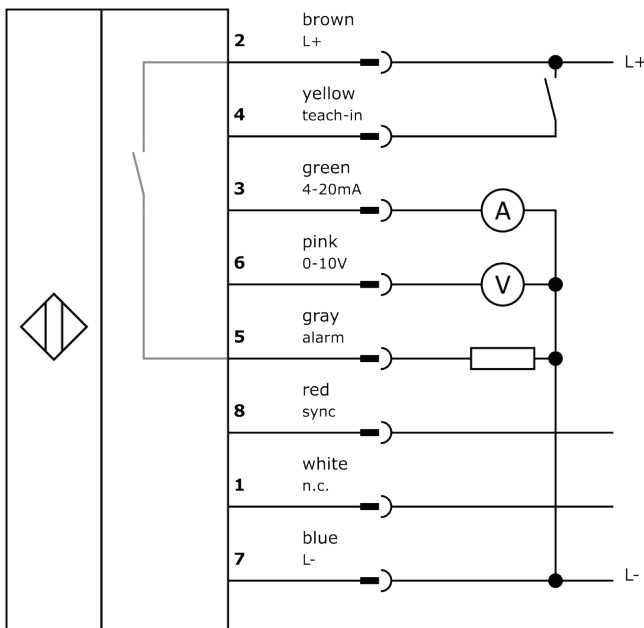
## Other

Packaging dimensions	99.0mm x 60mm x 160mm
Shipping weight	0.2kg
Tariff code	85365019

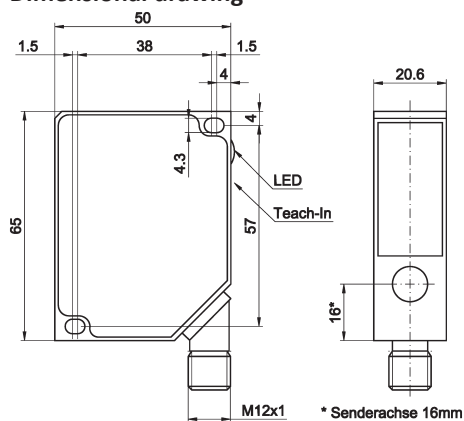
## Classification

ipf product group	169
eClass 8.0	27270801
eClass 9.0	27270801
eClass 9.1	27270801
ETIM-5.0	EC001825
ETIM-6.0	EC001825
ETIM-7.0	EC001825

## Connection



## Dimensional drawing



## Installation



Mounting / installation may only be carried out by a qualified electrician!

## Disposal



## Safety warnings

Before initial operation, please make sure to follow all safety instructions that may be provided in the product information. Never use these devices in applications where the safety of a person depends on their functionality. LED lighting systems can generate intensive UV radiation, which can damage your eyes in case of improper use. The manufacturer cannot be held responsible for damages that result from improper use or connection.

## X-ON Electronics

Largest Supplier of Electrical and Electronic Components

*Click to view similar products for [Photoelectric Sensors](#) category:*

*Click to view products by [IPF ELECTRONIC](#) manufacturer:*

Other Similar products are found below :

[7442AD2X5FRX](#) [EX-19B-LP](#) [EX-19SB-PN](#) [7443AR0X5FRX](#) [7452AD4D4NNX](#) [7694ADE04DS2X](#) [FE7C-FRC6S-M](#) [FX-305](#) [PM-R24-R](#)  
[Q45VR2FPQ](#) [13104RQD07](#) [E3JUXM4MN](#) [E3L2DC4](#) [E3S3LE21](#) [E3SCT11M1J03M](#) [E3SDS20E21](#) [E3VDS70C43S](#) [E3XNM16](#) [BR23P](#)  
[HOA6563-001](#) [OJ-3307-30N8](#) [OS-311A-30](#) [P32013](#) [P34036](#) [P43004](#) [P60001](#) [PB10CNT15PO](#) [S14132](#) [935286-000](#) [S52101](#) [S56258](#) [FD-](#)  
[SN500](#) [FE7B-FDRB6-M](#) [SU-79](#) [T36342](#) [T40300](#) [T60001](#) [PD60CNX20BP](#) [FX-302-HY](#) [FZS](#) [PM-T64W](#) [PZ2-51P](#) [CX-491-P-J](#) [CYNUTX10](#)  
[UZB802](#) [UZB803](#) [UZFRG1](#) [UZFRG4](#) [UZFRT4](#) [UZFTT8](#)