

optical sensors, laser

PRODUCT: cuboid devices, metal

design: 66 20.4x65x50

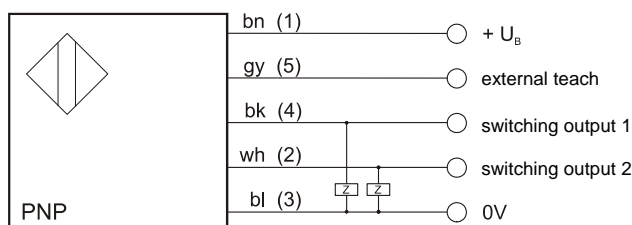
- robust metal housing
- status display by LED
- short-circuit and reverse polarity protection
- adjustable sensitivity via teach-in
- high repeatability
- class 2 laser
- connection with M12-connector



technical data

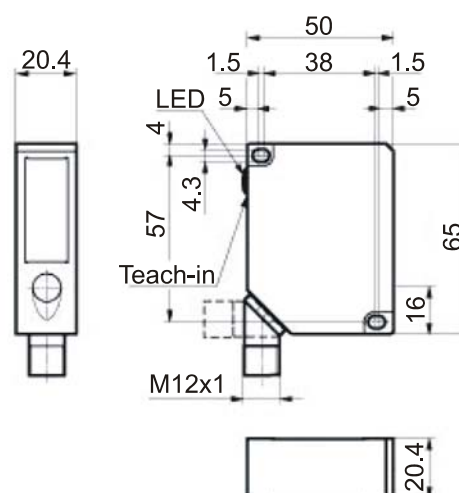
current consumption	< 100mA
voltage drop	< 5V DC
operating voltage	12 ... 28V DC
switching output	2 x pnp, no/nc
output current (switching output 1 / switching output 2)	< 100mA / < 20mA
response time	< 6msec
decay time	< 18msec
sensing range	200 ... 1500mm
light source	laser diode, red (675nm), pulsed
beam diameter	2mm
laser class	2
sensitivity adjustment	teach-in-button or external teach-line
ambient temperature	0 ... +50°C
system of protection (EN 60529)	IP67
housing material	zinc-diecast
electrical connection	M12-connector, 5-pin

electrical connection



bn=brown, wh=white, bk=black, gy= grey, bl= blue
terminal markings of the cable socket in clamps

dimensional drawing



article-no.: **PT 66 A6 10**

fitting cable socket: **e.g. VK 20 56 25**

X-ON Electronics

Largest Supplier of Electrical and Electronic Components

Click to view similar products for [Photoelectric Sensors](#) category:

Click to view products by [IPF ELECTRONIC](#) manufacturer:

Other Similar products are found below :

[7442AD2X5FRX](#) [EX-19B-LP](#) [EX-19SB-PN](#) [7443AR0X5FRX](#) [7452AD4D4NNX](#) [7694ADE04DS2X](#) [FE7C-FRC6S-M](#) [FX-305](#) [PM-R24-R](#)
[Q45VR2FPQ](#) [13104RQD07](#) [E3JUXM4MN](#) [E3L2DC4](#) [E3S3LE21](#) [E3SCT11M1J03M](#) [E3SDS20E21](#) [E3VDS70C43S](#) [E3XNM16](#) [BR23P](#)
[HOA6563-001](#) [OJ-3307-30N8](#) [OS-311A-30](#) [P32013](#) [P34036](#) [P43004](#) [P60001](#) [PB10CNT15PO](#) [S14132](#) [935286-000](#) [S52101](#) [S56258](#) [FD-](#)
[SN500](#) [FE7B-FDRB6-M](#) [SU-79](#) [T36342](#) [T40300](#) [T60001](#) [PD60CNX20BP](#) [FX-302-HY](#) [FZS](#) [PM-T64W](#) [PZ2-51P](#) [CX-491-P-J](#) [CYNUTX10](#)
[UZB802](#) [UZB803](#) [UZFRG1](#) [UZFRG4](#) [UZFRT4](#) [UZFTT8](#)