

**design** 25.4 x 66 x 51

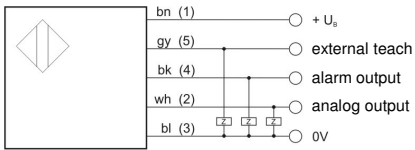
**measuring range** 200 ... 4000mm


- ✓ color independent measurement up to 4m
- ✓ high number of cycles
- ✓ measuring range limit via teach-in
- ✓ robust aluminium housing
- ✓ glass lens

**teach-in  
runtime measurement**

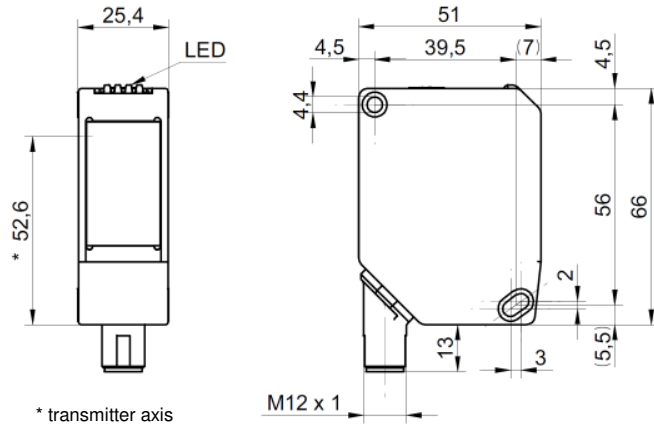

technical data	PT670020	PT670025
measuring range (white / grey / black)	200 ... 4000mm	200 ... 4000mm
setting	teach-in: button / line	teach-in: button / line
distance teach-in-limits	> 100mm	> 100mm
display (operating voltage)	LED green	LED green
display (alarm / soiling)	LED red	LED red
resolution	1.2mm	1.2mm
linearity deviation	± 20mm (0.5 ... 4m) ± 25mm (0.2 ... 4m)	± 20mm (0.5 ... 4m) ± 25mm (0.2 ... 4m)
repeat accuracy	± 5mm	± 5mm
transmitting element	laser diode, red, pulsed, 660nm	laser diode, red, pulsed, 660nm
laser class	2	2
beam shape / diameter	point / 2 ... 15mm	point / 2 ... 15mm
response / decay time	< 10msec	< 10msec
operating voltage	12 ... 28V DC	12 ... 28V DC
current consumption (w/o load)	250mA	250mA
analog output	4 ... 20mA	0 ... 10V
load resistance	< 300Ω	> 100kΩ
alarm output	push-pull, max. 70mA	push-pull, max. 70mA
short-circuit protection	+	+
reverse polarity protection	+	+
housing material	aluminium	aluminium
front screen material	glass	glass
ambient temperature	0 ... +50°C	0 ... +50°C
system of protection (EN 60529)	IP67	IP67
connection	M12-connector 5-pin, rotatable	M12-connector 5-pin, rotatable
connection accessories	e.g. <b>VK205625</b> , 2m, PUR, straight	e.g. <b>VK205625</b> , 2m, PUR, straight
mounting accessories	angle bracket <b>AP000021</b>	angle bracket <b>AP000021</b>

wiring diagram



bn= brown, wh = white, bk = black, gy = grey, bl = blue  
terminal markings of the cable socket in brackets

dimensional drawing



**Caution! Laser radiation!**  
Do not stare into beam!  
**Laser Diode**  
wave length 660nm  
max. output power < 1mW  
laser class 2

article-no.

**PT670020** analog output 4 ... 20mA

**PT670025** analog output 0 ...10V

**Warning:** Never use these devices in applications where the safety of a person depends on their functionality.

## X-ON Electronics

Largest Supplier of Electrical and Electronic Components

*Click to view similar products for [Photoelectric Sensors](#) category:*

*Click to view products by [IPF ELECTRONIC](#) manufacturer:*

Other Similar products are found below :

[7442AD2X5FRX](#) [EX-19B-LP](#) [EX-19SB-PN](#) [7443AR0X5FRX](#) [7452AD4D4NNX](#) [7694ADE04DS2X](#) [FE7C-FRC6S-M](#) [FX-305](#) [PM-R24-R](#)  
[Q45VR2FPQ](#) [13104RQD07](#) [E3JUXM4MN](#) [E3L2DC4](#) [E3S3LE21](#) [E3SCT11M1J03M](#) [E3SDS20E21](#) [E3VDS70C43S](#) [E3XNM16](#) [BR23P](#)  
[HOA6563-001](#) [OJ-3307-30N8](#) [OS-311A-30](#) [P32013](#) [P34036](#) [P43004](#) [P60001](#) [PB10CNT15PO](#) [S14132](#) [935286-000](#) [S52101](#) [S56258](#) [FD-](#)  
[SN500](#) [FE7B-FDRB6-M](#) [SU-79](#) [T36342](#) [T40300](#) [T60001](#) [PD60CNX20BP](#) [FX-302-HY](#) [FZS](#) [PM-T64W](#) [PZ2-51P](#) [CX-491-P-J](#) [CYNUTX10](#)  
[UZB802](#) [UZB803](#) [UZFRG1](#) [UZFRG4](#) [UZFRT4](#) [UZFTT8](#)