

PT700523

LASER SENSORS • DISTANCE MEASUREMENT

sensor laser, diffuse-reflection sensor, 90x70x30mm, Sn:300-6000mm, Light delay time, 18-30V DC, 2x PNP/NPN Push-pull, 4-20mA, Connector M12 5pin, IP67, Zinc die-cast+Glass, Laser diode, red light, Line, Teach-In



MECHANICAL FEATURES

Ambient temperature	-20 °C ... 50 °C
Degree of protection (IP)	IP67
Design	Cuboid
Housing material	Zinc die-cast
Material of optical surface	Glass
Sensor height	90 mm
Sensor length	70 mm
Sensor width	30 mm
Storage temperature	-30 °C ... 70 °C
Volume	Large

ELECTRICAL FEATURES

Absolute linearity deviation	5 mm
Decay time	300 ms
Measuring method for optical distance measurement	Light delay time
Measuring range length	300 mm ... 6000 mm
No-load current	150 mA
Number of pins	5
Number of switching outputs	2
Range	6000 mm
Rated switching current	100 mA
Relative repeat accuracy	10 %
Response time	300 ms
Response/decay time	300 ms
Reverse polarity protection	+
Scanning principle	Reflection sensor
Setting procedure	Teach-In
Short-circuit protection	+
Supply voltage	18 V ... 30 V
Type of analog output	4 mA ... 20 mA
Type of electrical connection	Connector M12
Type of switching function	Push-pull
Type of switching output	PNP/NPN

ELECTRICAL FEATURES

Voltage type	DC
With LED display	+

OPTICAL FEATURES

Light source	Laser diode, red light
Relative measurement accuracy	1 %
Wavelength of the sensor	658 nm
Resolution	3000 μm
Light beam form	Line
Light spot, laser focus	12 mm ²
Light spot range	12 mm ² ... 12 mm ²
With background lighting	+
Laser class	Class 2

OTHER FEATURES

Relative linearity deviation	5 %
------------------------------	-----

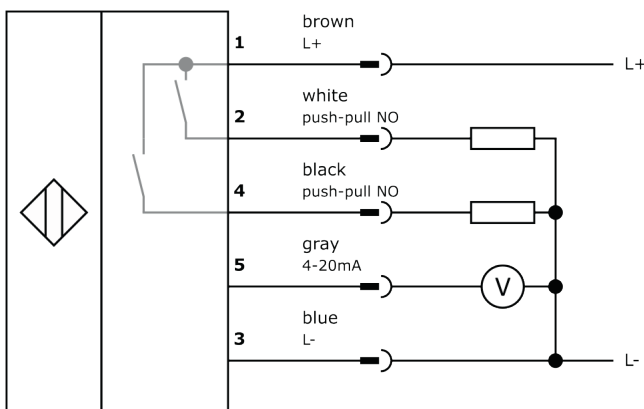
Other

Packaging dimensions	99.0mm x 60mm x 160mm
Shipping weight	0.53kg
Tariff code	85365019

Classification

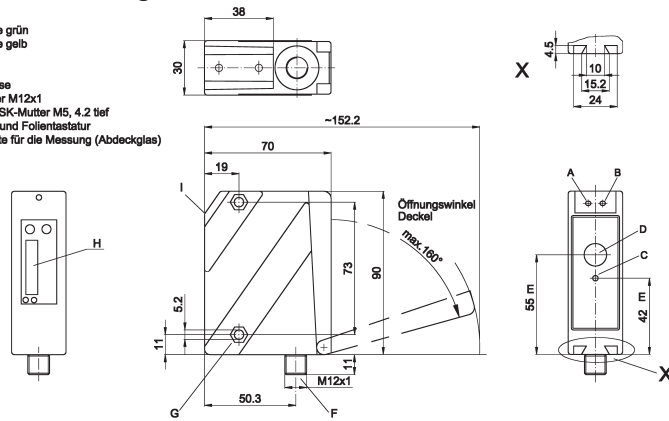
ipf product group	169
eClass 8.0	27270801
eClass 9.0	27270801
eClass 9.1	27270801
ETIM-5.0	EC001825
ETIM-6.0	EC001825
ETIM-7.0	EC001825

Connection



Dimensional drawing

- A Anzeigediode grün
- B Anzeigediode gelb
- C Sender
- D Empfänger
- E optische Achse
- F Gerätestecker M12x1
- G Senkung für SK-Mutter M5, 4.2 tief
- H LED Display und Folientastatur
- I Referenzkante für die Messung (Abdeckglas)



Installation



Mounting / installation may only be carried out by a qualified electrician!

Disposal



Safety warnings

Before initial operation, please make sure to follow all safety instructions that may be provided in the product information. Never use these devices in applications where the safety of a person depends on their functionality. LED lighting systems can generate intensive UV radiation, which can damage your eyes in case of improper use. The manufacturer cannot be held responsible for damages that result from improper use or connection.

X-ON Electronics

Largest Supplier of Electrical and Electronic Components

Click to view similar products for [Photoelectric Sensors](#) category:

Click to view products by [IPF ELECTRONIC](#) manufacturer:

Other Similar products are found below :

[7442AD2X5FRX](#) [EX-19B-LP](#) [EX-19SB-PN](#) [7443AR0X5FRX](#) [7452AD4D4NNX](#) [7694ADE04DS2X](#) [FE7C-FRC6S-M](#) [FX-305](#) [PM-R24-R](#)
[Q45VR2FPQ](#) [13104RQD07](#) [E3JUXM4MN](#) [E3L2DC4](#) [E3S3LE21](#) [E3SCT11M1J03M](#) [E3SDS20E21](#) [E3VDS70C43S](#) [E3XNM16](#) [BR23P](#)
[HOA6563-001](#) [OJ-3307-30N8](#) [OS-311A-30](#) [P32013](#) [P34036](#) [P43004](#) [P60001](#) [PB10CNT15PO](#) [S14132](#) [935286-000](#) [S52101](#) [S56258](#) [FD-](#)
[SN500](#) [FE7B-FDRB6-M](#) [SU-79](#) [T36342](#) [T40300](#) [T60001](#) [PD60CNX20BP](#) [FX-302-HY](#) [FZS](#) [PM-T64W](#) [PZ2-51P](#) [CX-491-P-J](#) [CYNUTX10](#)
[UZB802](#) [UZB803](#) [UZFRG1](#) [UZFRG4](#) [UZFRT4](#) [UZFTT8](#)