

PT900021

LASER SENSORS • DISTANCE MEASUREMENT

sensor laser, diffuse-reflection sensor, 50x194x95mm, Sn:200-35000mm, Phase comparison measurement, 10-30V DC, 1x PNP Programmable/configurable, 4-20mA, Connector M12 8pin, IP65, Aluminum Anodised+Glass, 0.01kHz, RS-232, Laser diode, red light, Po...



MECHANICAL FEATURES

Ambient temperature	-10 °C ... 60 °C
Degree of protection (IP)	IP65
Design	Cuboid
Housing coating	Anodized
Housing material	Aluminum
Material of optical surface	Glass
Sensor height	50 mm
Sensor length	194 mm
Sensor width	95 mm
Volume	Large

ELECTRICAL FEATURES

Absolute measuring accuracy	3 mm
Absolute repeat accuracy	500 µm
Linearity deviation	2 mm ... 3 mm
Measuring method for optical distance measurement	Phase comparison measurement
Measuring range length	200 mm ... 35000 mm
No-load current	100 mA
Number of pins	8
Number of pins of the communication interface	9
Number of switching outputs	1
Output transfer rate	10 Hz
Range	35000 mm
Rated switching current	500 mA
Reverse polarity protection	+
Scanning principle	Reflection sensor
Setting procedure	Parameterization
Short-circuit protection	+
Standard for interfaces	RS-232
Supply voltage	10 V ... 30 V
Switching frequency	10 Hz
Type of analog output	4 mA ... 20 mA
Type of communication interface	D-Sub

ELECTRICAL FEATURES

Type of electrical connection	Connector M12
Type of plug-in contact, communication interface	Female (socket)
Type of switching function	Programmable/configurable
Type of switching output	PNP
Voltage type	DC
With time function	-

OPTICAL FEATURES

Light source	Laser diode, red light
Wavelength of the sensor	650 nm
Resolution	1000 µm
Light beam form	Point
Light spot, laser focus	10 mm ²
Light spot range	10 mm ² ... 434 mm ²
With background lighting	+
Laser class	Class 2

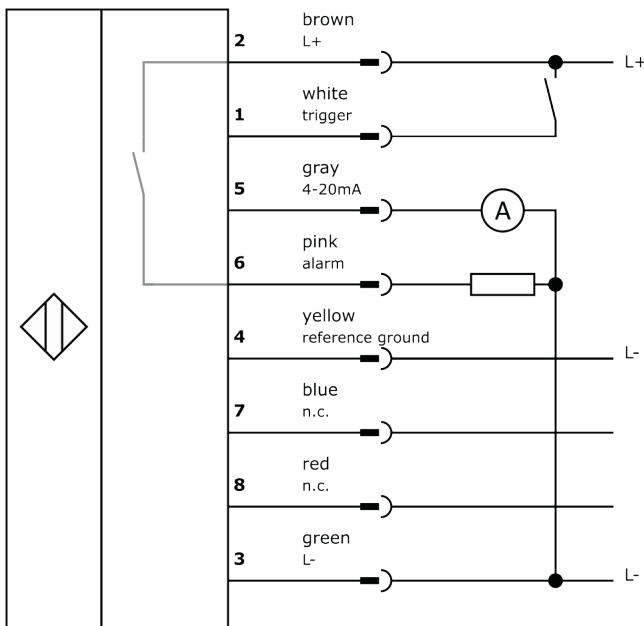
Other

Packaging dimensions	0.0mm x 0.0mm x 0.0mm
Shipping weight	
Tariff code	85365019

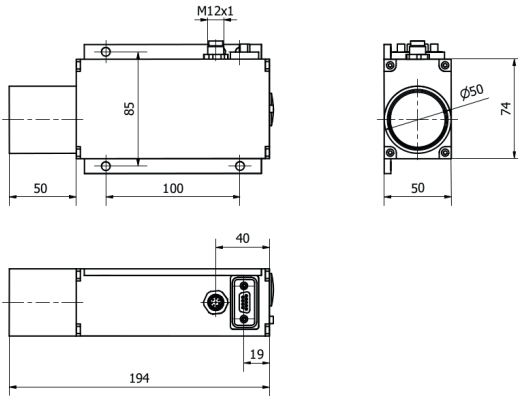
Classification

ipf product group	169
eClass 8.0	27270801
eClass 9.0	27270801
eClass 9.1	27270801
ETIM-5.0	EC001825
ETIM-6.0	EC001825
ETIM-7.0	EC001825

Connection



Dimensional drawing



Installation



Mounting / installation may only be carried out by a qualified electrician!

Disposal



Software

Any software, drivers or IODD files that may be required to operate your device can be downloaded free of charge from our homepage: www.ipf-electronic.com

Safety warnings

Before initial operation, please make sure to follow all safety instructions that may be provided in the product information. Never use these devices in applications where the safety of a person depends on their functionality.

LED lighting systems can generate intensive UV radiation, which can damage your eyes in case of improper use. The manufacturer cannot be held responsible for damages that result from improper use or connection.

X-ON Electronics

Largest Supplier of Electrical and Electronic Components

Click to view similar products for [Photoelectric Sensors](#) category:

Click to view products by [IPF ELECTRONIC](#) manufacturer:

Other Similar products are found below :

[7442AD2X5FRX](#) [EX-19B-LP](#) [EX-19SB-PN](#) [7443AR0X5FRX](#) [7452AD4D4NNX](#) [7694ADE04DS2X](#) [FE7C-FRC6S-M](#) [FX-305](#) [PM-R24-R](#)
[Q45VR2FPQ](#) [13104RQD07](#) [E3JUXM4MN](#) [E3L2DC4](#) [E3S3LE21](#) [E3SCT11M1J03M](#) [E3SDS20E21](#) [E3VDS70C43S](#) [E3XNM16](#) [BR23P](#)
[HOA6563-001](#) [OJ-3307-30N8](#) [OS-311A-30](#) [P32013](#) [P34036](#) [P43004](#) [P60001](#) [PB10CNT15PO](#) [S14132](#) [935286-000](#) [S52101](#) [S56258](#) [FD-](#)
[SN500](#) [FE7B-FDRB6-M](#) [SU-79](#) [T36342](#) [T40300](#) [T60001](#) [PD60CNX20BP](#) [FX-302-HY](#) [FZS](#) [PM-T64W](#) [PZ2-51P](#) [CX-491-P-J](#) [CYNUTX10](#)
[UZB802](#) [UZB803](#) [UZFRG1](#) [UZFRG4](#) [UZFRT4](#) [UZFTT8](#)