

PT98E231

LASER SENSORS • DISTANCE MEASUREMENT

sensor laser, diffuse-reflection sensor, 60x57x20mm, Sn:26-34mm, Resolution 0.5µm, Triangulation, 22-26V DC, 3x PNP/NPN Programmable/configurable, 0-10V/4-20mA, Cable 5m PVC, IP67, PBT+Acrylic glass, Laser diode, red light, Point, Manual adjustment



MECHANICAL FEATURES

Ambient temperature	-10 °C ... 45 °C
Cable length	5 m
Degree of protection (IP)	IP67
Design	Cuboid
Housing material	PBT
Material of cable sheath	PVC
Material of optical surface	Acrylic glass
Number of cores	10
Reflector included in the scope of delivery	-
Sensor height	60 mm
Sensor length	57 mm
Sensor width	20.4 mm
Storage temperature	-20 °C ... 60 °C
Volume	Medium

ELECTRICAL FEATURES

Alarm output	-
Equipment protection class	Protection class 3
Laser power	1 mW
Measuring method for optical distance measurement	Triangulation
Measuring range length	26 mm ... 34 mm
No-load current	100 mA
Number of switching outputs	3
Operating voltage	21.6 ... 26.4
Pre-failure message	-
Range	34 mm
Rated switching current	50 mA
Relative repeat accuracy	0.62 %
Residual ripple	2 %
Response/decay time	0.2 ms
Setting procedure	Manual adjustment
Supply voltage	21.6 V ... 26.4 V
Type of analog output	0 V ... 10 V / 4 mA ... 20 mA

ELECTRICAL FEATURES

Type of electrical connection	Cable
Type of switching function	Programmable/configurable
Type of switching output	PNP/NPN
Voltage type	DC
With LED display	+
With time function	-

OPTICAL FEATURES

Light source	Laser diode, red light
Light spot	0.01 mm ²
Wavelength of the sensor	655 nm
Resolution	0.5 µm
Light beam form	Point
Small light beam diameter	+
Laser focus distance	30 mm
Light spot, laser focus	0.01 mm ²
Light spot range	0.0225 mm ² ... 0.0225 mm ²
Laser class	Class 2

OTHER FEATURES

Relative linearity deviation	0.1 %
------------------------------	-------

Other

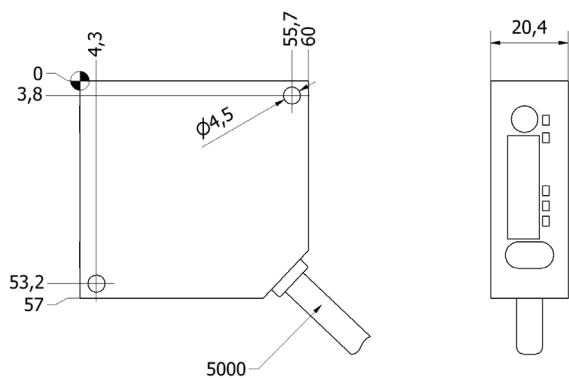
Packaging dimensions	230mm x 61.0mm x 290mm
Shipping weight	0.51kg
Tariff code	85365019

Classification

ipf product group	700
eClass 8.0	27270801
eClass 9.0	27270801
eClass 9.1	27270801
ETIM-5.0	EC001821
ETIM-6.0	EC001821
ETIM-7.0	EC001821

Connection

Dimensional drawing



Installation



Mounting / installation may only be carried out by a qualified electrician!

Disposal



Safety warnings

Before initial operation, please make sure to follow all safety instructions that may be provided in the product information. Never use these devices in applications where the safety of a person depends on their functionality. LED lighting systems can generate intensive UV radiation, which can damage your eyes in case of improper use. The manufacturer cannot be held responsible for damages that result from improper use or connection.

X-ON Electronics

Largest Supplier of Electrical and Electronic Components

Click to view similar products for [Photoelectric Sensors](#) category:

Click to view products by [IPF ELECTRONIC](#) manufacturer:

Other Similar products are found below :

[7442AD2X5FRX](#) [EX-19B-LP](#) [EX-19SB-PN](#) [7443AR0X5FRX](#) [7452AD4D4NNX](#) [7694ADE04DS2X](#) [FE7C-FRC6S-M](#) [FX-305](#) [PM-R24-R](#)
[Q45VR2FPQ](#) [13104RQD07](#) [E3JUXM4MN](#) [E3L2DC4](#) [E3S3LE21](#) [E3SCT11M1J03M](#) [E3SDS20E21](#) [E3VDS70C43S](#) [E3XNM16](#) [BR23P](#)
[HOA6563-001](#) [OJ-3307-30N8](#) [OS-311A-30](#) [P32013](#) [P34036](#) [P43004](#) [P60001](#) [PB10CNT15PO](#) [S14132](#) [935286-000](#) [S52101](#) [S56258](#) [FD-](#)
[SN500](#) [FE7B-FDRB6-M](#) [SU-79](#) [T36342](#) [T40300](#) [T60001](#) [PD60CNX20BP](#) [FX-302-HY](#) [FZS](#) [PM-T64W](#) [PZ2-51P](#) [CX-491-P-J](#) [CYNUTX10](#)
[UZB802](#) [UZB803](#) [UZFRG1](#) [UZFRG4](#) [UZFRT4](#) [UZFTT8](#)