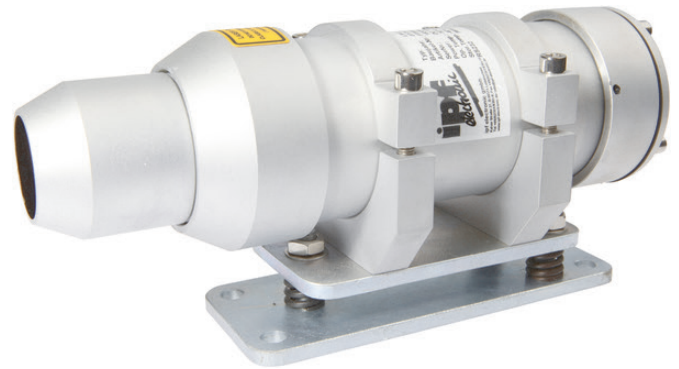


PT98E294

LASER SENSORS • DISTANCE MEASUREMENT

sensor laser, diffuse-reflection sensor, 50x239x96mm, Sn:200-30000mm, Phase comparison measurement, 10-30V DC, PNP, 4-20mA, Plug-in connection 12pin, IP65, Aluminum Anodised, RS-232, Laser diode, red light



MECHANICAL FEATURES

Ambient temperature	-10 °C ... 60 °C
Degree of protection (IP)	IP65
Design	Special construction
Housing coating	Anodized
Housing material	Aluminum
Sensor height	50 mm
Sensor length	239 mm
Sensor width	96 mm
Storage temperature	-20 °C ... 70 °C

ELECTRICAL FEATURES

Measuring method for optical distance measurement	Phase comparison measurement
Measuring range length	200 mm ... 30000 mm
No-load current	100 mA
Number of pins	12
Range	30000 mm
Scanning principle	Reflection sensor
Standard for interfaces	RS-232
Supply voltage	10 V ... 30 V
Type of analog output	4 mA ... 20 mA
Type of electrical connection	Plug-in connection
Type of switching output	PNP
Voltage type	DC

OPTICAL FEATURES

Light source	Laser diode, red light
Wavelength of the sensor	650 nm
With background lighting	+
Laser class	Class 2

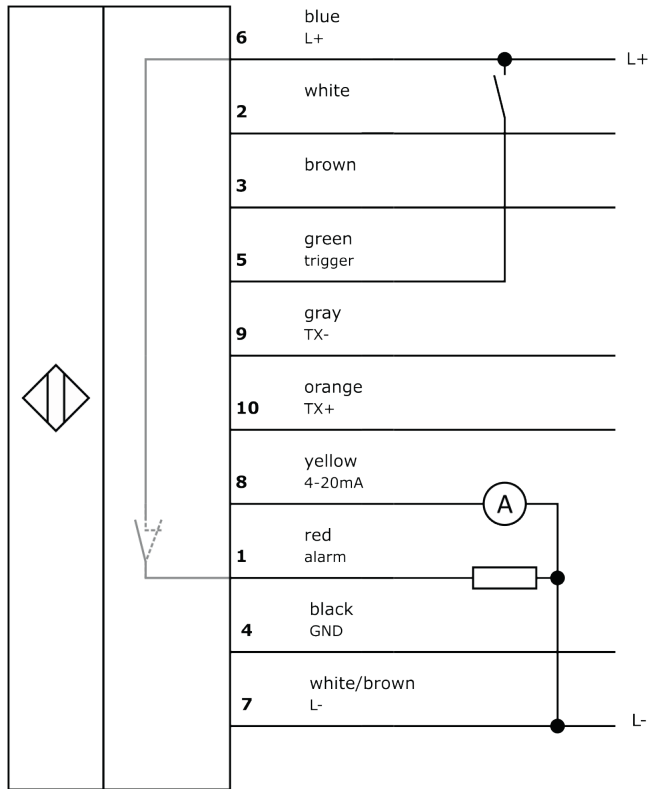
Other

Packaging dimensions	135.0mm x 127.0mm x 271.0mm
Shipping weight	2.1kg
Tariff code	85365019

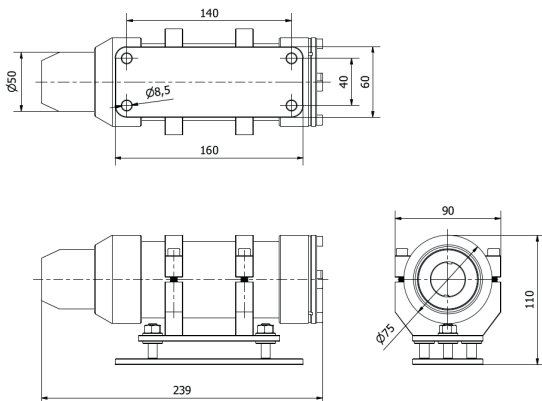
Classification

ipf product group	700
eClass 8.0	27270801
eClass 9.0	27270801
eClass 9.1	27270801
ETIM-5.0	EC001825
ETIM-6.0	EC001825
ETIM-7.0	EC001825

Connection



Dimensional drawing



Installation



Mounting / installation may only be carried out by a qualified electrician!

Disposal



Safety warnings

Before initial operation, please make sure to follow all safety instructions that may be provided in the product information.

Never use these devices in applications where the safety of a person depends on their functionality.

LED lighting systems can generate intensive UV radiation, which can damage your eyes in case of improper use. The manufacturer cannot be held responsible for damages that result from improper use or connection.

X-ON Electronics

Largest Supplier of Electrical and Electronic Components

Click to view similar products for [Photoelectric Sensors](#) category:

Click to view products by [IPF ELECTRONIC](#) manufacturer:

Other Similar products are found below :

[7442AD2X5FRX](#) [EX-19B-LP](#) [EX-19SB-PN](#) [7443AR0X5FRX](#) [7452AD4D4NNX](#) [7694ADE04DS2X](#) [FE7C-FRC6S-M](#) [FX-305](#) [PM-R24-R](#)
[Q45VR2FPQ](#) [13104RQD07](#) [E3JUXM4MN](#) [E3L2DC4](#) [E3S3LE21](#) [E3SCT11M1J03M](#) [E3SDS20E21](#) [E3VDS70C43S](#) [E3XNM16](#) [BR23P](#)
[HOA6563-001](#) [OJ-3307-30N8](#) [OS-311A-30](#) [P32013](#) [P34036](#) [P43004](#) [P60001](#) [PB10CNT15PO](#) [S14132](#) [935286-000](#) [S52101](#) [S56258](#) [FD-](#)
[SN500](#) [FE7B-FDRB6-M](#) [SU-79](#) [T36342](#) [T40300](#) [T60001](#) [PD60CNX20BP](#) [FX-302-HY](#) [FZS](#) [PM-T64W](#) [PZ2-51P](#) [CX-491-P-J](#) [CYNUTX10](#)
[UZB802](#) [UZB803](#) [UZFRG1](#) [UZFRG4](#) [UZFRT4](#) [UZFTT8](#)