

PTQ80376

Laser sensors

Diffuse reflection sensors with background suppression



- / plastic housing, compact design
- / adjustment via teach-in
- / LED-display with adjustment aid
- / M8-cable socket, 4-pin

laser protection class 1
background suppression

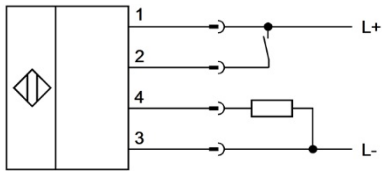


TECHNICAL DATA

dimensions	8.2 x 25.7 x 14.6mm
function	background suppression
sensing range	6 ... 70mm
adjustment range	10 ... 70mm
operating voltage	10 ... 30V DC
current consumption (w/o load)	≤ 12mA
output current (max. load)	≤ 50mA
output signal	PNP, no/nc
response / decay time	≤ 0.5 ms
switching frequency	1kHz
transmitting element (pulsed)	laser diode, red light, pulsed
light spot size	1 x 3mm
wavelength	655nm
short-circuit protection	+
reverse polarity protection	+
display (operating)	LED green
display (signal)	LED yellow
material (housing)	plastic (PUR)
material (front screen)	PMMA
degree of protection (EN60529)	IP 67
temperature (operating)	-20 ... +50°C
connection	M8-connector, 4-pin
connection accessories	e.g. VK200375
mounting accessories (universal holder)	AY000116

Connection

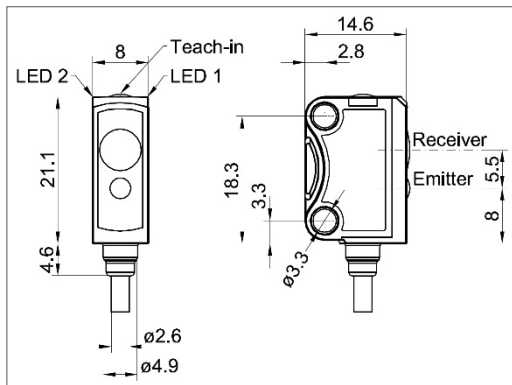
Notes to connect the white wire (PIN 2)



Colors: 1 = BN (brown), 2 = WH (white), 3 = BU (blue), 4 = BK (black)
Functions: 1 = L+, 2 = teach-in, 3 = L-, 4 = PNP, no/nc

Connection with L+: Teach-in in correspondence with the respective information
 Connection with L-: Teach-key locked
 No connection: Normal operation
 During normal operation it is recommended to connect the wire to a free pin.

Dimensional drawing



SAFETY WARNINGS:

Before initial operation, please make sure to follow all safety instructions that may be provided in the product information!

Never use these articles in applications where the safety of a person depends on their functionality.

X-ON Electronics

Largest Supplier of Electrical and Electronic Components

Click to view similar products for [Photoelectric Sensors](#) category:

Click to view products by [IPF ELECTRONIC](#) manufacturer:

Other Similar products are found below :

[7442AD2X5FRX](#) [EX-19B-LP](#) [EX-19SB-PN](#) [7443AR0X5FRX](#) [7452AD4D4NNX](#) [7694ADE04DS2X](#) [FE7C-FRC6S-M](#) [FX-305](#) [PM-R24-R](#)
[Q45VR2FPQ](#) [13104RQD07](#) [E3JUXM4MN](#) [E3L2DC4](#) [E3S3LE21](#) [E3SCT11M1J03M](#) [E3SDS20E21](#) [E3VDS70C43S](#) [E3XNM16](#) [BR23P](#)
[HOA6563-001](#) [OJ-3307-30N8](#) [OS-311A-30](#) [P32013](#) [P34036](#) [P43004](#) [P60001](#) [PB10CNT15PO](#) [S14132](#) [935286-000](#) [S52101](#) [S56258](#) [FD-](#)
[SN500](#) [FE7B-FDRB6-M](#) [SU-79](#) [T36342](#) [T40300](#) [T60001](#) [PD60CNX20BP](#) [FX-302-HY](#) [FZS](#) [PM-T64W](#) [PZ2-51P](#) [CX-491-P-J](#) [CYNUTX10](#)
[UZB802](#) [UZB803](#) [UZFRG1](#) [UZFRG4](#) [UZFRT4](#) [UZFTT8](#)