

## VK001021

### CONNECTION TECHNOLOGY • DISTRIBUTION TERMINALS

distributor, 4x M8 3pin, M12 12pin, PBT, With LED display



#### MECHANICAL FEATURES

Housing material	PBT
------------------	-----

#### ELECTRICAL FEATURES

Number of pins	12
Number of pins of sensor/actuator slots	3
Number of sensor/actuator slots	4
Type of branches for sensor/actuator cables	M8
Type of plug connector for trunk line	M12
Voltage type	DC
With LED display	+

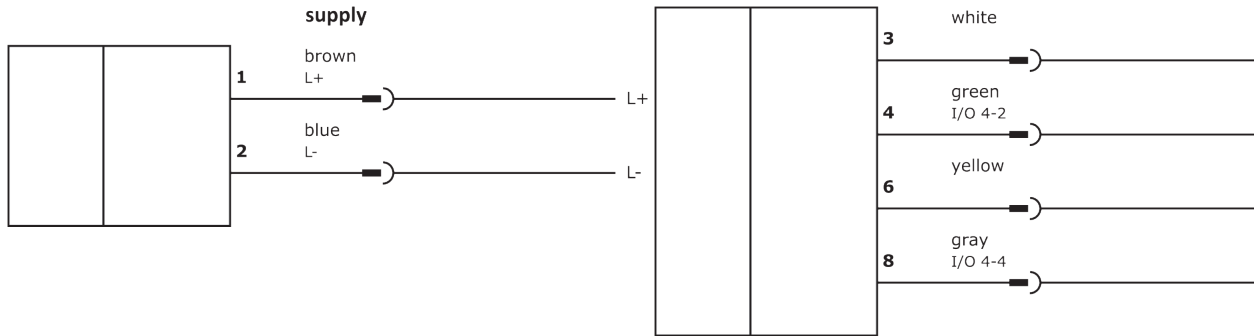
#### Other

Packaging dimensions	70mm x 38.0mm x 168.0mm
Shipping weight	0.1kg
Tariff code	85366990

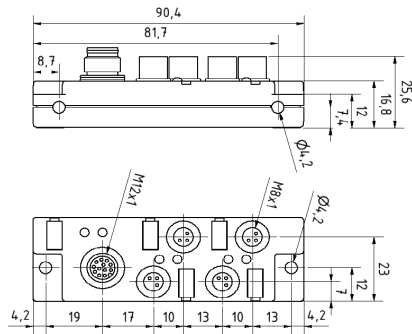
#### Classification

ipf product group	855
eClass 8.0	27279219
eClass 9.0	27440108
eClass 9.1	27440108
ETIM-5.0	EC002585
ETIM-6.0	EC002585
ETIM-7.0	EC002585

## Connection



## Dimensional drawing



## Installation



Mounting / installation may only be carried out by a qualified electrician!

## Disposal



## Safety warnings

Before initial operation, please make sure to follow all safety instructions that may be provided in the product information.

Never use these devices in applications where the safety of a person depends on their functionality.

LED lighting systems can generate intensive UV radiation, which can damage your eyes in case of improper use. The manufacturer cannot be held responsible for damages that result from improper use or connection.

## X-ON Electronics

Largest Supplier of Electrical and Electronic Components

*Click to view similar products for [Sensor Cables / Actuator Cables](#) category:*

*Click to view products by [IPF ELECTRONIC](#) manufacturer:*

Other Similar products are found below :

[60963](#) [60964](#) [M83513/19-F01CP](#) [703000D02F2002](#) [703000D02F300](#) [703001D02F0602](#) [703001D02F1201](#) [703001D02F300](#)  
[704000D02F120](#) [773032K02F030](#) [802027107404-1](#) [802027213811-1](#) [804001A09M150](#) [805001A09M0502](#) [84914-0235](#) [84914-0237](#)  
[885030A09M010](#) [885030A09M020](#) [8R4J30E03C3003](#) [1200651332](#) [1200651713](#) [1200660844](#) [1200660845](#) [1200661173](#) [1200680071](#)  
[1200720053](#) [1200720081](#) [1200720099](#) [1200720217](#) [1200800231](#) [1200860125](#) [1200870123](#) [1200980102](#) [1200650218](#) [1200650298](#)  
[1200660183](#) [1200660782](#) [1200660849](#) [1200661295](#) [1200661297](#) [1200661342](#) [1200661343](#) [1200670080](#) [1200670220](#) [1200680331](#)  
[1200720252](#) [1200720255](#) [1200720597](#) [1200730184](#) [1200860344](#)