

VK001025

CONNECTION TECHNOLOGY • DISTRIBUTION TERMINALS

distributor, 4x M8 3pin, PBT, With LED display



MECHANICAL FEATURES

| | |
|--------------------------|--------------------|
| Cable length | 5 m |
| Housing material | PBT |
| Material of cable sheath | PUR (Polyurethane) |

ELECTRICAL FEATURES

| | |
|---|----|
| Number of pins of sensor/actuator slots | 3 |
| Number of sensor/actuator slots | 4 |
| Type of branches for sensor/actuator cables | M8 |
| Voltage type | DC |
| With LED display | + |

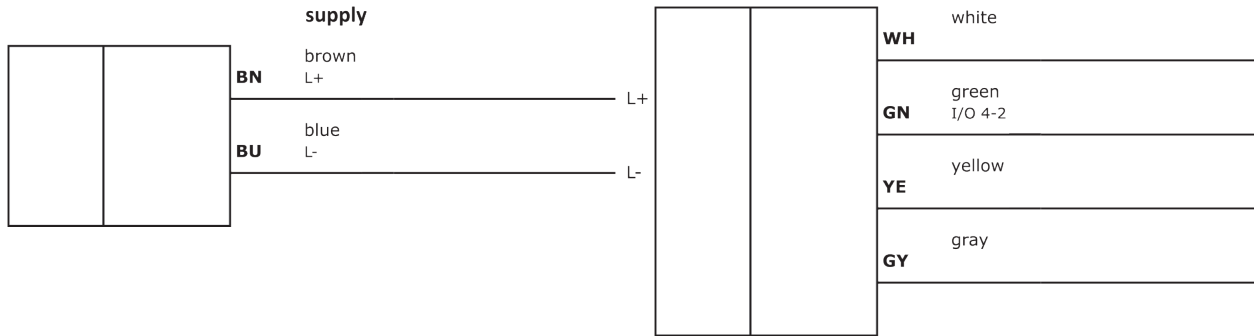
Other

| | |
|----------------------|------------------------|
| Packaging dimensions | 200mm x 20mm x 325.0mm |
| Shipping weight | 0.25kg |
| Tariff code | 85366990 |

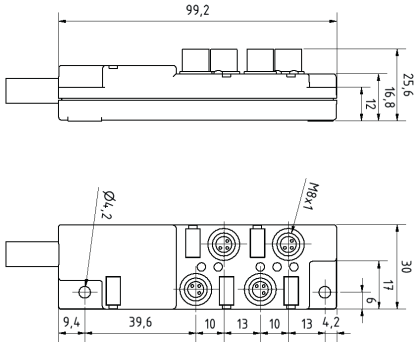
Classification

| | |
|-------------------|----------|
| ipf product group | 855 |
| eClass 8.0 | 27279219 |
| eClass 9.0 | 27440108 |
| eClass 9.1 | 27440108 |
| ETIM-5.0 | EC002585 |
| ETIM-6.0 | EC002585 |
| ETIM-7.0 | EC002585 |

Connection



Dimensional drawing



Installation



Mounting / installation may only be carried out by a qualified electrician!

Disposal



Safety warnings

Before initial operation, please make sure to follow all safety instructions that may be provided in the product information. Never use these devices in applications where the safety of a person depends on their functionality. LED lighting systems can generate intensive UV radiation, which can damage your eyes in case of improper use. The manufacturer cannot be held responsible for damages that result from improper use or connection.

X-ON Electronics

Largest Supplier of Electrical and Electronic Components

Click to view similar products for [Sensor Cables / Actuator Cables](#) category:

Click to view products by [IPF ELECTRONIC](#) manufacturer:

Other Similar products are found below :

[60963](#) [60964](#) [M83513/19-F01CP](#) [703000D02F2002](#) [703000D02F300](#) [703001D02F0602](#) [703001D02F1201](#) [703001D02F300](#)
[704000D02F120](#) [773032K02F030](#) [802027107404-1](#) [802027213811-1](#) [804001A09M150](#) [805001A09M0502](#) [84914-0235](#) [84914-0237](#)
[885030A09M010](#) [885030A09M020](#) [8R4J30E03C3003](#) [1200651332](#) [1200651713](#) [1200660844](#) [1200660845](#) [1200661173](#) [1200680071](#)
[1200720053](#) [1200720081](#) [1200720099](#) [1200720217](#) [1200800231](#) [1200860125](#) [1200870123](#) [1200980102](#) [1200650218](#) [1200650298](#)
[1200660183](#) [1200660782](#) [1200660849](#) [1200661295](#) [1200661297](#) [1200661342](#) [1200661343](#) [1200670080](#) [1200670220](#) [1200680331](#)
[1200720252](#) [1200720255](#) [1200720597](#) [1200730184](#) [1200860344](#)