

## VK060F72

### CONNECTION TECHNOLOGY • CABLE SOCKETS / CONNECTORS PRE-ASSEMBLED ON TWO SIDES

, 0.6m, M8 Female (socket) 3pin Angular, M8 Male (plug) 3pin Straight, 3x0.34mm<sup>2</sup>, PUR (Polyurethane), IP67, With LED display, Suitable for trailing chain and torsion resistant, Oil and cooling lubricants, Welding area, Silicone-free



#### MECHANICAL FEATURES

|   |                               |
|---|-------------------------------|
| Cable infeed of A connection                    | Angular                       |
| Cable infeed of B connection                    | Straight                      |
| Cable length                                    | 0.6 m                         |
| Degree of protection (IP)                       | IP67                          |
| Material of cable sheath                        | PUR (Polyurethane)            |
| Number of cores                                 | 3                             |
| Perm. ambient temperature of cable, fixed cable | -25 °C ... 80 °C              |
| Suitable for trailing chain                     | +                             |
| Torsion cycles                                  | +/-360°/m, ≥ 2 million cycles |
| Trailing chain cycles                           | 5 million cycles              |
| Version   | Connection cable              |
| Wire assembly                                   | 42 x 0.1mm                    |
| Wire cross section                              | 0.34 mm <sup>2</sup>          |

#### ELECTRICAL FEATURES

|                                       |                 |
|---------------------------------------|-----------------|
| Number of pins of A connection        | 3               |
| Number of pins of B connection        | 3               |
| Type of A electrical connection       | M8              |
| Type of B electrical connection       | M8              |
| Type of plug-in contact, A connection | Female (socket) |
| Type of plug-in contact, B connection | Male (plug)     |
| With LED display                      | +               |

#### OTHER FEATURES

|   |                                 |
|---|---------------------------------|
| Flame retardant                                   | In accordance with EN 60332-2-2 |
| Free of LABS                                      | +                               |
| Halogen-free                                      | +                               |
| Hydrolysis-proof                                  | +                               |
| IR-networked                                      | -                               |
| Oil and cooling lubricants                        | +                               |
| Ozone and UV-resistant                            | +                               |
| Silicone-free                                     | +                               |
| Suitable for trailing chain and torsion resistant | +                               |

## OTHER FEATURES

Welding area +

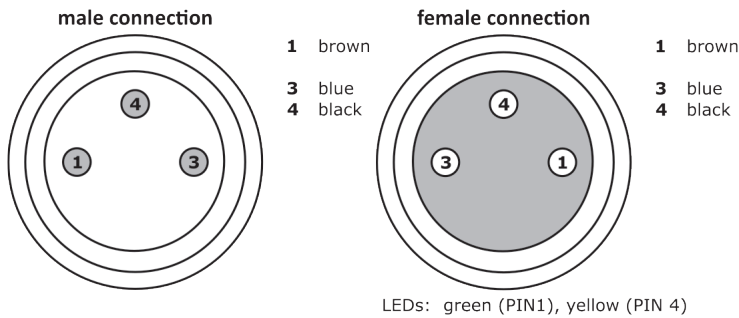
### Other

|                      |                      |
|----------------------|----------------------|
| Packaging dimensions | 150mm x 10mm x 150mm |
| Shipping weight      | 0.02kg               |
| Tariff code          | 85444290             |

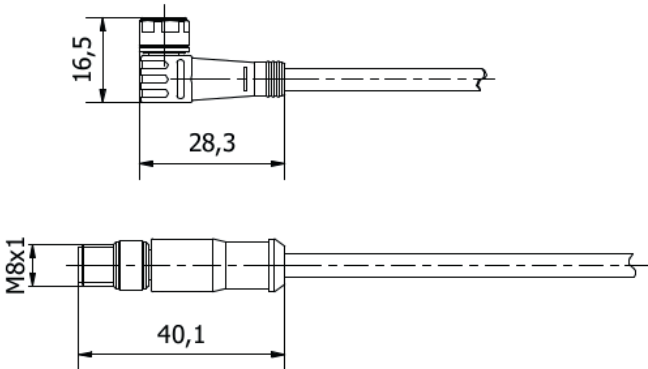
### Classification

|                   |          |
|-------------------|----------|
| ipf product group | 851      |
| eClass 8.0        | 27279218 |
| eClass 9.0        | 27060311 |
| eClass 9.1        | 27060311 |
| ETIM-5.0          | EC001855 |
| ETIM-6.0          | EC001855 |
| ETIM-7.0          | EC001855 |

## Connection



## Dimensional drawing



## Installation



Mounting / installation may only be carried out by a qualified electrician!

## Disposal



## Safety warnings

Before initial operation, please make sure to follow all safety instructions that may be provided in the product information. Never use these devices in applications where the safety of a person depends on their functionality. LED lighting systems can generate intensive UV radiation, which can damage your eyes in case of improper use. The manufacturer cannot be

held responsible for damages that result from improper use or connection.

## X-ON Electronics

Largest Supplier of Electrical and Electronic Components

*Click to view similar products for [Sensor Cables / Actuator Cables](#) category:*

*Click to view products by [IPF ELECTRONIC](#) manufacturer:*

Other Similar products are found below :

[60963](#) [60964](#) [M83513/19-F01CP](#) [703000D02F2002](#) [703000D02F300](#) [703001D02F0602](#) [703001D02F1201](#) [703001D02F300](#)  
[704000D02F120](#) [773032K02F030](#) [802027107404-1](#) [802027213811-1](#) [804001A09M150](#) [805001A09M0502](#) [84914-0235](#) [84914-0237](#)  
[885030A09M010](#) [885030A09M020](#) [8R4J30E03C3003](#) [1200651332](#) [1200651713](#) [1200660844](#) [1200660845](#) [1200661173](#) [1200680071](#)  
[1200720053](#) [1200720081](#) [1200720099](#) [1200720217](#) [1200800231](#) [1200860125](#) [1200870123](#) [1200980102](#) [1200650218](#) [1200650298](#)  
[1200660183](#) [1200660782](#) [1200660849](#) [1200661295](#) [1200661297](#) [1200661342](#) [1200661343](#) [1200670080](#) [1200670220](#) [1200680331](#)  
[1200720252](#) [1200720255](#) [1200720597](#) [1200730184](#) [1200860344](#)