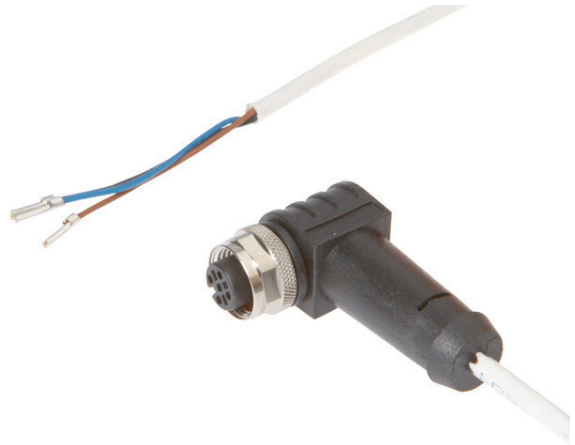


## VK20H021

### CONNECTION TECHNOLOGY • CABLE SOCKETS / CONNECTORS PRE-ASSEMBLED ON ONE SIDE

, 2m, M12 Female (socket) 3pin Angular, Free conductor end, 3x0.34mm<sup>2</sup>, PTFE, Ø3.8mm, 250V, 150°C, IP65, Oil and cooling lubricants, Welding area



#### MECHANICAL FEATURES

Cable infeed of A connection	Angular
Cable length	2 m
Contact body material	Brass
Degree of protection (IP)	IP65
Increased ambient temperature > 90°C	+
Material of cable sheath	Polytetrafluorethylene (PTFE)
Number of cores	3
Perm. ambient temperature of cable, fixed cable	-20 °C ... 150 °C
Seawater-resistant	+
Version	Connection cable
Wire assembly	7 x 0.254mm
Wire cross section	0.34 mm <sup>2</sup>

#### ELECTRICAL FEATURES

Flow resistance	5 mOhm
Line diameter	3.8 mm
Number of pins of A connection	3
Rated current	4 A
Rated voltage	250 V
Type of A electrical connection	M12
Type of B electrical connection	Free conductor end
Type of plug-in contact, A connection	Female (socket)
With LED display	-

#### OTHER FEATURES

Acid and alkali-resistant	+
Flame retardant	No
Free of LABS	+
Hydrolysis-proof	+
IR-networked	-
Oil and cooling lubricants	+
Ozone and UV-resistant	+
Suitable for trailing chain and torsion resistant	-

## OTHER FEATURES

Welding area	+
--------------	---

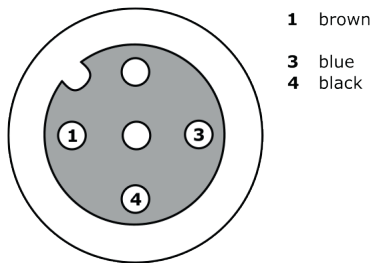
### Other

Packaging dimensions	170mm x 20mm x 170mm
Shipping weight	0.18kg
Tariff code	85444290

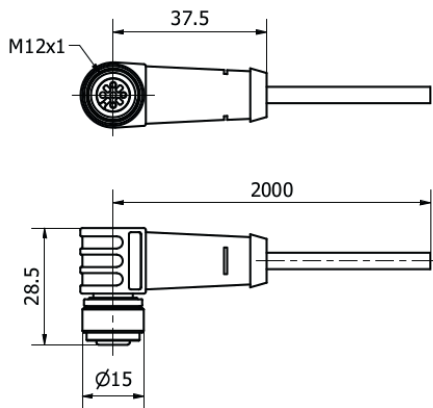
### Classification

ipf product group	853
eClass 8.0	27279218
eClass 9.0	27060311
eClass 9.1	27060311
ETIM-5.0	EC001855
ETIM-6.0	EC001855
ETIM-7.0	EC001855

## Connection



## Dimensional drawing



## Installation



Mounting / installation may only be carried out by a qualified electrician!

## Disposal



## Safety warnings

Before initial operation, please make sure to follow all safety instructions that may be provided in the product information. Never use these devices in applications where the safety of a person depends on their functionality. LED lighting systems can generate intensive UV radiation, which can damage your eyes in case of improper use. The manufacturer cannot be held responsible for damages that result from improper use or connection.

## X-ON Electronics

Largest Supplier of Electrical and Electronic Components

*Click to view similar products for [Sensor Cables / Actuator Cables](#) category:*

*Click to view products by [IPF ELECTRONIC](#) manufacturer:*

Other Similar products are found below :

[60963](#) [60964](#) [M83513/19-F01CP](#) [703000D02F2002](#) [703000D02F300](#) [703001D02F0602](#) [703001D02F1201](#) [703001D02F300](#)  
[704000D02F120](#) [773032K02F030](#) [802027107404-1](#) [802027213811-1](#) [804001A09M150](#) [805001A09M0502](#) [84914-0235](#) [84914-0237](#)  
[885030A09M010](#) [885030A09M020](#) [8R4J30E03C3003](#) [1200651332](#) [1200651713](#) [1200660844](#) [1200660845](#) [1200661173](#) [1200680071](#)  
[1200720053](#) [1200720081](#) [1200720099](#) [1200720217](#) [1200800231](#) [1200860125](#) [1200870123](#) [1200980102](#) [1200650218](#) [1200650298](#)  
[1200660183](#) [1200660782](#) [1200660849](#) [1200661295](#) [1200661297](#) [1200661342](#) [1200661343](#) [1200670080](#) [1200670220](#) [1200680331](#)  
[1200720252](#) [1200720255](#) [1200720597](#) [1200730184](#) [1200860344](#)