



SMD5730 Single LED Module



Product Description

- This size LED module has 50pcs per chain,
- There are 3pcs super bright SMD5730 LED chip,
- Wire length 66mm spacing ,
- The DC in and out cable we connected together so the voltage drop quite slow allows you put less power cable during installation.



- Self-adhesive tape on each module;
- Low heat, high brightness.
- Energy efficient, major reduction in power costs;
- without lead healthy, environmental friendly.
- Long service life more than 50000 hrs;



Product Datasheet

Product Number	M015003JB1LZ/HYH-IM-N
Light Source	3pcs SMD 5730
Beam Angle	160°
LED Modules/String	50 modules/string
Size (mm)	66x15 mm
Emitting Color	White/Warm white/Red/Green/Blue/Yellow/Pink
Operating Voltage	DC12V
Power (W)	1.2W/string
Waterproof	P68
Luminance/pcs	120-130LM (White/Warm white)

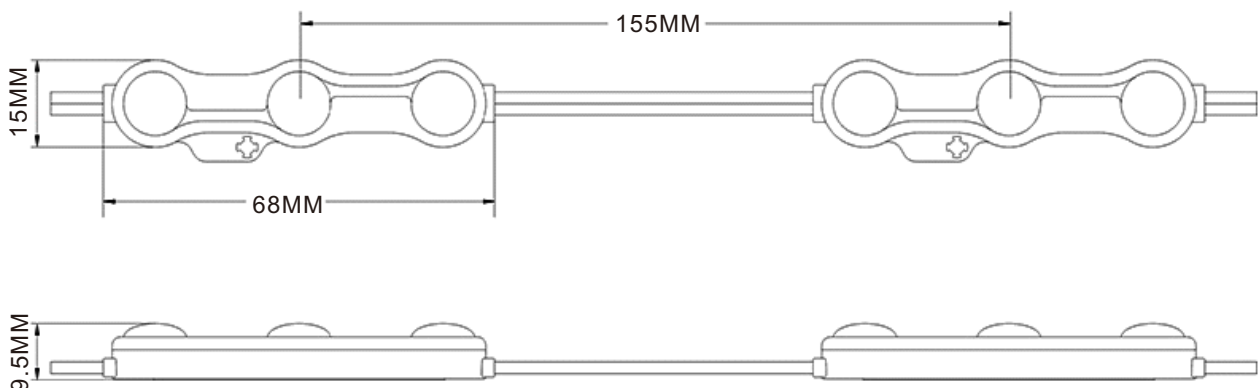
Application



1. Small size channel letters.
3. Back lighting for Billboard.

2. Ultra thin cabinet.
4. Advertising signs.

Outline Dimension



X-ON Electronics

Largest Supplier of Electrical and Electronic Components

Click to view similar products for IPIXEL LED manufacturer:

Other Similar products are found below :

[S012060CC4PZ \(RGB+3000K IP20\)](#) [S004060DA3SA5](#) [N006096BA3SF](#) [S010060CA3SA1](#) [N006120BB1LZ \(ICE BLUE\)](#) [S007144DA3SA1](#)
[S005060DA4SA1](#) [N006120BC1LZ \(VIOLET\)](#) [N010060CC4LZ](#) [N013120BC1LZ \(WARM WHITE\)](#) [S020090CB3SF](#) [S012060CA3SA2](#)
[S008320ZC1LZ \(COLD WHITE IP20\)](#) [N006120BC1LZ \(RED\)](#) [S010120BB1LZ \(WARM WHITE IP20\)](#) [S012060CC4ST](#) [S010120BC1LZ](#)
[\(COLD WHITE IP20\)](#) [N006120BC1LZ \(GOLDEN YELLOW\)](#) [N012120BB1LZ \(WARM WHITE\)](#) [S012144CB3SB7](#) [P038009CC3SB IP67](#)
[S012144CA3SA2](#) [N006120BC1LZ \(GREEN\)](#) [N010060CA4SA1](#) [S008060CA3SA1](#) [S010030CA3SA2](#) [N008120BB1LZ \(BLUE\)](#)
[S008120TB3PZ](#) [S008060BB1LZ \(COLD WHITE IP20\)](#) [P026003CB3SC IP65](#) [S010120BC1LZ \(WARM WHITE IP65\)](#) [S012060CB4ST](#)
[\(BLACK PCB\)](#) [S010030CB3SB7](#) [S010030CC1LZ \(WARM WHITE IP20\)](#) [N006120BB1LZ \(GREEN\)](#) [N010001](#) [S005030DA4SA1](#)
[S010060CA4SA1](#) [P038006CC3SE IP67](#) [P012001NA3SF](#) [P012001NB3SF](#) [P023002DB3SC](#) [S010060CB1LZ \(NEUTRAL WHITE IP20\)](#)
[S010060CB1LZ \(COLD WHITE IP20\)](#) [S010120BB1LZ \(NEUTRAL WHITE IP65\)](#) [N006120BB1LZ \(COLD WHITE\)](#) [S010030CB1LZ](#)
[\(NEUTRAL WHITE IP20\)](#) [S010060CC1LZ \(WARM WHITE IP20\)](#) [N006120BB1LZ \(VIOLET\)](#) [N006120BC1LZ \(BLUE\)](#)