

## 4x10mm single color side emitting led neon strip DC24V



### ◆ Product Description:

This neon strip is side view with a translucent silicone rubber as a diffuser, light uniform and no spot. It is designed to be bent side to side with light projecting upwards.

This silicone rubber is anti-UV, anti-yellowing, anti-aging, environmental protection, non-toxic, and very soft.

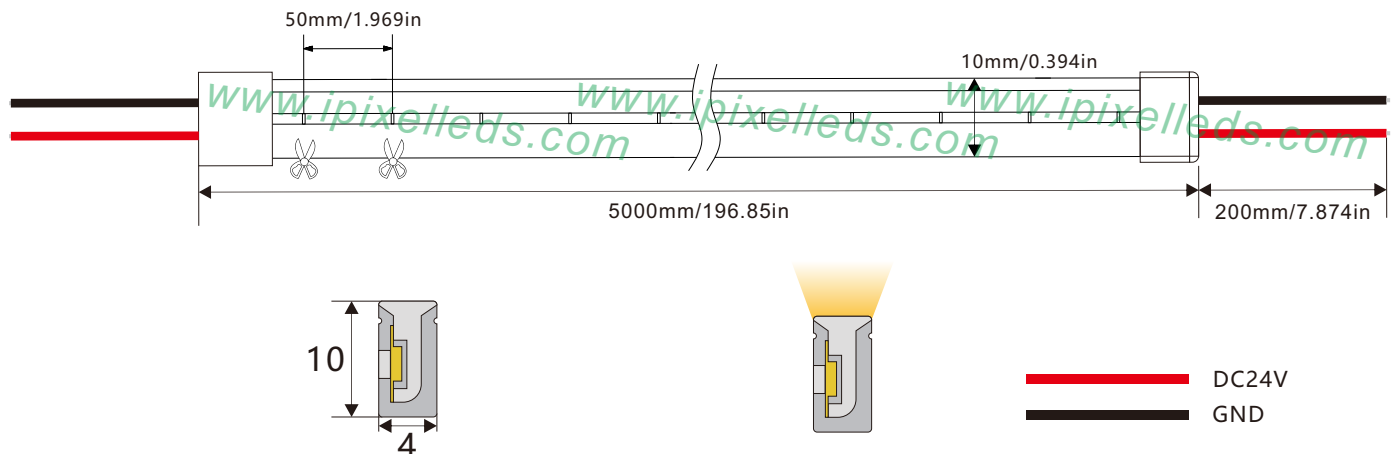
Use highlighted 2835 LED chips, it's long life, low light decay, and good color consistency. Standard length is 5M/roll, length can be customized, there are cutting marks on the side.

IP65 waterproof for outdoor use

### ◆ Product Datasheet

|                   |                                 |                       |              |
|-------------------|---------------------------------|-----------------------|--------------|
| Product Number    | N004120BC1LZ                    | Luminance/M           | W: 210lm     |
| Operating Voltage | DC24V                           | Ra                    | ≥ 80         |
| Power/M           | 5W                              | Beam Angle            | 120°         |
| SMD Type          | SMD 2835                        | Size (mm)             | 5000x4x10mm  |
| LED Qty/M         | 120                             | IP Rate               | IP65         |
| Color             | R/G/B/W:3000K/4000K/6000K       | Operation Temperature | - 25 ~ 60 °C |
| Pixel/M           | /                               | Material              | Silicone     |
| Control           | /                               | Cutting Length        | 50mm         |
| Wavelength        | R:620-625 G:520-525 B:460-465nm | Net Weight/Roll       | 0.3Kg        |

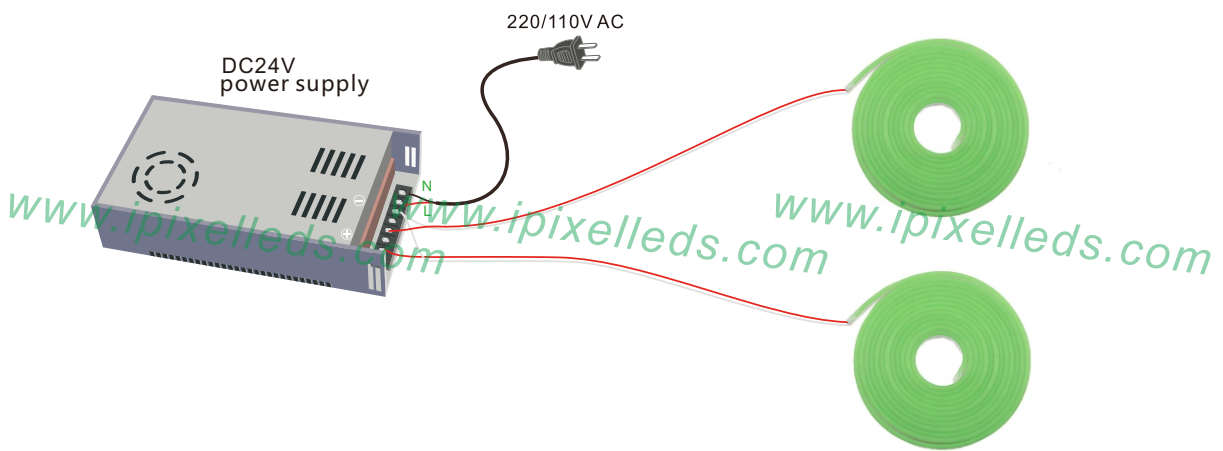
### ◆ Outline Dimension (unit: mm)



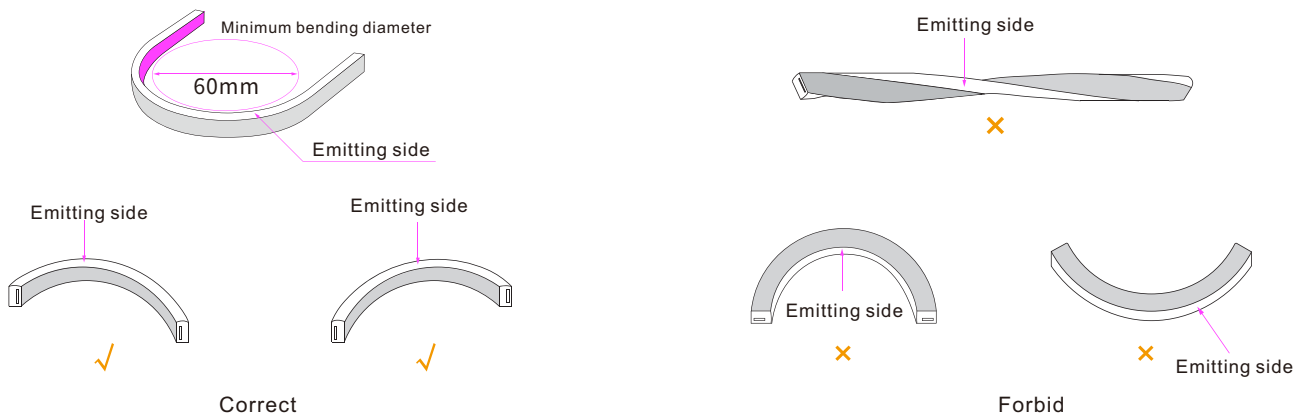
## ◆ Order number

|       |        |           |      |                 |
|-------|--------|-----------|------|-----------------|
| DC24V | R      | White PCB | IP65 | N004120BC1LZ/C1 |
| DC24V | G      | White PCB | IP65 | N004120BC1LZ/C2 |
| DC24V | B      | White PCB | IP65 | N004120BC1LZ/C3 |
| DC24V | 3000 K | White PCB | IP65 | N004120BC1LZ/C4 |
| DC24V | 4000 K | White PCB | IP65 | N004120BC1LZ/C5 |
| DC24V | 5000 K | White PCB | IP65 | N004120BC1LZ/C6 |
| DC24V | 6000 K | White PCB | IP65 | N004120BC1LZ/C7 |

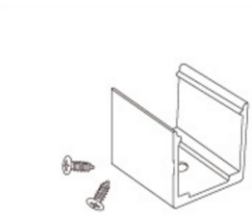
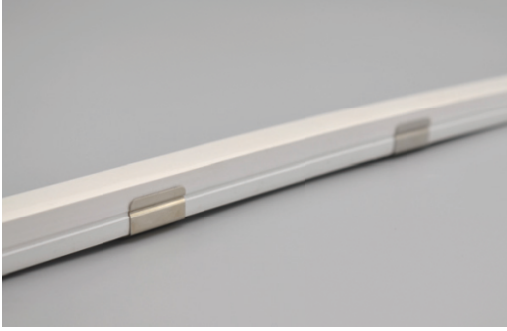
## ◆ Wiring diagram



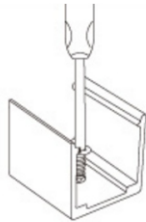
## ◆ Correct bending way



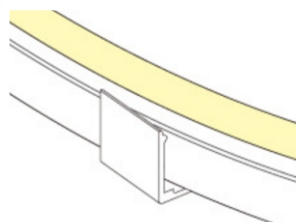
Note: The parameters are subject to change without notice!



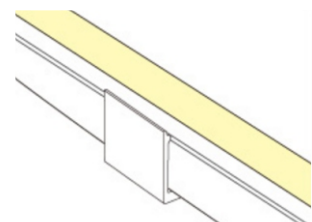
1



2



3



4

Note: The parameters are subject to change without notice!

## X-ON Electronics

Largest Supplier of Electrical and Electronic Components

*Click to view similar products for [LED Lighting Bars and Strips](#) category:*

*Click to view products by [IPIXEL LED](#) manufacturer:*

Other Similar products are found below :

[ZLF0310W62524](#) [LF1D-F2F-2W-300](#) [00215258](#) [HH-SWW320F010W12-COB IP20](#) [HH-SWW320F010W24-COB IP20](#) [HH-SWW528F210W12-COB IP65](#) [HH-SG528F010W24-COB IP20](#) [LF2D-EN2F-2W-A](#) [LFBHL-SW827-24V-8S63-20](#) [N006120BC1LZ \(GOLDEN YELLOW\)](#) [RF-GW2H39W19-2406020I1-A1 IP20](#) [S010060CB1LZ \(NEUTRAL WHITE IP65\)](#) [S010060CC1LZ \(WARM WHITE IP65\)](#) [2633830000](#) [HH-SX72F008W24-2835 CW WHITE PCB IP20](#) [HH-SX180F010W24 -2835 WW WHITE PCB IP20](#) [HH-SX72F008W24-2835 NW WHITE PCB IP20](#) [HH-SX144F008W24 -2835 NW WHITE PCB IP20](#) [HH-SX180F010W24 -2835 NW WHITE PCB IP20](#) [HH-SX144F008W24 -2835 CW WHITE PCB IP20](#) [HH-SX144F008W24 -2835 WW WHITE PCB IP20](#) [HH-SX180F010W24 -2835 CW WHITE PCB IP20](#) [N008120BB1LZ \(BLUE\)](#) [00219015](#) [10001611](#) [10001612](#) [10001613](#) [10001617](#) [10001618](#) [10001619](#) [10001622](#) [10001623](#) [10001655](#) [10001657](#) [10001664](#) [10001670](#) [10001675](#) [10001681](#) [10001683](#) [10001690](#) [PUUA-100LLL-NK2P](#) [QAUR1161L030](#) [HC-F12V-3535 PCBA](#) [HC-F12V-F50-3L-WS2811](#) [HC-F12V-WS2811-3535](#) [HC-F5V-144L-144LED-B-WS2813 IP20](#) [HC-F5V-144L-144LED-B-WS2813 IP65](#) [HC-F5V-144L-144LED-W-WS2813 IP20](#) [HC-F5V-30L-30LED-B-WS2813 IP20](#) [HC-F5V-30L-30LED-W-WS2813 IP20](#)