

4x10mm single color side emitting led neon strip DC24V



◆ Product Description:

This neon strip is side view with a translucent silicone rubber as a diffuser, light uniform and no spot. It is designed to be bent side to side with light projecting upwards.

This silicone rubber is anti-UV, anti-yellowing, anti-aging, environmental protection, non-toxic, and very soft.

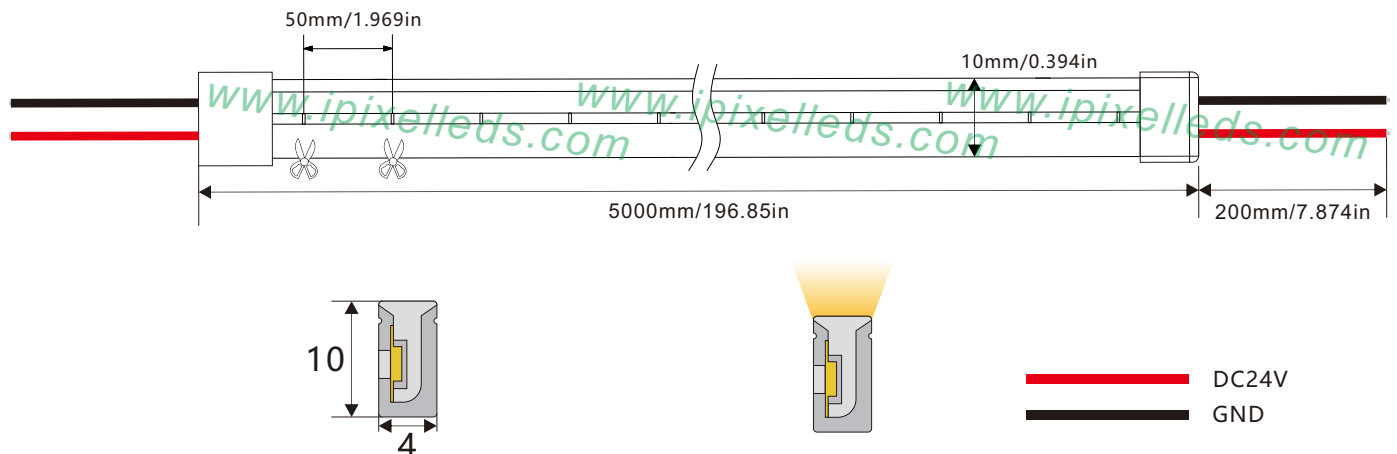
Use highlighted 2835 LED chips, it's long life, low light decay, and good color consistency. Standard length is 5M/roll, length can be customized, there are cutting marks on the side.

IP65 waterproof for outdoor use

◆ Product Datasheet

Product Number	N004120BC1LZ	Luminance/M	W: 210lm
Operating Voltage	DC24V	Ra	≥ 80
Power/M	5W	Beam Angle	120°
SMD Type	SMD 2835	Size (mm)	5000x4x10mm
LED Qty/M	120	IP Rate	IP65
Color	R/G/B/W:3000K/4000K/6000K	Operation Temperature	- 25 ~ 60 °C
Pixel/M	/	Material	Silicone
Control	/	Cutting Length	50mm
Wavelength	R:620-625 G:520-525 B:460-465nm	Net Weight/Roll	0.3Kg

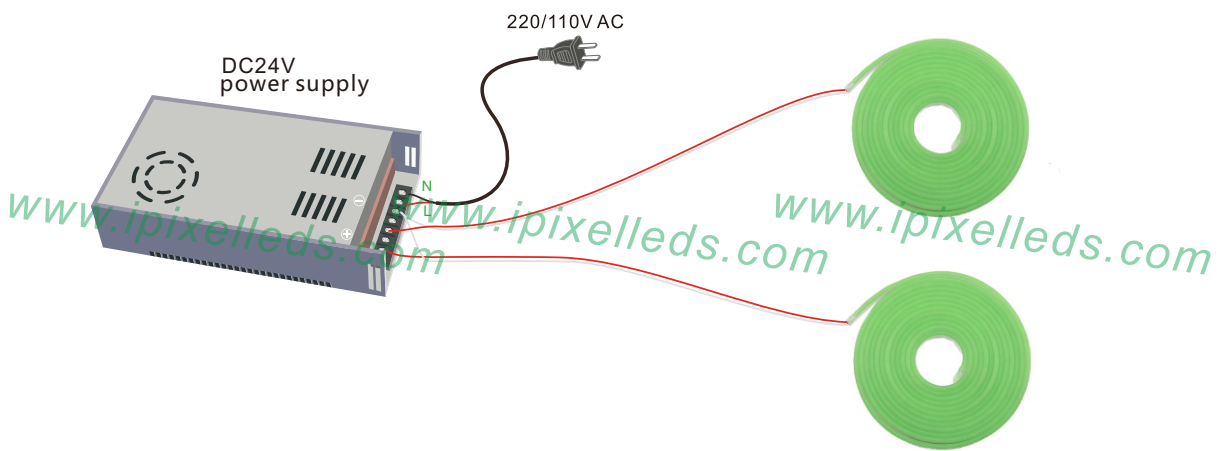
◆ Outline Dimension (unit: mm)



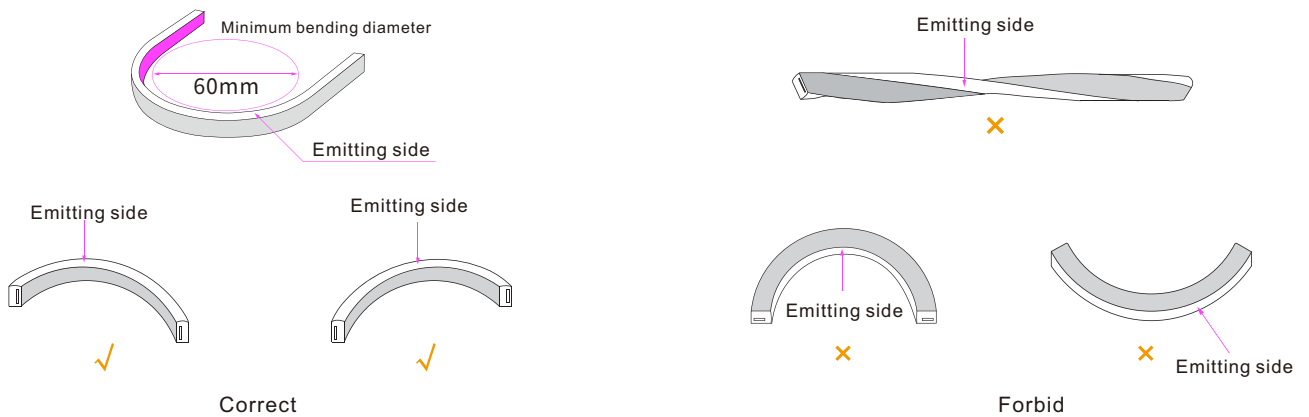
◆ Order number

DC24V	R	White PCB	IP65	N004120BC1LZ/C1
DC24V	G	White PCB	IP65	N004120BC1LZ/C2
DC24V	B	White PCB	IP65	N004120BC1LZ/C3
DC24V	3000 K	White PCB	IP65	N004120BC1LZ/C4
DC24V	4000 K	White PCB	IP65	N004120BC1LZ/C5
DC24V	5000 K	White PCB	IP65	N004120BC1LZ/C6
DC24V	6000 K	White PCB	IP65	N004120BC1LZ/C7

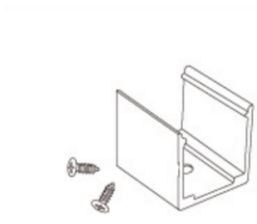
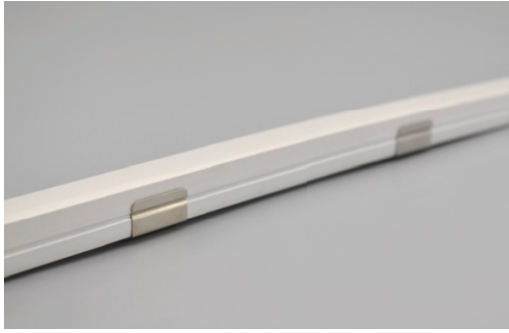
◆ Wiring diagram



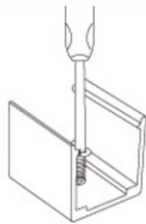
◆ Correct bending way



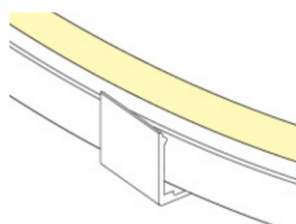
Note: The parameters are subject to change without notice!



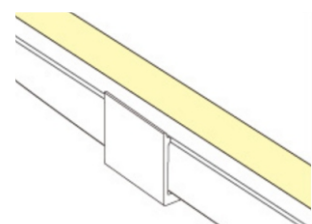
1



2



3



4

Note: The parameters are subject to change without notice!

X-ON Electronics

Largest Supplier of Electrical and Electronic Components

Click to view similar products for [LED Lighting Bars and Strips](#) category:

Click to view products by [IPIXEL LED](#) manufacturer:

Other Similar products are found below :

[ZLF0310W62524](#) [LF1D-F2F-2W-300](#) [00215258](#) [HH-SWW320F010W12-COB IP20](#) [HH-SWW320F010W24-COB IP20](#) [HH-SWW528F210W12-COB IP65](#) [HH-SG528F010W24-COB IP20](#) [LF2D-EN2F-2W-A](#) [LFBHL-SW827-24V-8S63-20](#) [N006120BC1LZ](#) (GOLDEN YELLOW) [S010060CB1LZ](#) (NEUTRAL WHITE IP65) [S010060CC1LZ](#) (WARM WHITE IP65) [2633830000](#) [HH-SX72F008W24-2835 CW WHITE PCB IP20](#) [HH-SX180F010W24 -2835 WW WHITE PCB IP20](#) [HH-SX72F008W24-2835 NW WHITE PCB IP20](#) [HH-SX144F008W24 -2835 NW WHITE PCB IP20](#) [HH-SX180F010W24 -2835 NW WHITE PCB IP20](#) [HH-SX144F008W24 -2835 CW WHITE PCB IP20](#) [HH-SX144F008W24 -2835 WW WHITE PCB IP20](#) [HH-SX180F010W24 -2835 CW WHITE PCB IP20](#) [N008120BB1LZ](#) (BLUE) [00219015](#) [10001611](#) [10001612](#) [10001613](#) [10001617](#) [10001618](#) [10001619](#) [10001622](#) [10001623](#) [10001655](#) [10001657](#) [10001664](#) [10001670](#) [10001675](#) [10001681](#) [10001683](#) [10001690](#) [PUUA-100LLL-NK2P](#) [QAUR1161L030](#) [HC-F12V-3535 PCBA](#) [HC-F12V-F50-3L-WS2811](#) [HC-F12V-WS2811-3535](#) [HC-F5V-144L-144LED-B-WS2813 IP20](#) [HC-F5V-144L-144LED-B-WS2813 IP65](#) [HC-F5V-144L-144LED-W-WS2813 IP20](#) [HC-F5V-30L-30LED-B-WS2813 IP20](#) [HC-F5V-30L-30LED-W-WS2813 IP20](#) [HC-F5V-60L-60LED-B-WS2813 IP20](#)