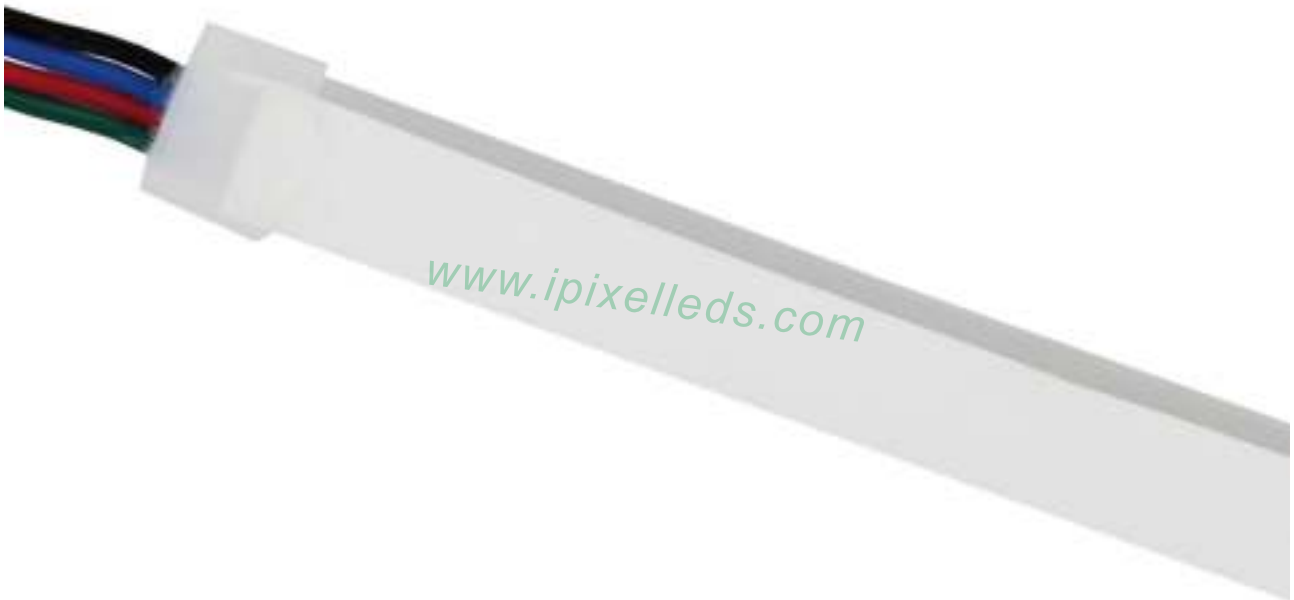




## Standard RGB LED Neon Flex



### Product Description

This is a PWM control RGB color LED Neon flexible strip without Pixel The whole body is made by silicon material Fire resistance, Anti - UV, Anti - Corrosion and deformation resistance Very soft and easy to be bend to make any small sign or LOGO RGB led flex strip inside, side emitting and can only be bend side to side



The cutting unit length is 31. 3mm(12V), or 62. 6mm(24V) per section

Cutting mark on the side of neon body

Waterproof IP65 Rated for outdoor installation



## Product Datasheet

Product Number	N006120TB3PZ	N006120TC3PZ
LED Type	SMD LED RGB	
LED Quantity	120 leds/m	
Material	Silicon	
Bending Direction	Vertically	
CCT	RGB	
Cutting unit	31.3 MM	62.6 MM
Operating Voltage	DC12V	DC24V
Power (W)	14 W/M	14 W/M
Dimension	5000*6*12 MM	
IP	IP65	
Net Weight	0.4kg/roll (5m)	
Operation Temperature	- 40 ~ 50 °C	

## Application



Hotels, restaurants, nights clubs.

Advertising signs, brightening.

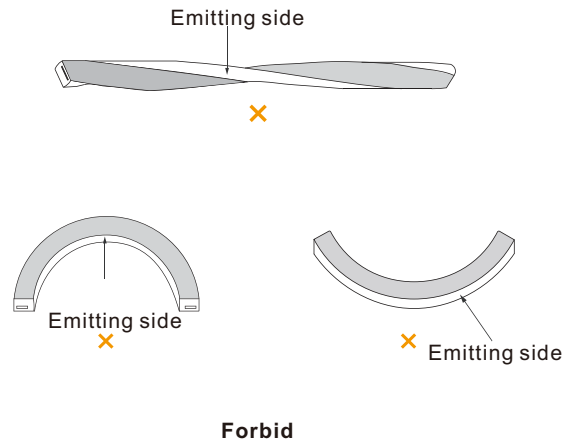
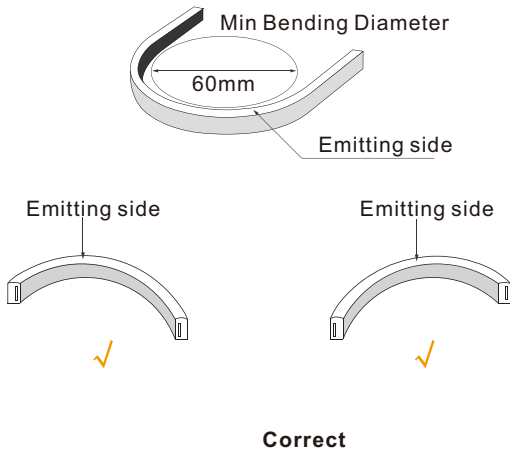


Back lighting, edge lighting.

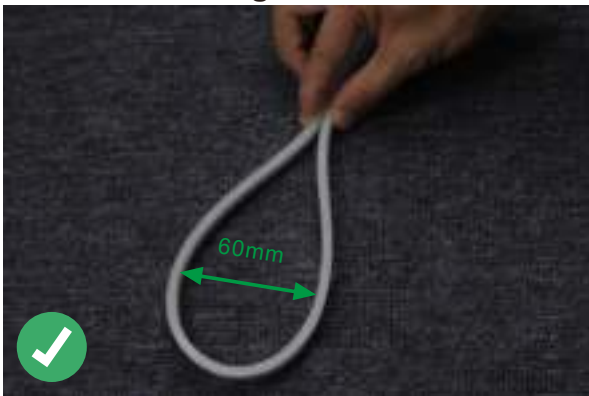
Dancefloor background.



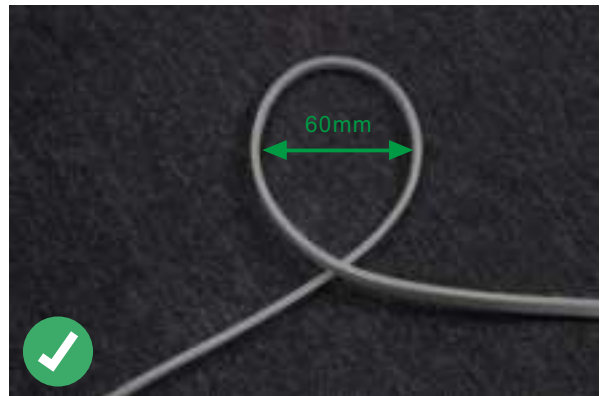
## Correct bending way



## Correct bending



Face to the lighting surface and fold the strip.  
The minimum bending diameter is 80mm



Lighting surface upwards and the strip can be bent to right or left naturally, The theminimum bending diameter is 100mm

## Incorrect bending way



Face to the side surface(as the picture shows),  
Do not bend it downward to damage the strip.



(as the picture shows) please do not twist the strip,  
or it will be damaged



## Installation



clips  
50x8x13mm(LxWxH)



profile  
1000x8x13mm(LxWxH)



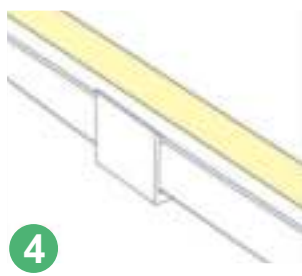
1



2



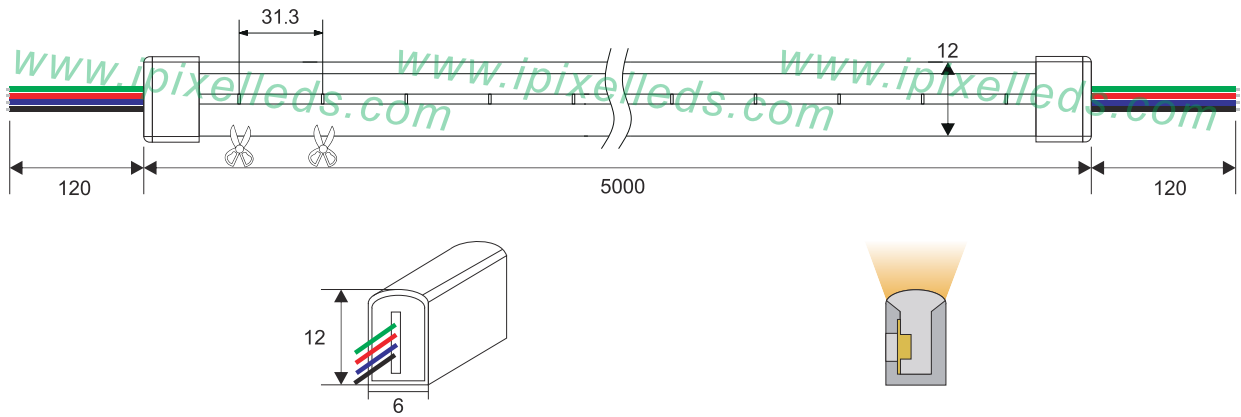
3



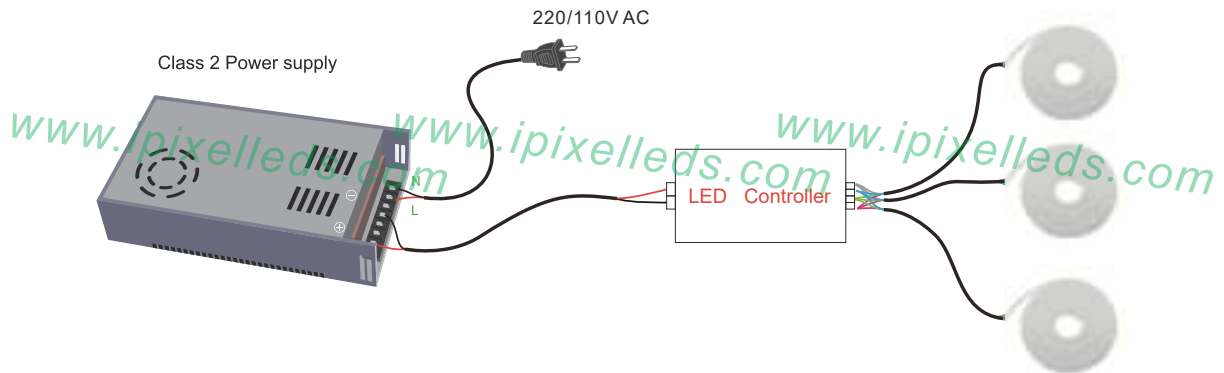
4



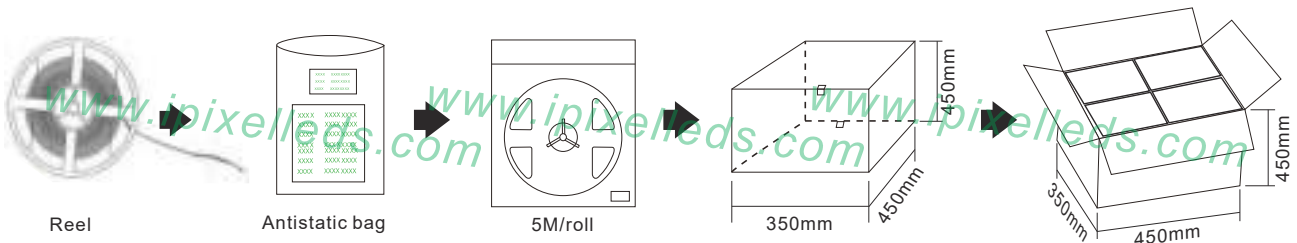
## Outline Dimension (unit:mm)



## Connection



## Product packaging



Product number	Standard length	Quantity / volume	outer carton size	Weight(kg)/reel
N006120TB3LZ	5M	240 Reels	L450xW350xH450mm	0.4kg
/				/
/				/
/				/
/				/
/				/

## X-ON Electronics

Largest Supplier of Electrical and Electronic Components

*Click to view similar products for [LED Lighting Bars and Strips](#) category:*

*Click to view products by [IPIXEL LED](#) manufacturer:*

Other Similar products are found below :

[ZLF0310W62524](#) [LF1D-F2F-2W-300](#) [00215258](#) [HH-SWW320F010W12-COB IP20](#) [HH-SWW320F010W24-COB IP20](#) [HH-SWW528F210W12-COB IP65](#) [HH-SG528F010W24-COB IP20](#) [LF2D-EN2F-2W-A](#) [10001622](#) [LFBHL-SW827-24V-8S63-20](#) [LFBHL-SW860-24V-8S63-20](#) [LFBHL-SW940-24V-8S63-20](#) [HH-SRGB60F010W24-5050M](#) [N006120BB1LZ \(BLUE\)](#) [N006120BB1LZ \(GREEN\)](#) [N006120BB1LZ \(RED\)](#) [N006120BC1LZ \(BLUE\)](#) [N006120BC1LZ \(GREEN\)](#) [N006120BC1LZ \(GOLDEN YELLOW\)](#) [N006120BC1LZ \(RED\)](#) [S010030CB3SB7](#) [S010030CB3SB7 \(BLACK PCB\)](#) [S010060CB1LZ \(NEUTRAL WHITE IP65\)](#) [S010060CB1LZ \(WARM WHITE IP65\)](#) [S010060CB3SB7](#) [S010060CC1LZ \(WARM WHITE IP65\)](#) [S012060CB4ST \(BLACK PCB\)](#) [2633830000](#) [HH-SX72F008W24-2835 CW WHITE PCB IP20](#) [HH-SX180F010W24 -2835 WW WHITE PCB IP20](#) [HH-SX72F008W24-2835 NW WHITE PCB IP20](#) [HH-SX144F008W24 -2835 NW WHITE PCB IP20](#) [HH-SX180F010W24 -2835 NW WHITE PCB IP20](#) [HH-SX144F008W24 -2835 CW WHITE PCB IP20](#) [HH-SX144F008W24 -2835 WW WHITE PCB IP20](#) [HH-SX180F010W24 -2835 CW WHITE PCB IP20](#) [N008120BB1LZ \(BLUE\)](#) [S010060CA3SA1](#) [SCS-120-CW](#) [00219015](#) [10001611](#) [10001612](#) [10001613](#) [10001617](#) [10001618](#) [10001619](#) [10001623](#) [10001655](#) [10001657](#) [10001664](#)