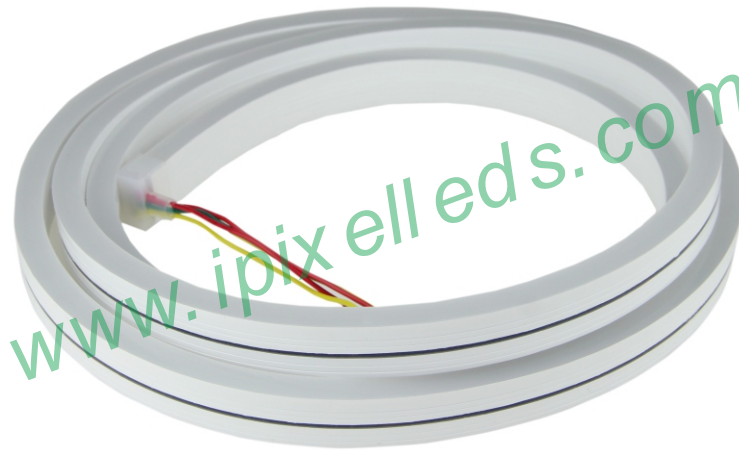




## RGBW digital LED Neon Flex



### Product Description

Digital RGBW LED Neon flex made by silicone extrusion, white color body, diffused color on the top side without light spot,

it's bendable within limited semidiameter, Anti-UV and salt

it's a 4 in 1 RGBW digital LED tape inside ,each small section can be cut down refer to the black mark on the side of body

the standard size is 5meters

JST connector output from each side of the body

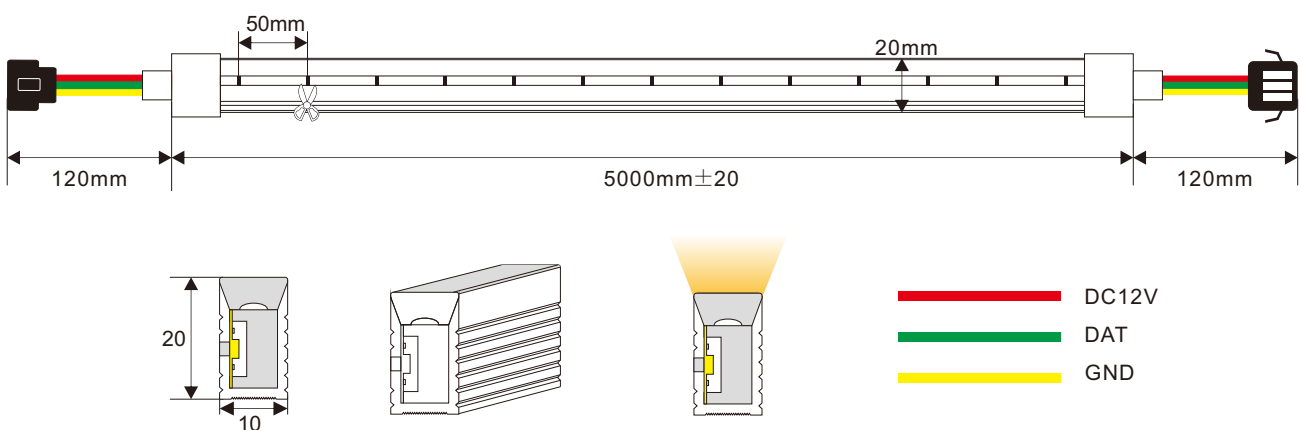




## Product Datasheet

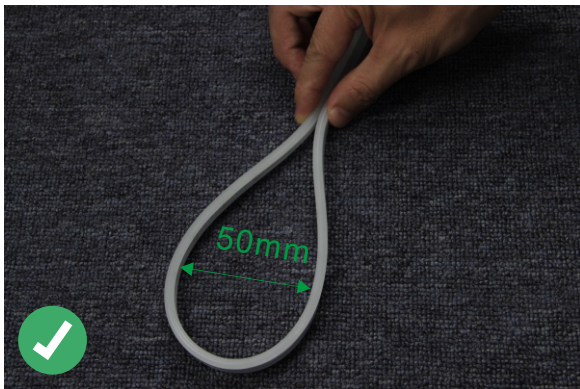
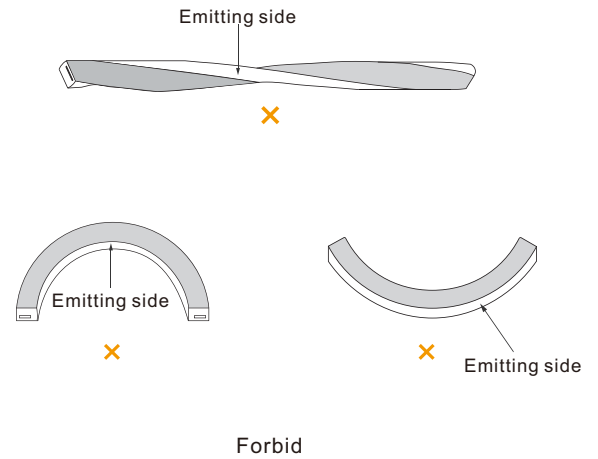
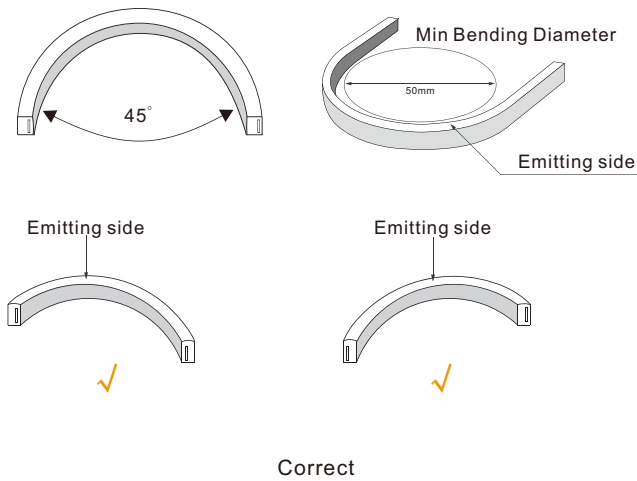
P/N	N010060CB4ST
Operating Voltage	DC12V
Wattage / Meter	15W/M
Luminance (LM/M)	R: 70 G: 121 B: 27 W:215
Color Temperature	WW: 2500-3000K / W: 5000-5500K
Cutting Mark	50MM
Dimension	L: 5000MM* W: 10MM* H:20 MM
Material	Silicon
Control (IC)	SPI
LED Quantity	60 leds/m
IP Level	IP65
Operation Temperature	-25°C ~ 60°C
Bending Direction	Vertically
Net Weight	1.2kg/roll (5mm)

## Outline Dimension (MM)

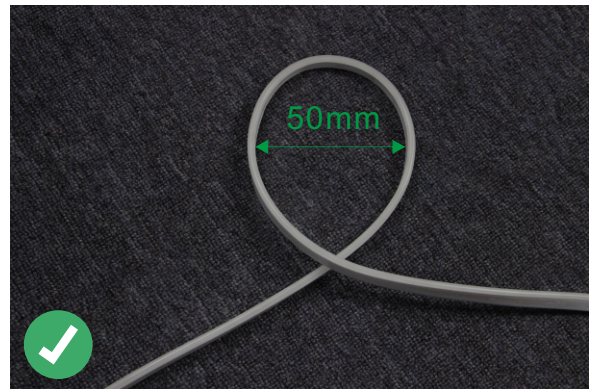




## Correct bending way



Face to the lighting surface and fold the strip. The minimum bending diameter is 50mm



Lighting surface upwards and the strip can be bended to right or left naturally, The minimum bending diameter is 50mm

## Incorrect bending way



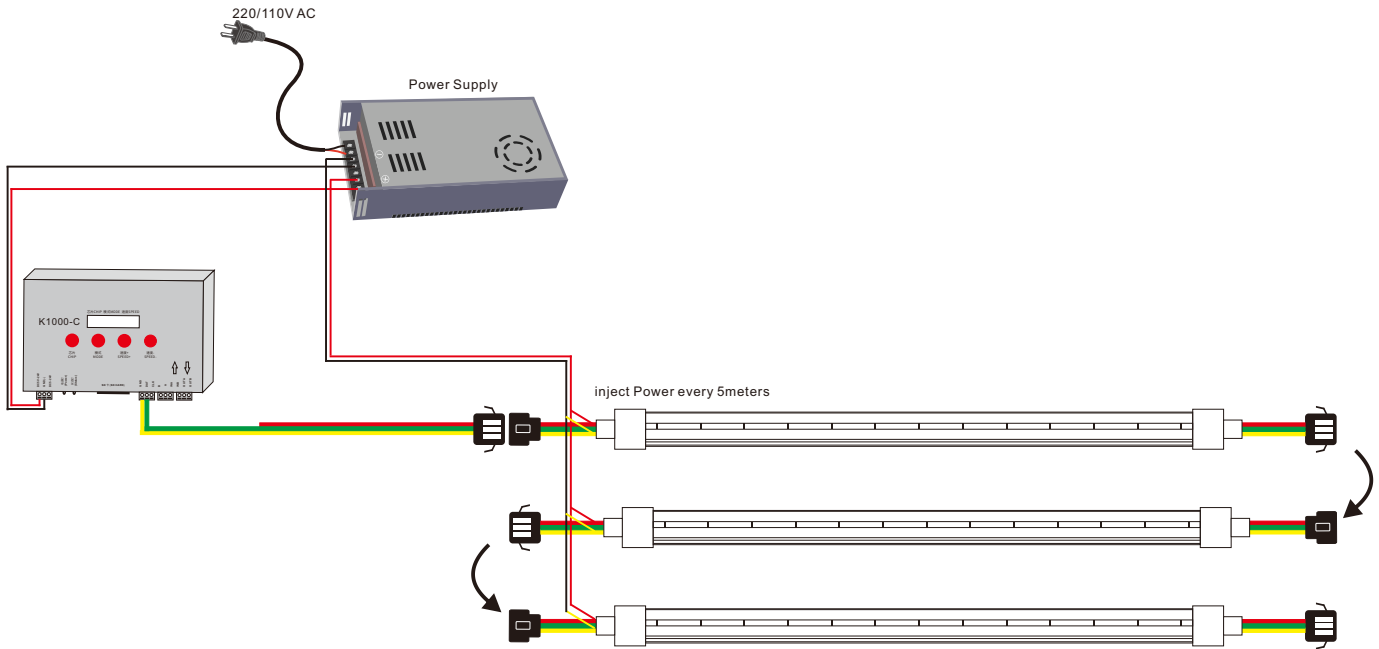
Face to the side surface (as the picture shows), Do not bend it downward to damage the strip.



(as the picture shows) please do not twist the strip, or it will be damaged



## Connection



## X-ON Electronics

Largest Supplier of Electrical and Electronic Components

*Click to view similar products for [LED Lighting Bars and Strips](#) category:*

*Click to view products by [IPIXEL LED](#) manufacturer:*

Other Similar products are found below :

[ZLF0310W62524](#) [LF1D-F2F-2W-300](#) [00215258](#) [HH-SWW320F010W12-COB IP20](#) [HH-SWW320F010W24-COB IP20](#) [HH-SWW528F210W12-COB IP65](#) [HH-SG528F010W24-COB IP20](#) [LF2D-EN2F-2W-A](#) [10001622](#) [LFBHL-SW827-24V-8S63-20](#) [LFBHL-SW860-24V-8S63-20](#) [LFBHL-SW940-24V-8S63-20](#) [HH-SRGB60F010W24-5050M](#) [N006120BB1LZ \(BLUE\)](#) [N006120BB1LZ \(GREEN\)](#) [N006120BB1LZ \(RED\)](#) [N006120BC1LZ \(BLUE\)](#) [N006120BC1LZ \(GREEN\)](#) [N006120BC1LZ \(GOLDEN YELLOW\)](#) [N006120BC1LZ \(RED\)](#) [S010030CB3SB7](#) [S010030CB3SB7 \(BLACK PCB\)](#) [S010060CB1LZ \(NEUTRAL WHITE IP65\)](#) [S010060CB1LZ \(WARM WHITE IP65\)](#) [S010060CB3SB7](#) [S010060CC1LZ \(WARM WHITE IP65\)](#) [S012060CB4ST \(BLACK PCB\)](#) [2633830000](#) [HH-SX72F008W24-2835 CW WHITE PCB IP20](#) [HH-SX180F010W24 -2835 WW WHITE PCB IP20](#) [HH-SX72F008W24-2835 NW WHITE PCB IP20](#) [HH-SX144F008W24 -2835 NW WHITE PCB IP20](#) [HH-SX180F010W24 -2835 NW WHITE PCB IP20](#) [HH-SX144F008W24 -2835 CW WHITE PCB IP20](#) [HH-SX144F008W24 -2835 WW WHITE PCB IP20](#) [HH-SX180F010W24 -2835 CW WHITE PCB IP20](#) [N008120BB1LZ \(BLUE\)](#) [S010060CA3SA1](#) [SCS-120-CW](#) [00219015](#) [10001611](#) [10001612](#) [10001613](#) [10001617](#) [10001618](#) [10001619](#) [10001623](#) [10001655](#) [10001657](#) [10001664](#)