



Silicon LED Neon strip 13*13mm



2 Years Warranty

.....

Product Description

Top view static single color LED Neon flex strip

Uniform Light distribution, no light spots

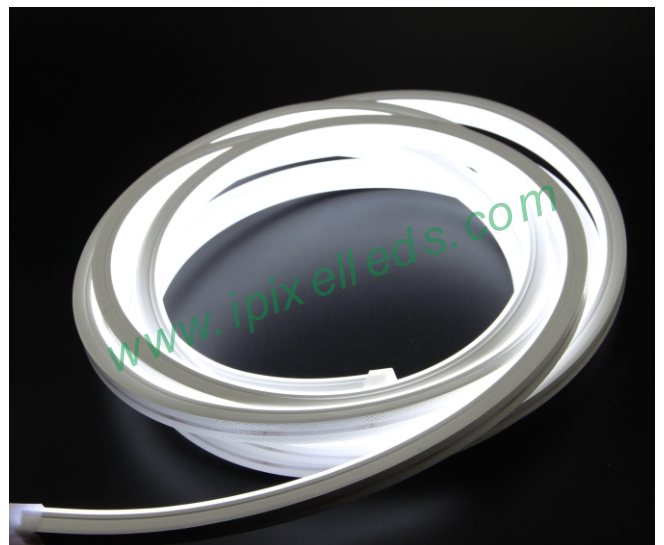
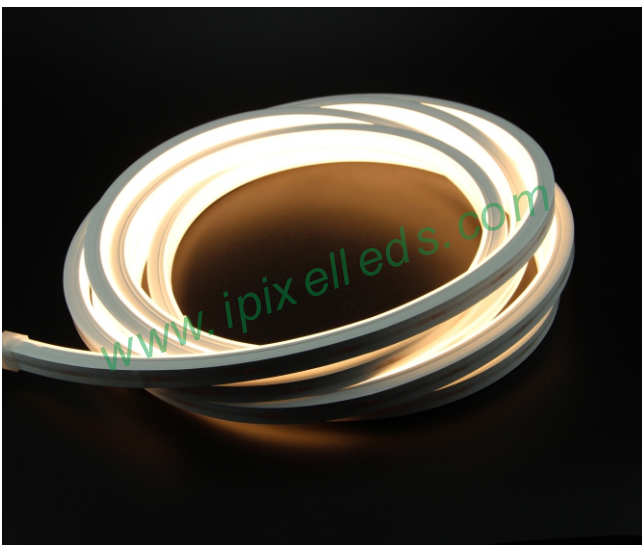
Dual-color silicone extrusion process, cutting marks are clearly visible

Minimum cutting unit: every 50mm, waterproof IP65

Constant voltage, high efficiency SMD LED chip

Fire resistance, Anti - UV, Anti - Corrosion and deformation resistance

Minimum bending diameter is 100mm

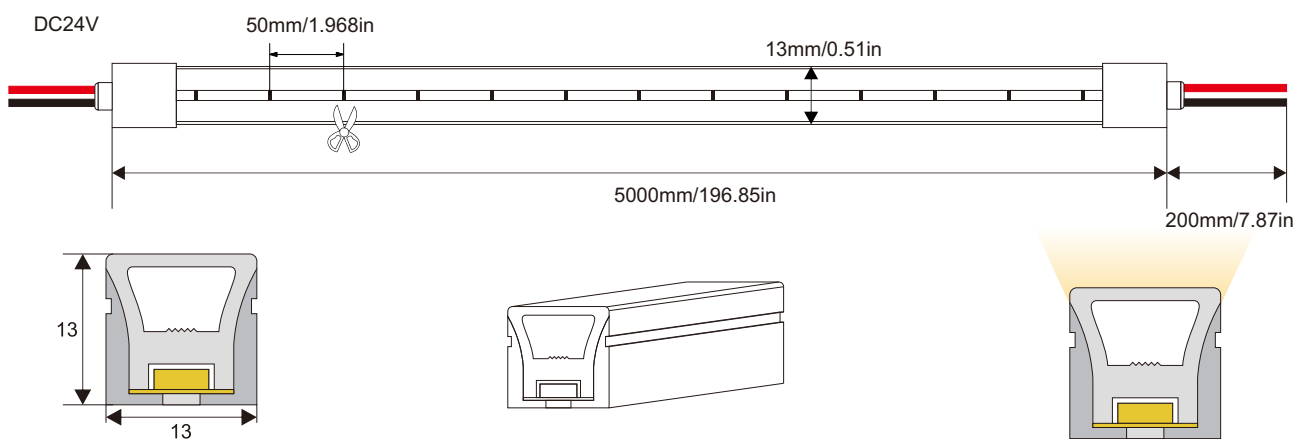




Product Datasheet

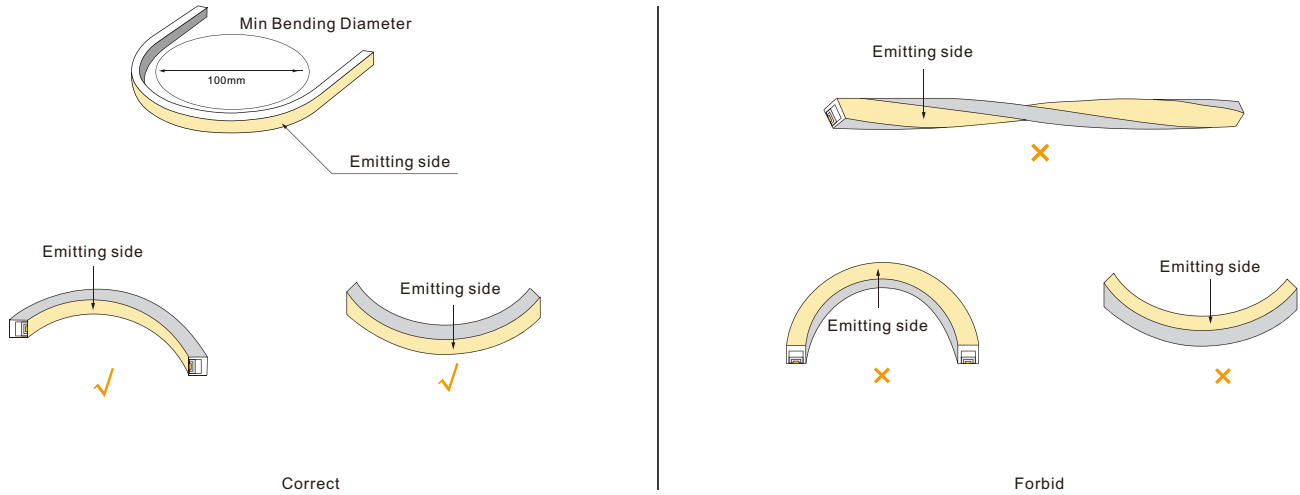
P/N	N013120BC1LZ	
Color Temperature	R/G/B/3000K/4000K/6000K	
Dimension	L: 5000 * W: 13 * H:13 MM	
Material	Silicon	
LED Type	SMD 2835 - 120LEDs/m	
Lumens/m	720 lm/m	760 lm/m
CRI	85RA	
Operating Voltage	DC24V	
Wattage / Meter	10W/M	
IP Level	IP65	
Operation Temperature	-25°C ~ 60°C	
Net Weight	0.75kg/roll (5m)	
Cutting unit	50MM	

Outline Dimension (MM)

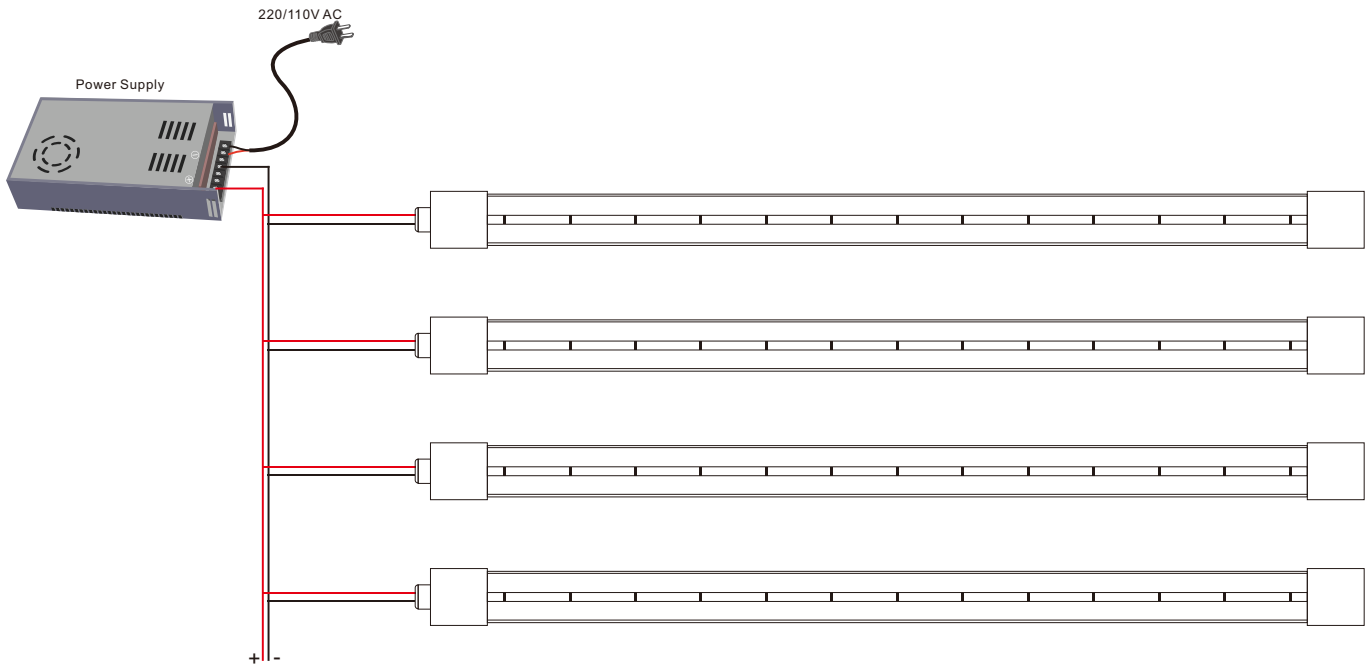




Correct bending way



Connection



X-ON Electronics

Largest Supplier of Electrical and Electronic Components

Click to view similar products for [LED Lighting Bars and Strips](#) category:

Click to view products by [IPIXEL LED](#) manufacturer:

Other Similar products are found below :

[ZLF0310W62524](#) [LF1D-F2F-2W-300](#) [00215258](#) [HH-SWW320F010W12-COB IP20](#) [HH-SWW320F010W24-COB IP20](#) [HH-SWW528F210W12-COB IP65](#) [HH-SG528F010W24-COB IP20](#) [LF2D-EN2F-2W-A](#) [LFBHL-SW827-24V-8S63-20](#) [N006120BC1LZ \(GOLDEN YELLOW\)](#) [S010060CB1LZ \(NEUTRAL WHITE IP65\)](#) [S010060CC1LZ \(WARM WHITE IP65\)](#) [2633830000](#) [HH-SX72F008W24-2835 CW WHITE PCB IP20](#) [HH-SX180F010W24 -2835 WW WHITE PCB IP20](#) [HH-SX72F008W24-2835 NW WHITE PCB IP20](#) [HH-SX144F008W24 -2835 NW WHITE PCB IP20](#) [HH-SX180F010W24 -2835 NW WHITE PCB IP20](#) [HH-SX144F008W24 -2835 CW WHITE PCB IP20](#) [HH-SX144F008W24 -2835 WW WHITE PCB IP20](#) [HH-SX180F010W24 -2835 CW WHITE PCB IP20](#) [N008120BB1LZ \(BLUE\)](#) [00219015](#) [10001611](#) [10001612](#) [10001613](#) [10001617](#) [10001618](#) [10001619](#) [10001622](#) [10001623](#) [10001655](#) [10001657](#) [10001664](#) [10001670](#) [10001675](#) [10001681](#) [10001683](#) [10001690](#) [PUUA-100LLL-NK2P](#) [QAUR1161L030](#) [HC-F12V-3535 PCBA](#) [HC-F12V-F50-3L-WS2811](#) [HC-F12V-WS2811-3535](#) [HC-F5V-144L-144LED-B-WS2813 IP20](#) [HC-F5V-144L-144LED-B-WS2813 IP65](#) [HC-F5V-144L-144LED-W-WS2813 IP20](#) [HC-F5V-30L-30LED-B-WS2813 IP20](#) [HC-F5V-30L-30LED-W-WS2813 IP20](#) [HC-F5V-60L-60LED-B-WS2813 IP20](#)