



## 12mm Addressable Square LED Pixel



### Product Description

- This square (flat) pixel made by F8 DIP RGB LED and the drive by WS2811 chip.
- Cable length between each pixel 8mm.
- Standard quantity its 50 pcs per chain.
- It's Cut-able of each LED.



- The Arrow on button of LED directing the signal's input.
- IP67 epoxy waterproof.
- Control by: SD controller, DMX decoder.



## Product Datasheet

Product	Number	P012001NA3SF
Light	Source	Epistar F8mm Dip LED
Beam	Angle	120°
LED	Quantity	50pcs/chain
Gray	Level	256
Emitting	Color	RGB
Operating	Voltage	DC5V
Current	(A/1 chain)	3A
Power	(W)	0.3W/pcs
Control	(IC)	UCS1903/WS2811
Lumen	(lm/1 chain)	R35 G160 B27
Pixel	Resolution	1024 (Dot/m <sup>2</sup> )
Bit		8bit
Waterproof	Rating	IP67 (Epoxy)
Operation	Temperature	-10°C—40°C

## Application



Amusement attractions,rides

Speed buzz, fairground,Casino lighting.

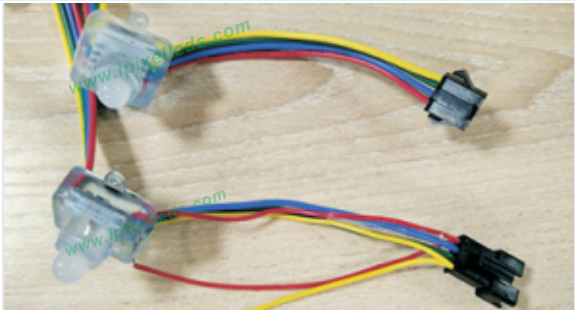
Luminous signs,Luna Park signs

High swing, inversion freak out rides etc...



## More Details

WS2811  
IC

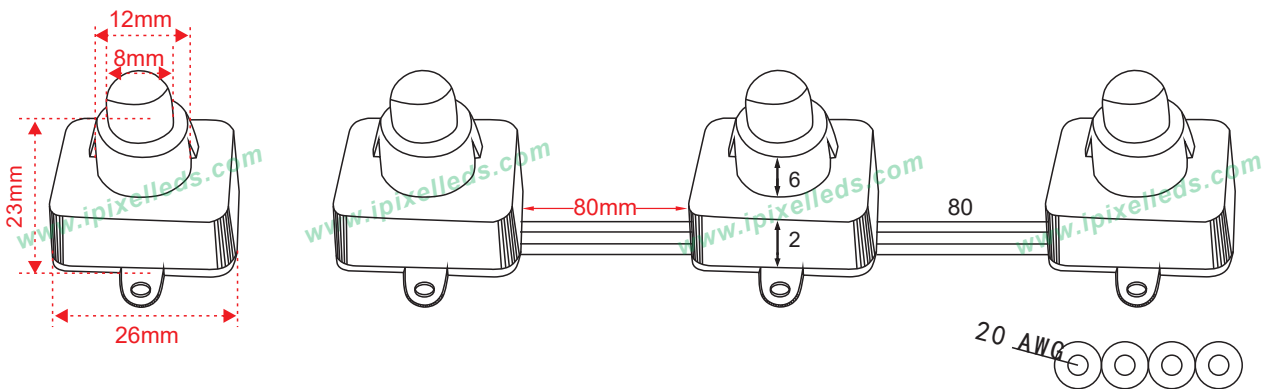


**4-Pin JST connector**

**Cable color definition**

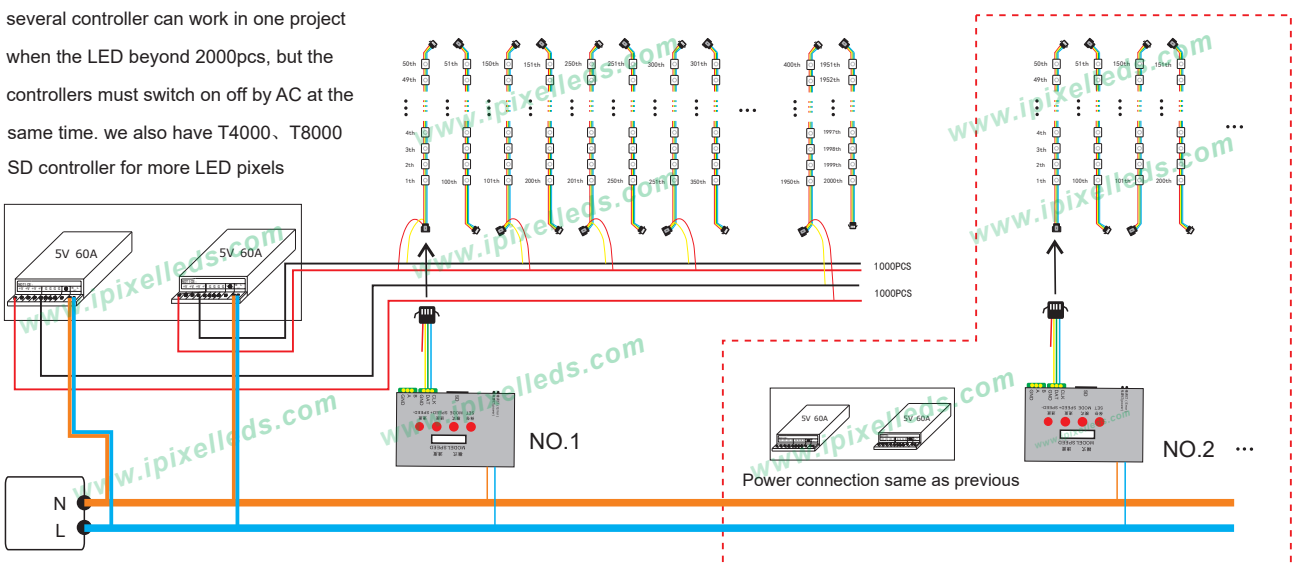
- GND
- DAT
- CLK
- DC +5V

## Outline Dimension



## Connection Drawing

several controller can work in one project when the LED beyond 2000pcs, but the controllers must switch on/off by AC at the same time. we also have T4000、T8000 SD controller for more LED pixels



AC 110 / 220V

## X-ON Electronics

Largest Supplier of Electrical and Electronic Components

*Click to view similar products for IPIXEL LED manufacturer:*

Other Similar products are found below :

[S012060CC4PZ \(RGB+3000K IP20\)](#) [S004060DA3SA5](#) [N006096BA3SF](#) [N006120BB1LZ \(ICE BLUE\)](#) [S010060CA3SA1](#) [S005060DA4SA1](#)  
[S007144DA3SA1](#) [N006120BC1LZ \(VIOLET\)](#) [N010060CC4LZ](#) [N013120BC1LZ \(WARM WHITE\)](#) [S020090CB3SF](#) [S012060CA3SA2](#)  
[S008320ZC1LZ \(COLD WHITE IP20\)](#) [N006120BC1LZ \(RED\)](#) [S010120BB1LZ \(WARM WHITE IP20\)](#) [S012060CC4ST](#) [S010120BC1LZ](#)  
[\(COLD WHITE IP20\)](#) [N006120BC1LZ \(GOLDEN YELLOW\)](#) [N012120BB1LZ \(WARM WHITE\)](#) [S012144CB3SB7](#) [P038009CC3SB IP67](#)  
[S012144CA3SA2](#) [N006120BC1LZ \(GREEN\)](#) [N010060CA4SA1](#) [S008060CA3SA1](#) [S010030CA3SA2](#) [N008120BB1LZ \(BLUE\)](#)  
[S008120TB3PZ](#) [S008060BB1LZ \(COLD WHITE IP20\)](#) [P026003CB3SC IP65](#) [S010120BC1LZ \(WARM WHITE IP65\)](#) [S012060CB4ST](#)  
[\(BLACK PCB\)](#) [S010030CB3SB7](#) [S010030CC1LZ \(WARM WHITE IP20\)](#) [N006120BB1LZ \(GREEN\)](#) [N010001](#) [S005030DA4SA1](#)  
[S010060CA4SA1](#) [P038006CC3SE IP67](#) [P012001NA3SF](#) [P012001NB3SF](#) [P023002DB3SC](#) [S010060CB1LZ \(NEUTRAL WHITE IP20\)](#)  
[S010060CB1LZ \(COLD WHITE IP20\)](#) [S010120BB1LZ \(NEUTRAL WHITE IP65\)](#) [S010030CB1LZ \(NEUTRAL WHITE IP20\)](#)  
[S010060CC1LZ \(WARM WHITE IP20\)](#) [N006120BB1LZ \(COLD WHITE\)](#) [N006120BB1LZ \(VIOLET\)](#) [N006120BC1LZ \(BLUE\)](#)