



26mm Pixel LED Light



Product Description



- Control IC included, supporting numerous color-change effects.
- Controlled by SD controller, Arduino, DMX512, Artnet.
- Flexible PCB white color, 12V low voltage input.
- Every 1 Leds linear separable, custom-length available.
- Eco-green light, no UV, IR.
- Extremely long lifespan & lower power consumption.





Product Datasheet

Product	Number	P26V12		
Light	Source	Epistar 5050 SMD LEDs		
Beam	Angle	140°		
LED	Quantity	3 leds/pcs		
Cover	Color	Transparent / Frost		
Diameter	(mm)	Ø26 (Light Body Size: H34*W30mm)		
Drill Hole	Diameter	27mm~29mm		
Emitting	Color	IC RGB		
Operating	Voltage	DC12V		
Power	(W)	0.72W/pcs		
Control	(IC)	UCS1903		
Luminous	(MCD)	R: 2100	G: 5100	B: 1800
Waterproof	Rating	IP65/IP67		
Operation	Temperature	-10°C—40°C		

Application

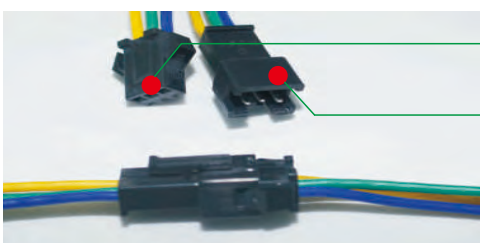


Amusement attractions, rides.

Dance Floor, Christmas Tree lighting etc.

carousels, luminous signs, Luna Park signs.

Casino lighting, Outdoor sign board.



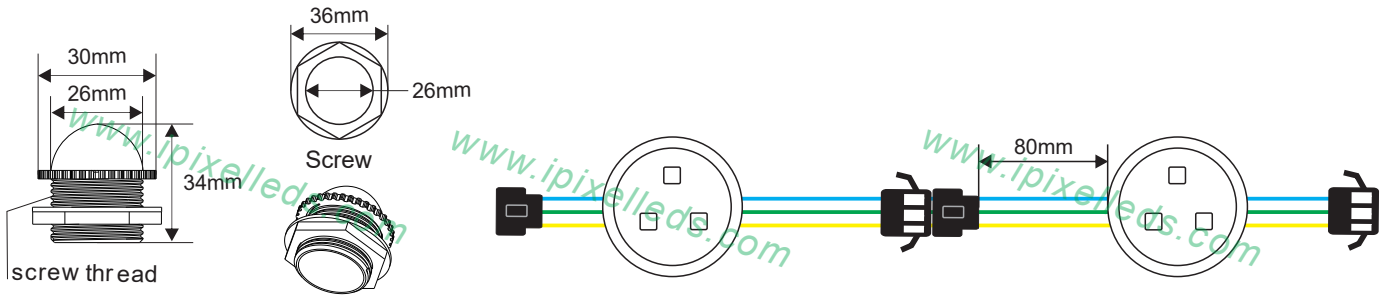
3Pin JSM connector signal input

3Pin JSM connector signal output

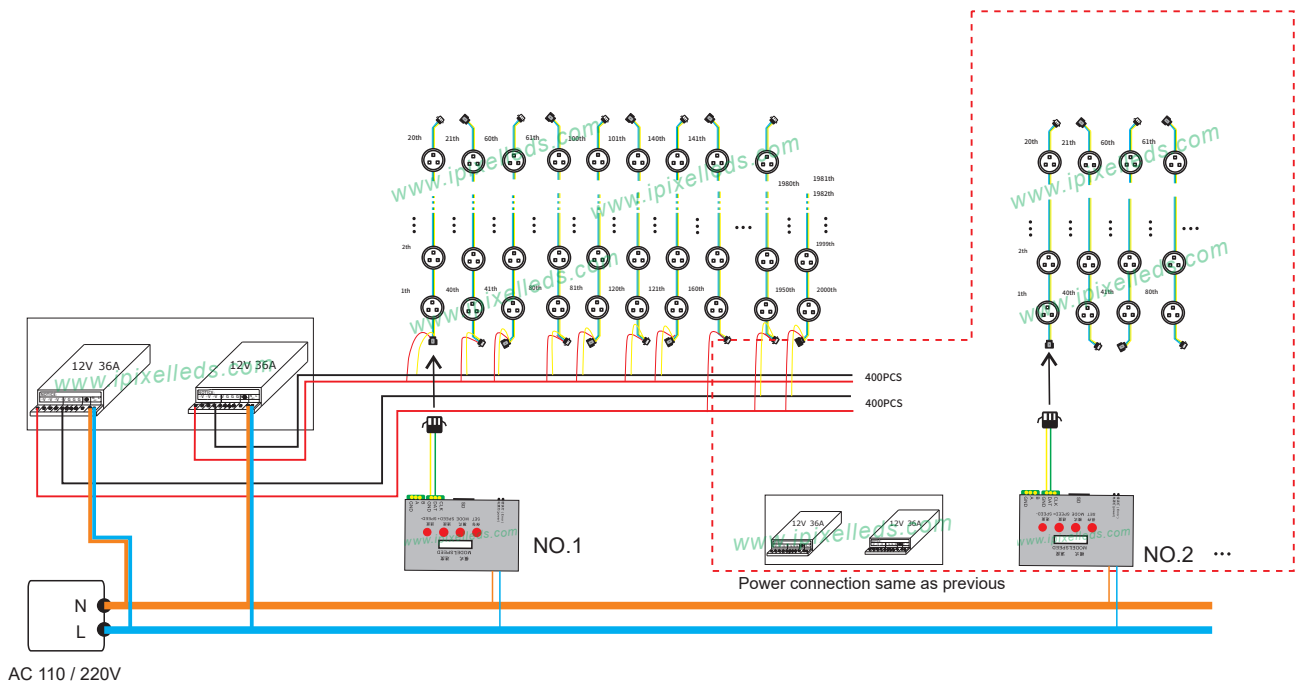
— DC12V+
— DAT
— GND



Outline Dimension



Connection Drawing



on off by AC at the same time. we also have T4000、T8000 SD controller for more LED pixels. several controller can work in one project when the LED beyond 2000pcs, but the controllers must switch

X-ON Electronics

Largest Supplier of Electrical and Electronic Components

Click to view similar products for IPIXEL LED manufacturer:

Other Similar products are found below :

[S012060CC4PZ \(RGB+3000K IP20\)](#) [S004060DA3SA5](#) [N006096BA3SF](#) [N006120BB1LZ \(ICE BLUE\)](#) [S010060CA3SA1](#) [S005060DA4SA1](#)
[S007144DA3SA1](#) [N006120BC1LZ \(VIOLET\)](#) [N010060CC4LZ](#) [N013120BC1LZ \(WARM WHITE\)](#) [S020090CB3SF](#) [S012060CA3SA2](#)
[S008320ZC1LZ \(COLD WHITE IP20\)](#) [N006120BC1LZ \(RED\)](#) [S010120BB1LZ \(WARM WHITE IP20\)](#) [S012060CC4ST](#) [S010120BC1LZ](#)
[\(COLD WHITE IP20\)](#) [N006120BC1LZ \(GOLDEN YELLOW\)](#) [N012120BB1LZ \(WARM WHITE\)](#) [S012144CB3SB7](#) [P038009CC3SB IP67](#)
[S012144CA3SA2](#) [N006120BC1LZ \(GREEN\)](#) [N010060CA4SA1](#) [S008060CA3SA1](#) [S010030CA3SA2](#) [N008120BB1LZ \(BLUE\)](#)
[S008120TB3PZ](#) [S008060BB1LZ \(COLD WHITE IP20\)](#) [P026003CB3SC IP65](#) [S010120BC1LZ \(WARM WHITE IP65\)](#) [S012060CB4ST](#)
[\(BLACK PCB\)](#) [S010030CB3SB7](#) [S010030CC1LZ \(WARM WHITE IP20\)](#) [N006120BB1LZ \(GREEN\)](#) [N010001](#) [S005030DA4SA1](#)
[S010060CA4SA1](#) [P038006CC3SE IP67](#) [P012001NA3SF](#) [P012001NB3SF](#) [P023002DB3SC](#) [S010060CB1LZ \(NEUTRAL WHITE IP20\)](#)
[S010060CB1LZ \(COLD WHITE IP20\)](#) [S010120BB1LZ \(NEUTRAL WHITE IP65\)](#) [S010030CB1LZ \(NEUTRAL WHITE IP20\)](#)
[S010060CC1LZ \(WARM WHITE IP20\)](#) [N006120BB1LZ \(COLD WHITE\)](#) [N006120BB1LZ \(VIOLET\)](#) [N006120BC1LZ \(BLUE\)](#)