

2835 RGB flex led strip



◆ Product Description :

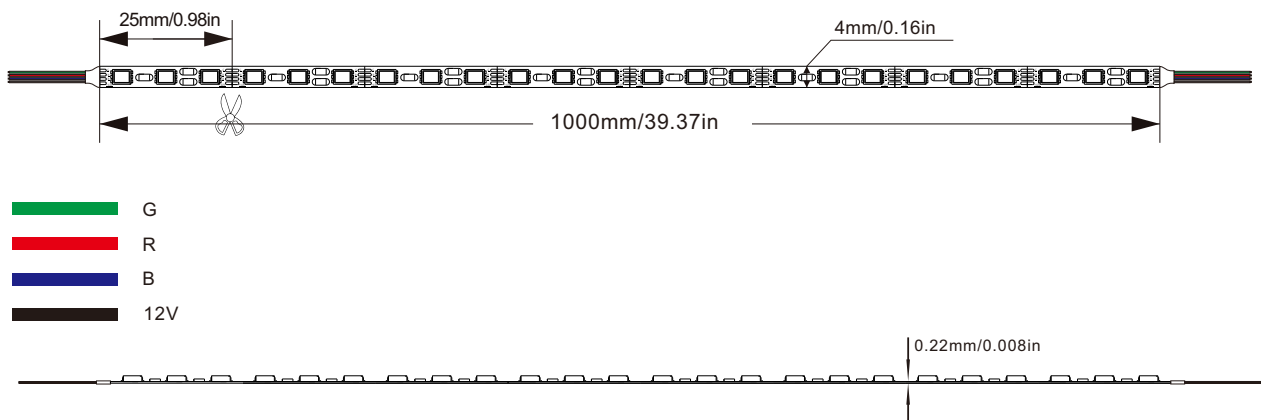
- This led strip with 60pcs SMD2835 RGBLED chips
- Use PWM controller
- Input voltage is DC12V
- Flexible PCB, PCB color is white
- Ultra narrow PCB with 4mm, 1 + 2 Oz copper



◆ Product parameter

Product Numbe	S004060TTB3PZ	Control	PWM
Operating Voltage	DC12V	Net Weight/Roll	0.24Kg
Power/M	7.2W	Beam Angle	120°
SMD Type	SMD 2835	Size (mm)	1000 * 4mm
LED Qty/M	60	IP Rate	IP20/IP65
Color	R G B	Operation Temperature	- 25 ~ 60 °C
Pixel/M	/	Material	FPC
Wavelength	R:620-625 G:520-525 B:460-465nm	Cutting Length	25mm

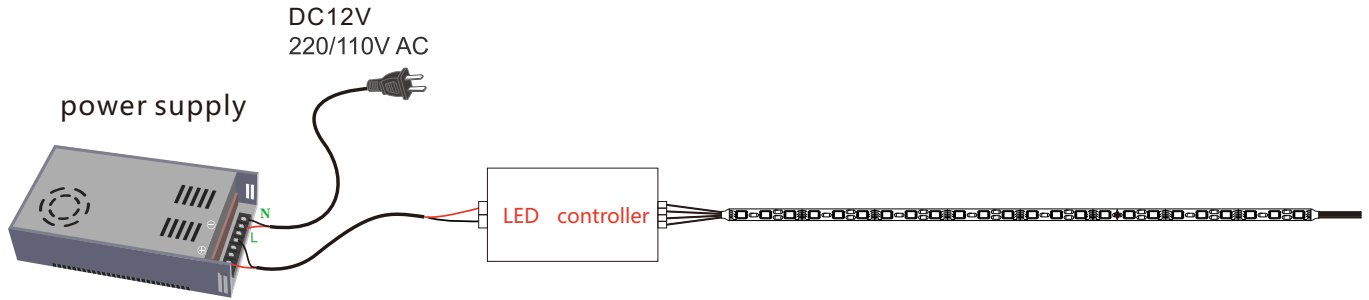
◆ Outline Dimension (unit: mm)



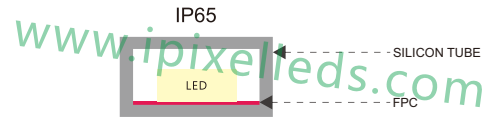
◆ Order number

DC12V	RGB	White PCB	IP20	S004060TTB3PZ/C1
DC12V	RGB	White PCB	IP65	S004060TTB3PZ/C2

◆ Wiring diagram



◆ Strip IP Rate



◆ Accessories



Screw



Silicone clip



End cap

Note: The parameters are subject to change without notice!

X-ON Electronics

Largest Supplier of Electrical and Electronic Components

Click to view similar products for [LED Lighting Bars and Strips category](#):

Click to view products by [IPIXEL LED manufacturer](#):

Other Similar products are found below :

[ZLF0310W62524](#) [LF1D-F2F-2W-300](#) [00215258](#) [HH-SWW320F010W12-COB IP20](#) [HH-SWW320F010W24-COB IP20](#) [HH-SWW528F210W12-COB IP65](#) [HH-SG528F010W24-COB IP20](#) [LF2D-EN2F-2W-A](#) [LFBHL-SW827-24V-8S63-20](#) [N006120BC1LZ \(GOLDEN YELLOW\)](#) [S010060CB1LZ \(NEUTRAL WHITE IP65\)](#) [S010060CC1LZ \(WARM WHITE IP65\)](#) [2633830000](#) [HH-SX72F008W24-2835 CW WHITE PCB IP20](#) [HH-SX180F010W24 -2835 WW WHITE PCB IP20](#) [HH-SX72F008W24-2835 NW WHITE PCB IP20](#) [HH-SX144F008W24 -2835 NW WHITE PCB IP20](#) [HH-SX180F010W24 -2835 NW WHITE PCB IP20](#) [HH-SX144F008W24 -2835 CW WHITE PCB IP20](#) [HH-SX144F008W24 -2835 WW WHITE PCB IP20](#) [HH-SX180F010W24 -2835 CW WHITE PCB IP20](#) [N008120BB1LZ \(BLUE\)](#) [00219015](#) [10001611](#) [10001612](#) [10001613](#) [10001617](#) [10001618](#) [10001619](#) [10001622](#) [10001623](#) [10001655](#) [10001657](#) [10001664](#) [10001670](#) [10001675](#) [10001681](#) [10001683](#) [10001690](#) [PUUA-100LLL-NK2P](#) [QAUR1161L030](#) [HC-F12V-3535 PCBA](#) [HC-F12V-F50-3L-WS2811](#) [HC-F12V-WS2811-3535](#) [HC-F5V-144L-144LED-B-WS2813 IP20](#) [HC-F5V-144L-144LED-B-WS2813 IP65](#) [HC-F5V-144L-144LED-W-WS2813 IP20](#) [HC-F5V-30L-30LED-B-WS2813 IP20](#) [HC-F5V-30L-30LED-W-WS2813 IP20](#) [HC-F5V-60L-60LED-B-WS2813 IP20](#)