

## DMX 2835 single color flex led strip 240LEDs/m



### ◆ Product Description:

2835 LED chip, 240LEDs/m, double row

DMX IC chip and controlled by DMX controller

Input voltage is DC24V

Flexible PCB, FPC color is white

PCB with 1+2 Oz copper, 20mm width

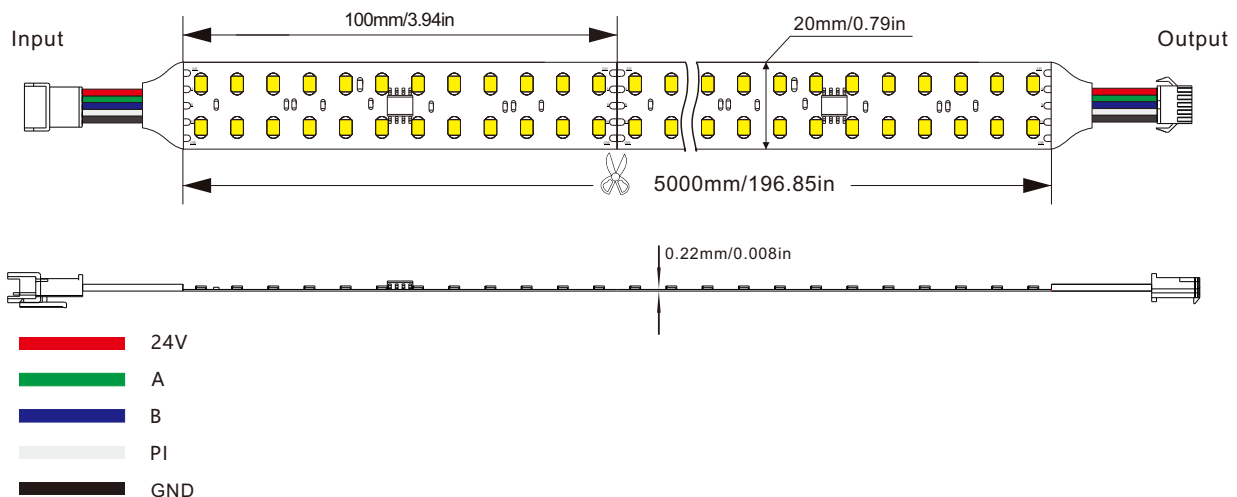
Standard 5m/roll, length can be customized



### ◆ Product Datasheet

Product Number	S020240BC1DC0	Luminance/M	W:1975lm
Operating Voltage	DC24V	Ra	≥80
Power/M	19.2W	Beam Angle	120°
SMD Type	SMD 2835	Size (mm)	5000x20mm
LED Qty/M	240	IP Rate	IP20/IP65
Color	W:3000K/4000K/6000K	Operation Temperature	- 25 ~ 60 °C
Pixel/M	10	Material	FPC
Control	DMX/TM512AC	Cutting Length	100mm
Wavelength	/	Net Weight/Roll	0.192Kg

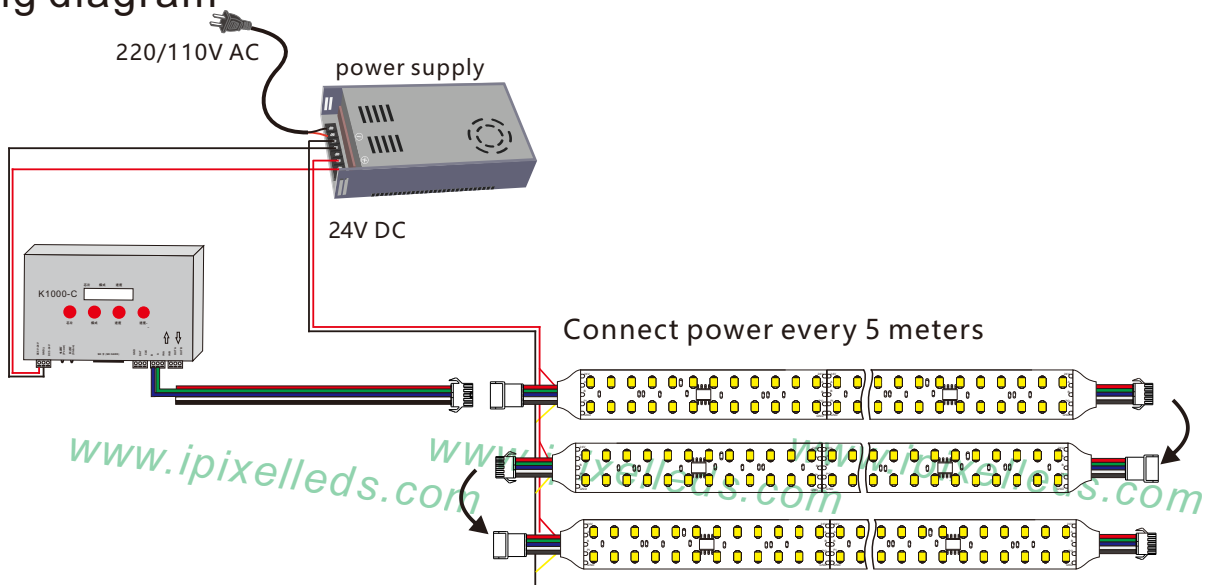
### ◆ Outline Dimension (unit: mm)



## ◆ Order number

DC24V	3000K	White PCB	IP20	S020240BC1DC0/C1
DC24V	4000K	White PCB	IP20	S020240BC1DC0/C2
DC24V	6000K	White PCB	IP20	S020240BC1DC0/C3
DC24V	3000K	White PCB	IP65	S020240BC1DC0/C4
DC24V	4000K	White PCB	IP65	S020240BC1DC0/C5
DC24V	6000K	White PCB	IP65	S020240BC1DC0/C6

## ◆ Wiring diagram



## ◆ Strip IP Rate



## ◆ Accessories



Screw

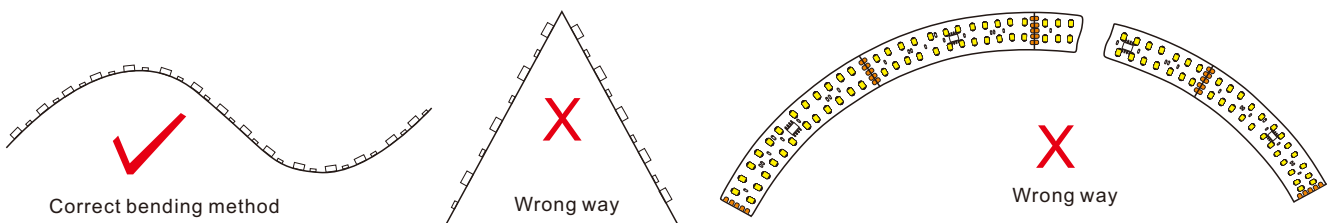


Silicone clip



End cap

## ◆ Schematic diagram of maximum bending prevention



Note: The parameters are subject to change without notice!

## X-ON Electronics

Largest Supplier of Electrical and Electronic Components

*Click to view similar products for [LED Lighting Bars and Strips](#) category:*

*Click to view products by [IPIXEL LED](#) manufacturer:*

Other Similar products are found below :

[LFBLL-SW823-24V-8S125-20](#) [LFBHL-SW927-24V-8S63-20](#) [RF-G30HI3510-241202081-A0 IP20](#) [RF-GW2H39W19-2406020I1-A1 IP20](#)  
[HH-SX144F008W24 -2835 WW WHITE PCB IP20](#) [HH-SRGB840F010W24-COB](#) [N004120BB1LZ \(6000K\)](#) [N004120BC1LZ \(3000K\)](#)  
[N008120BB1LZ \(BLUE\)](#) [N008120BC1LZ \(4000K\)](#) [S008144CA4SA1/C1 \(RGB+4000K IP20\)](#) [S0121134ZC3PZ](#) [COB-480-CW-24-10W](#)  
[HQS-14.4W-60LED-RGB-WP-12V-5M](#) [N013060CA3SA1](#) [HQS-12W-60LED-W-WP-24V-5M](#) [UQS-COB-12W-NW-24V-5M](#) [HH-](#)  
[SNW480F208W24-COB-R](#) [HQS-12W-60LED-NW-WP-12V-5M](#) [S012120BC1HZ \(WARM WHITE\)](#) [HQS-6W-60LED-WW-WP-24V-5M](#)  
[S020240BC1DC0/C3](#) [S012060CB4SA1/C2](#) [HQS-12W-60LED-WW-WP-24V-5M](#) [HH-SW480F008W24-COB-R](#) [UQS-COB-8W-WW-12V-](#)  
[5M](#) [HH-SWW480F008W24-COB-R](#) [COB-480-WW-24-10W](#) [HQS-6W-60LED-NW-WP-12V-5M](#) [S012060CC4DC0/C3](#) [S012048CB4PZ](#)  
[\(RGB+W:3000K\)](#) [HQS-9.6W-120LED-NW-WP-12V-5M](#) [S012480ZB1SF \(WARM WHITE IP20\)](#) [HQS-6W-60LED-WW-12V-5M](#)  
[S012120BC1HZ \(COLD WHITE\)](#) [HQS-6W-60LED-W-WP-12V-5M](#) [HQS-6W-60LED-W-12V-5M](#) [HQS-9.6W-120LED-NW-24V-5M](#) [HQS-](#)  
[9.6W-120LED-NW-12V-5M](#) [UQS-COB-8W-NW-24V-5M](#) [HQS-12W-60LED-WW-12V-5M](#) [S012480ZB1SF \(COLD WHITE IP20\)](#) [HH-](#)  
[SRGB60F310W12-5050 WHITE PCB IP65A](#) [S010120BC3SM/C1](#) [UQS-COB-12W-W-24V-5M](#) [HH-SRGB60F010W12-5050 WHITE PCB](#)  
[IP20](#) [HQS-6W-60LED-NW-12V-5M](#) [HH-SW60F008W12-3528 CW WHITE PCB IP20](#) [HQS-6W-60LED-NW-24V-5M](#) [S004060BB3PZ/C2](#)