

#### Customer Part:



#### Description

- Standard 7 x 5mm crystal oscillator in a ceramic package with a seam sealed metal lid, hermetically sealed.
- Model **CFPS-73**
- Model Issue number **14**

#### Frequency Parameters

- Frequency **16.0MHz**
- Frequency Stability **±50.00ppm**
- Operating Temperature Range **-40.00 to 85.00°C**
- Ageing **±3ppm per year max**

#### Electrical Parameters

- Supply Voltage **3.3V ±10%**
- Current Draw **7.000mA**
- Note: parameters are referenced to 15pF load

#### Output Details

- Output Compatibility **HCMOS**
- Drive Capability **15pF std, 50pF max**
- Rise and Fall Time **10.0ns max**
- Duty Cycle **45/55**
- Start up time: **10ms max.**  
0.9ms typ to 90% of final amplitude ( under ideal conditions @ 25°C)

#### Output Control

- Standby Operation:  
Logic '1' (>70% VS) to pad 1 enables oscillator output  
Logic '0' (<30% VS) to pad 1 disables oscillator output; the oscillator output goes to the high impedance state  
No connection to pad 1 enables oscillator output  
Standby Current: **10µA max, 0.9µA typ @ 25°C**

#### Noise Parameters

- Phase Noise @125MHz (typical):  
10Hz **-54dBc**  
100Hz **-92dBc**  
1kHz **-130dBc**  
10kHz **-149dBc**  
100kHz **-159dBc**  
1MHz **-163dBc**
- RMS Phase Jitter @125MHz: **52fs typical**

#### Environmental Parameters

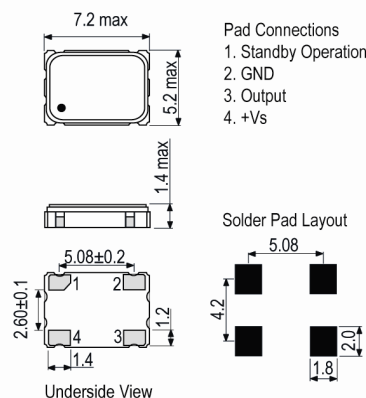
- Shock: **MIL-STD-202, Method 213, Condition E**
- Vibration: **MIL-STD-883, Method 2007, Condition A**
- Storage Temperature Range: **-55 to 125°C**

#### Manufacturing Details

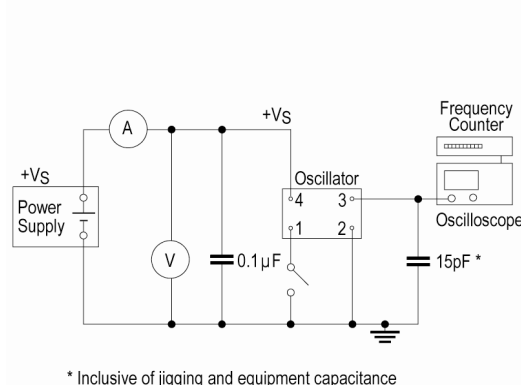
- RoHS Terminations **NiAu**
- RoHS Reflow Temp **260degC 10s**



#### Outline (mm)



#### Test Circuit



#### Sales Office Contact Details:

UK: +44 (0)1460 270200  
Germany: 0800 1808 443

France: 0800 901 383  
USA: +1.760.318.2824

Email: [info@iqdfrequencyproducts.com](mailto:info@iqdfrequencyproducts.com)  
Web: [www.iqdfrequencyproducts.com](http://www.iqdfrequencyproducts.com)

**Customer Part:**

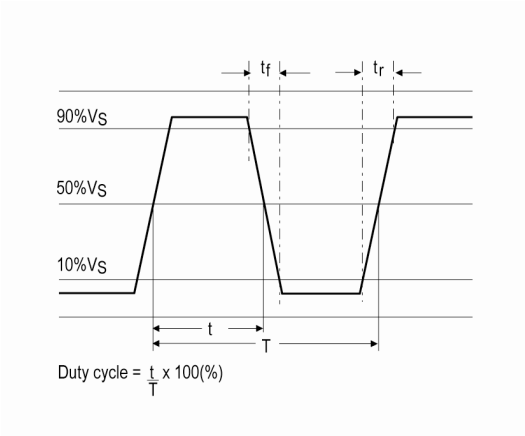
**Compliance**

- RoHS Status (2015/863/EU)      Compliant
- REACH Status                          Compliant
- MSL Rating (JDEC-STD-033):    Not Applicable

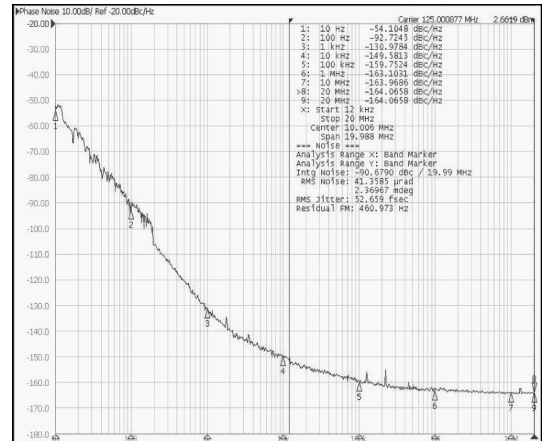
**Packaging Details**

- Pack Style: Reel      Tape & reel in accordance with EIA-481-D  
Pack Size: 1,000
- *Alternative packing option available*

**Wave Form**



**Phase Noise / Jitter**



**Sales Office Contact Details:**

UK: +44 (0)1460 270200  
Germany: 0800 1808 443

France: 0800 901 383  
USA: +1.760.318.2824

Email: [info@iqdfrequencyproducts.com](mailto:info@iqdfrequencyproducts.com)  
Web: [www.iqdfrequencyproducts.com](http://www.iqdfrequencyproducts.com)

## X-ON Electronics

Largest Supplier of Electrical and Electronic Components

*Click to view similar products for [Standard Clock Oscillators](#) category:*

*Click to view products by [IQD](#) manufacturer:*

Other Similar products are found below :

[601252](#) [F335-25](#) [F535L-33.333](#) [F535L-50](#) [ECS-2018-160-BN-TR](#) [MXO45HS-2C-66.6666MHZ](#) [SiT1602BI-22-33E-50.000000E](#) [SiT8209AI-32-33E-125.000000](#) [SIT8918AA-11-33S-50.000000G](#) [SM4420TEV-40.0M-T1K](#) [F335-24](#) [F335-40](#) [F535L-10](#) [F535L-12](#) [F535L-16](#) [F535L-24](#) [F535L-27](#) [F535L-48](#) [PE7744DW-100.0M](#) [CSX-750FCC14745600T](#) [ASF1-3.686MHZ-N-K-S](#) [XO57CTECNA3M6864](#) [ECS-2100A-147.4601251](#) [EP16E7E2H26.000MTR](#) [SIT8918AA-11-33S-16.000000G](#) [XO3003](#) [9120AC-2D2-33E212.500000](#) [9102AI-243N25E100.00000](#) [8208AC-82-18E-25.00000](#) [ASDK2-32.768KHZ-LR-T3](#) [8008AI-72-XXE-24.545454E](#) [8004AC-13-33E-133.33000X](#) [AS-4.9152-16-SMD-TR](#) [ASFL1-48.000MHZ-LC-T](#) [SIT8920AM-31-33E-25.0000](#) [DSC1028DI2-019.2000](#) [9121AC-2C3-25E100.00000](#) [9102AI-233N33E100.00000X](#) [9102AI-233N25E200.00000](#) [9102AI-232H25S125.00000](#) [9102AI-133N25E200.00000](#) [9102AC-283N25E200.00000](#) [9001AC-33-33E1-30.0003921AI-2CF-33NZ125.000000](#) [5730-1SF](#) [PXA000010](#) [8003AI-12-33S-40.00000Y](#) [1602BI-13-33S-19.200000E](#) [8208AI-2F-18E-25.000000X](#)