

MOC3040, MOC3041, MOC3042, MOC3043  
MOC3040X, MOC3041X, MOC3042X, MOC3043X



# ISOCOM

COMPONENTS



## OPTICALLY COUPLED BILATERAL SWITCH LIGHT ACTIVATED ZERO VOLTAGE CROSSING TRIAC

### APPROVALS

- UL recognised, File No. E91231  
Package Code "GG" or "TT"
- 'X' SPECIFICATION APPROVALS
  - VDE 0884 in 3 available lead form : -
    - STD
    - G form
    - SMD approved to CECC 00802

### DESCRIPTION

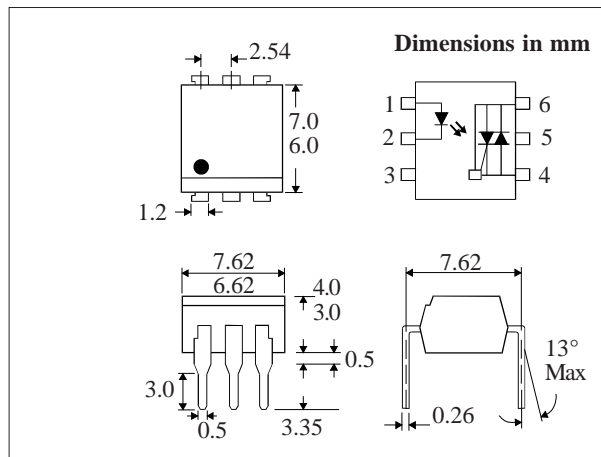
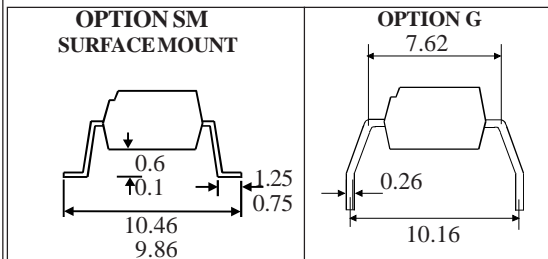
The MOC304\_ Series are optically coupled isolators consisting of a Gallium Arsenide infrared emitting diode coupled with a monolithic silicon detector performing the functions of a zero crossing bilateral triac mounted in a standard 6 pin dual-in-line package.

### FEATURES

- Options :-
  - 10mm lead spread - add G after part no.
  - Surface mount - add SM after part no.
  - Tape & reel - add SMT&R after part no.
- High Isolation Voltage ( $5.3kV_{RMS}, 7.5kV_{PK}$ )
- Zero Voltage Crossing
- 400V Peak Blocking Voltage
- All electrical parameters 100% tested
- Custom electrical selections available

### APPLICATIONS

- CRTs
- Power Triac Driver
- Motors
- Consumer appliances
- Printers



### ABSOLUTE MAXIMUM RATINGS (25 °C unless otherwise noted)

Storage Temperature \_\_\_\_\_ -55°C - +150°C  
Operating Temperature \_\_\_\_\_ -40°C - +100°C  
Lead Soldering Temperature \_\_\_\_\_ 260°C  
(1.6mm from case for 10 seconds)

### INPUT DIODE

Forward Current \_\_\_\_\_ 50mA  
Reverse Voltage \_\_\_\_\_ 6V  
Power Dissipation \_\_\_\_\_ 120mW  
(derate linearly 1.41mW/°C above 25°C)

### OUTPUT PHOTO TRIAC

Off-State Output Terminal Voltage \_\_\_\_\_ 400V  
Peak Repetitive Surge Current  
(PW=100µs, 120pps) \_\_\_\_\_ 1A  
Power Dissipation \_\_\_\_\_ 150mW  
(derate linearly 1.76mW/°C above 25°C)

### POWER DISSIPATION

Total Power Dissipation \_\_\_\_\_ 250mW  
(derate linearly 2.94mW/°C above 25°C)

**ISOCOM COMPONENTS 2004 LTD**  
Unit 25B, Park View Road West,  
Park View Industrial Estate, Brenda Road  
Hartlepool, TS25 1UD England Tel:  
(01429)863609 Fax: (01429)863581 e-mail  
sales@isocom.co.uk <http://www.isocom.com>

**ELECTRICAL CHARACTERISTICS (  $T_A = 25^\circ\text{C}$  Unless otherwise noted )**

| PARAMETER                                |   | MIN          | TYP | MAX                 | UNITS  | TEST CONDITION  |
|--|---|--------------|-----|---------------------|--|---|
| Input                                    | Forward Voltage ( $V_F$ )<br>Reverse Current ( $I_R$ )  |              | 1.2 | 1.4<br>10           | V<br>$\mu\text{A}$                                   | $I_F = 20\text{mA}$<br>$V_R = 6\text{V}$  |
| Output                                   | Peak Off-state Current ( $I_{\text{DRM}}$ )<br>Peak Blocking Voltage ( $V_{\text{DRM}}$ )<br>On-state Voltage ( $V_{\text{TM}}$ )<br><br>Critical rate of rise of<br>off-state Voltage ( $dv/dt$ )          | 400          |     | 500<br><br>3.0      | nA<br>V<br>V   | $V_{\text{DRM}} = 400\text{V}$ (note 1 )<br>$I_{\text{DRM}} = 500\text{nA}$<br>$I_{\text{TM}} = 100\text{mA}$ ( peak )  |
| Coupled                                  | Input Current to Trigger ( $I_{\text{FT}}$ )(note 2 )<br>MOC3040<br>MOC3041<br>MOC3042<br>MOC3043<br><br>Holding Current , either direction ( $I_H$ )<br>Input to Output Isolation Voltage $V_{\text{ISO}}$ |              |     | 30<br>15<br>10<br>5 | mA<br>mA<br>mA<br>mA                                 | $V_{\text{TM}} = 3\text{V}$ ( note 2 )  |
|  |   | 5300<br>7500 | 400 |                     | $\mu\text{A}$<br>$V_{\text{RMS}}$<br>$V_{\text{PK}}$ | See note 3<br>See note 3  |
| Zero<br>Crossing<br>Charact-<br>-eristic | Inhibit Voltage ( $V_{\text{IH}}$ )<br><br>Leakage in Inhibited State ( $I_S$ )   |              |     | 20<br><br>500       | V<br><br>$\mu\text{A}$                               | $I_F = \text{Rated } I_{\text{FT}}$<br>MT1-MT2 Voltage<br>above which device<br>will not trigger<br>$I_F = \text{Rated } I_{\text{FT}}$<br>$V_{\text{DRM}} = \text{Rated } V_{\text{DRM}}$<br>Off-state |

Note 1. Test voltage must be applied within  $dv/dt$  rating.

Note 2. Guaranteed to trigger at an  $I_F$  value less than or equal to max.  $I_{\text{FT}}$ , recommended  $I_F$  lies between Rated  $I_{\text{FT}}$  and absolute max.  $I_F$ .

Note 3. Measured with input leads shorted together and output leads shorted together.

## X-ON Electronics

Largest Supplier of Electrical and Electronic Components

*Click to view similar products for [Triac & SCR Output Optocouplers](#) category:*

*Click to view products by [Isocom](#) manufacturer:*

Other Similar products are found below :

[IL4218-X019](#) [MOC3063S-TA](#) [IL410-X019T](#) [ILD207-X001T](#) [ILD615-1X007T](#) [WPPCT-N1066A](#) [WPPCT-N1566A](#) [WPPCT-Z546D](#)  
[TLP3052](#) [VO2223A-X007T](#) [WPPCT-Z546A](#) [WPPCT-Z1046D](#) [WPPCT-Z1046A](#) [WPPCT-N566D](#) [WPPCT-N566A](#) [WPPCT-N1566D](#)  
[FODM3053V\\_NF098](#) [VO4258D](#) [VO4256D](#) [VO4158H-X017T](#) [IL4116-X009T](#) [MOC3071SM](#) [IL410-X017](#) [IL4116-X007](#) [VO0601-X001T](#)  
[MOC3073SR2M](#) [LTV-3053](#) [EL3021S1\(TA\)](#) [ELR2223](#) [ELM3053\(TA\)](#) [ELM3052\(TA\)](#) [EL3083S1\(TA\)-V](#) [EL3052S1\(TA\)\(P5\)-V](#)  
[LTV816STP-D3-TXCU](#) [TLP265J\(TPL,E](#) [TLP265J\(TPR,E\(T](#) [MOC3063SM](#) [MOC3061M](#) [MOC3043SM](#) [MOC3052STA1-V](#) [EL3061S\(TA\)](#)  
[MOC3023D](#) [MOC3022D](#) [MOC3061D](#) [MOC3021D](#) [MOC3051D](#) [MOC3083D](#) [MOC3042D](#) [MOC3082D](#) [MOC3020D](#)