

IS31AP2036A HIGH EFFICIENCY, CLASS-K AUDIO POWER AMPLIFIER WITH INTEGRATED CHARGE PUMP CONVERTER

DESCRIPTION

The IS31AP2036A is a Class-K audio power amplifier with high efficiency and automatic gain control. It drives up to 2.0W (10% THD+N) into an 8Ω speaker from a 4.2V VCC supply.

The IS31AP2036A integrates advanced high efficiency charge pump and whole power amplifier efficiency can be up to 75%. The output power will be maintained in 0.8W, 1.0W and 1.2W.

The IS31AP2036A provides low cost, space saving solution for portable equipments which need audio output with higher power by boosting up supply voltage. Its external components just include a few capacitors and resistors (no inductor).

The demo board has four modes to test the functionality of the IS31AP2036A.

FEATURES

- Operates from 3.0V to 5.0V
- Ultra low output noise floor
- Low EMI
- -66dB (217Hz) high PSRR
- 0.05% low THD+N
- Pulse Count Control serial interface
- Thermal and short-circuit protection
- Integrated Click-and-Pop suppression circuitry
- Available in FCQFN-16 (2mm × 2mm) package

QUICK START

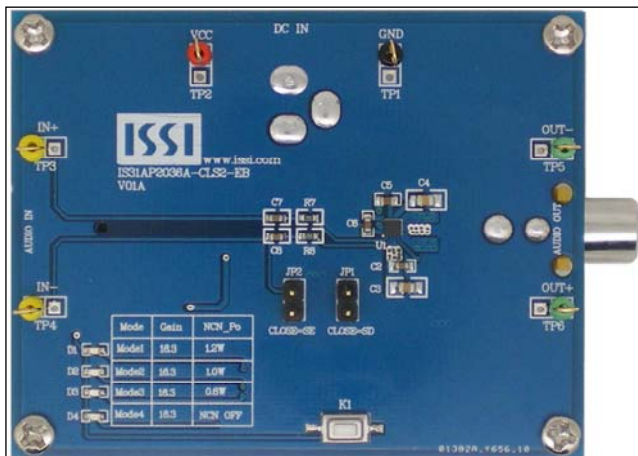


Figure 1: Photo of IS31AP2036A Evaluation Board

RECOMMENDED EQUIPMENT

- 3.0~5.0V, 2A power supply
- Audio source (i.e. MP3 player, Notebook PC, etc.)
- 8Ω or 4Ω speakers

ABSOLUTE MAXIMUM RATINGS

- ≤ 5.0V power supply

Caution: Do not exceed the conditions listed above, otherwise the board will be damaged.

PROCEDURE

The IS31AP2036A demo board is fully assembled and tested. Follow the steps below to verify board operation.

Caution: Do not turn on the power supply until all connections are completed.

- 1) Connect a 4Ω (or larger) speaker across the OUT-terminal and OUT+ terminal or the RCA female connector (AUDIO OUT).
- 2) Connect the ground terminal of the power supply to the GND (TP1) and the positive terminal to the VCC (TP2). Or connect DC power to connector (DC IN) with a 2.5 mm Jack.
- 3) If the audio source is differential, remove jumper JP2, connect the negative of the audio source to the IN- terminal, and connect the positive of the audio source to IN+ terminal.
- 4) If the audio source is single-ended, connect the audio source to the IN+ terminal, and close jumper JP2; or connect audio source to the audio mono connector (AUDIO IN) and close jumper JP2.
- 5) Turn on the audio source.
- 6) Turn on the power supply

IS31AP2036A HIGH EFFICIENCY, CLASS-K AUDIO POWER AMPLIFIER WITH INTEGRATED CHARGE PUMP CONVERTER

ORDERING INFORMATION

Part No.	Temperature Range	Package
IS31AP2036A-CLS2-EB	-40°C ~ +85°C (Industrial)	FCQFN-16, Lead-free

Table 1: Ordering Information

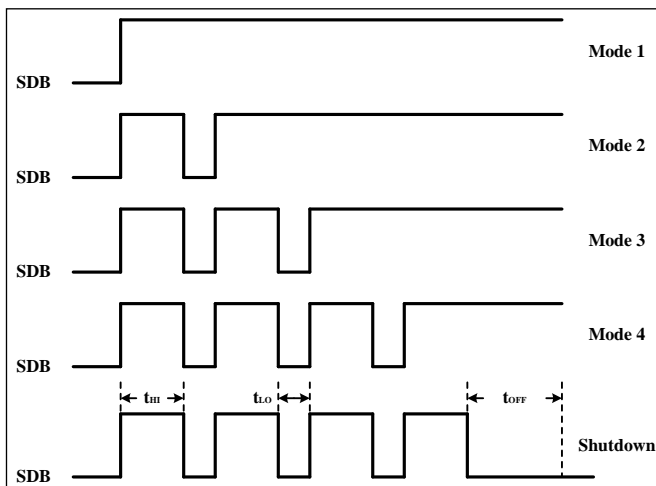
For pricing, delivery, and ordering information, please contact Lumissil's analog marketing team at analog@lumissil.com or (408) 969-6600.

EVALUATION BOARD OPERATION

The IS31AP2036A demo board has an LPC922 MCU to read the status of the button (K1) which select between the different modes. The current operating mode is indicated by the illuminated LED on the left side. The default mode is shutdown.

MODE SETTINGS

The operating mode is controlled by Pulse Count Control (PCC wire) serial interface. The interface records rising edges of the SDB pin and decodes them into 4 operating mode as below.



SDB Status	Function
1 Pulse	Mode1 (NCN power 1.2W) $R_L = 8\Omega$
2 Pulse	Mode2 (NCN power 1.0W) $R_L = 8\Omega$
3 Pulse	Mode3 (NCN power 0.8W) $R_L = 8\Omega$
4 Pulse	Mode4 (NCN OFF)
Pull low (1ms)	Shutdown

t_{HI} and t_{LO} are from 0.75 μ s to 10 μ s and 2 μ s is recommended.

Switch modes: it should pull down the SDB pin low over t_{OFF} (recommended 1ms) to shut down the IC and send pulse again to switch modes.

GAIN SETTING

The IS31AP2036A demo board is shipped with a gain of 16.4V/V, and is set by resistors R_{IN} ($R_{Internal}$ (16.5k Ω) + $R_{External}$ (R_7 or R_8)). Change resistors R_7 and R_8 to reconfigure the gain of the board. Gain determined in Equation (1)

$$Gain = \frac{320k\Omega}{R_{Internal} + R_{External}} \left(\frac{V}{V} \right) \quad (1)$$

HIGH-PASS FILTER

The evaluation board's high-pass filter consists of the input capacitors C_{IN} (C_7 or C_8) and R_{IN} ($R_{Internal}$ (16.5k Ω) + $R_{External}$ (R_7 or R_8)). The filter's corner frequency, f_c , is determined by Equation (2).

$$f_c = \frac{1}{(2\pi R_{IN} C_{IN})} \quad (2)$$

SHUTDOWN MODE

Jumper (JP1) controls the shutdown pin of the IS31AP2036A IC. Connect the shunt across pin 1 and 2 of the jumper (JP1) to enter the shutdown mode of the board.

IS31AP2036A HIGH EFFICIENCY, CLASS-K AUDIO POWER AMPLIFIER WITH INTEGRATED CHARGE PUMP CONVERTER

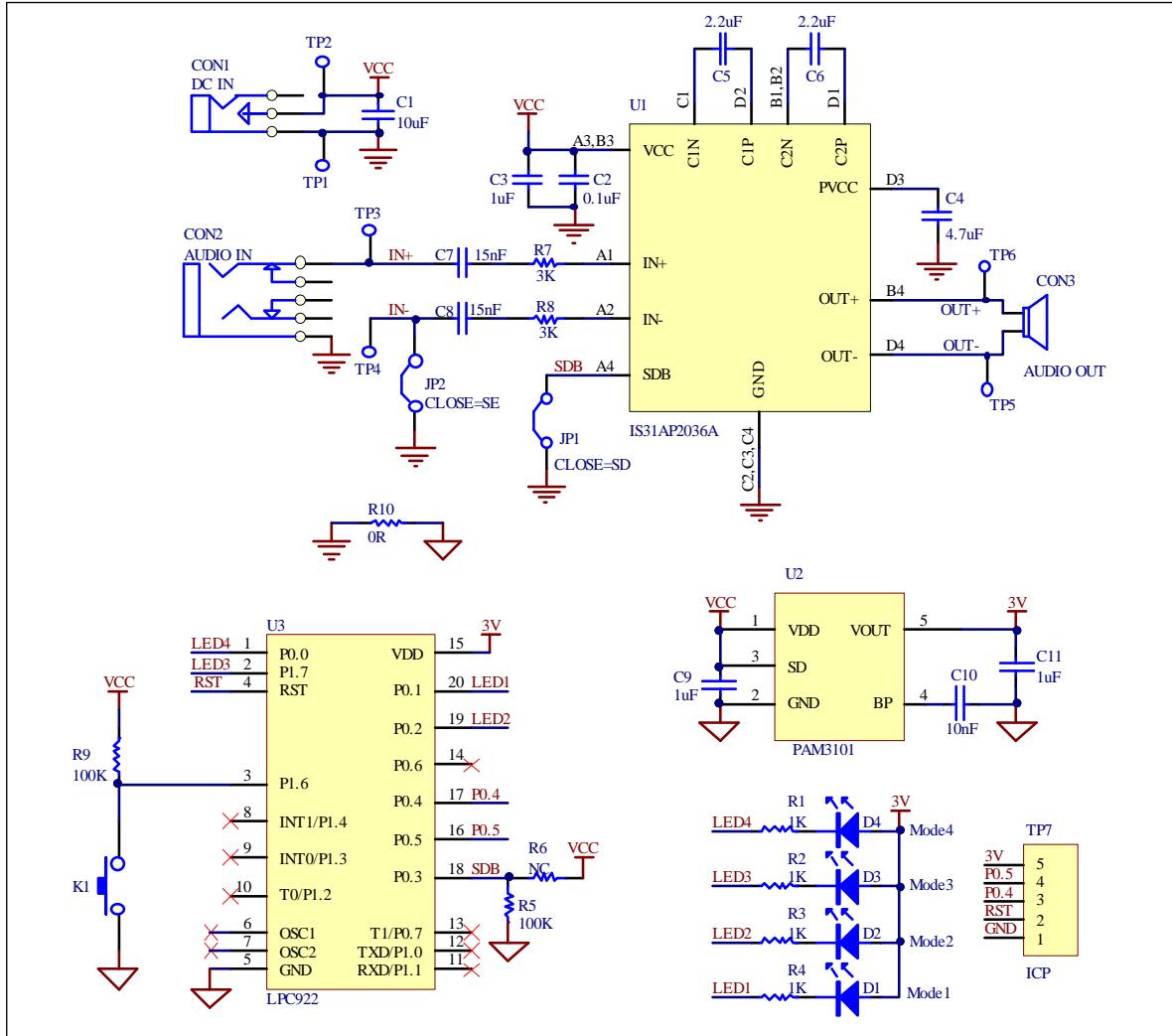


Figure 2: IS31AP2036A Application Schematic

IS31AP2036A HIGH EFFICIENCY, CLASS-K AUDIO POWER AMPLIFIER WITH INTEGRATED CHARGE PUMP CONVERTER



BILL OF MATERIALS

Name	Symbol	Description	Qty	Supplier	Part No.
Amplifier	U1	Class-K audio amplifier	1	Lumissil	IS31AP2036A-CLS2-TR
LDO	U2	Low-dropout regulator	1	PAM	PAM3101
MCU	U3	Microcontroller	1	NXP	LPC922
LED	D1~D4	LEDs Blue, SMD	4	Everlight	19-217/BHC-ZL1M2RY/3T
Resistor	R1~R4	RES,1K,1/16W,±5%,SMD	4	Yageo	RC0603JR-071KL
Resistor	R5,R9	RES,100K,1/16W,±5%,SMD	2	Yageo	RC0603JR-07100KL
Resistor	R7,R8	RES,3K,1/16W,±1%,SMD	2	Yageo	RC0603FR-073KL
Resistor	R10	RES,0R,1/16W,±5%,SMD	1	Yageo	RL0603JR-070KL
Resistor	R6	NC			
Capacitor	C1	CAP,10µF,10V,±10%,SMD	1	Yageo	CC0805KRX7R6BB106
Capacitor	C3,C9,C11	CAP,1µF,50V,±10%,SMD	3	Yageo	CC0805KRX7R9BB105
Capacitor	C2	CAP,0.1µF,50V,±10%,SMD	1	Yageo	CC0603KRX7R9BB104
Capacitor	C9,C11	CAP,0.1µF,50V,±10%,SMD	2	Yageo	CC0805KRX7R9BB104
Capacitor	C10	CAP,10nF,50V,±10%,SMD	1	Yageo	CC0603KRX7R8BB103
Button	K1	Button SMD	1		
Connector	DC IN	2.5mm DC JACK	1		
Connector	AUDIO OUT	RCA type plugs	1		
Connector	AUDIO IN	3.5mm min plug	1		
TP1~TP6	TP1~TP6	Test pins	6		

Bill of materials refers to Figure 2 above.

IS31AP2036A HIGH EFFICIENCY, CLASS-K AUDIO POWER AMPLIFIER WITH INTEGRATED CHARGE PUMP CONVERTER

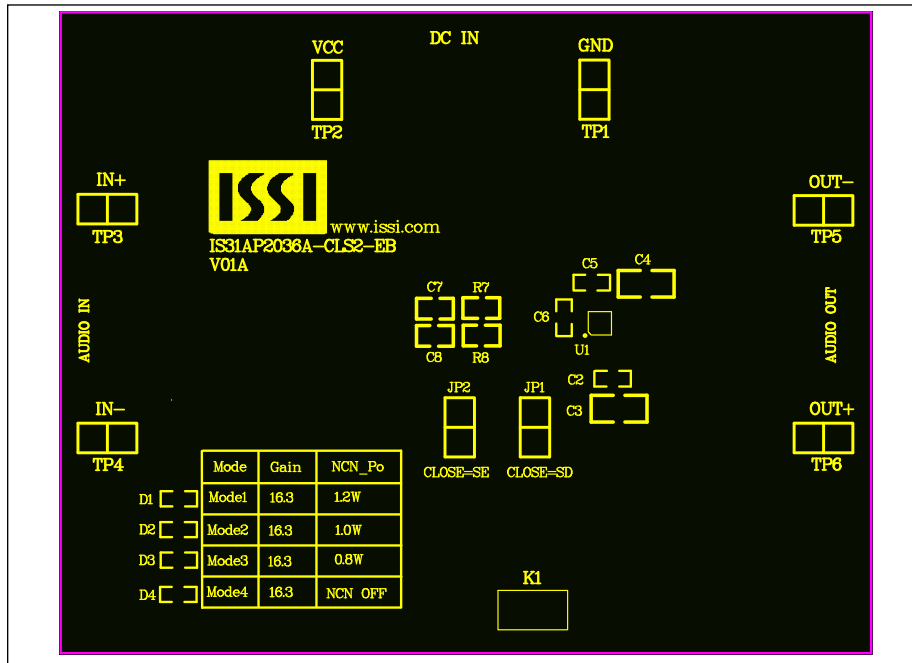


Figure 3: Board Component Placement Guide - Top Layer

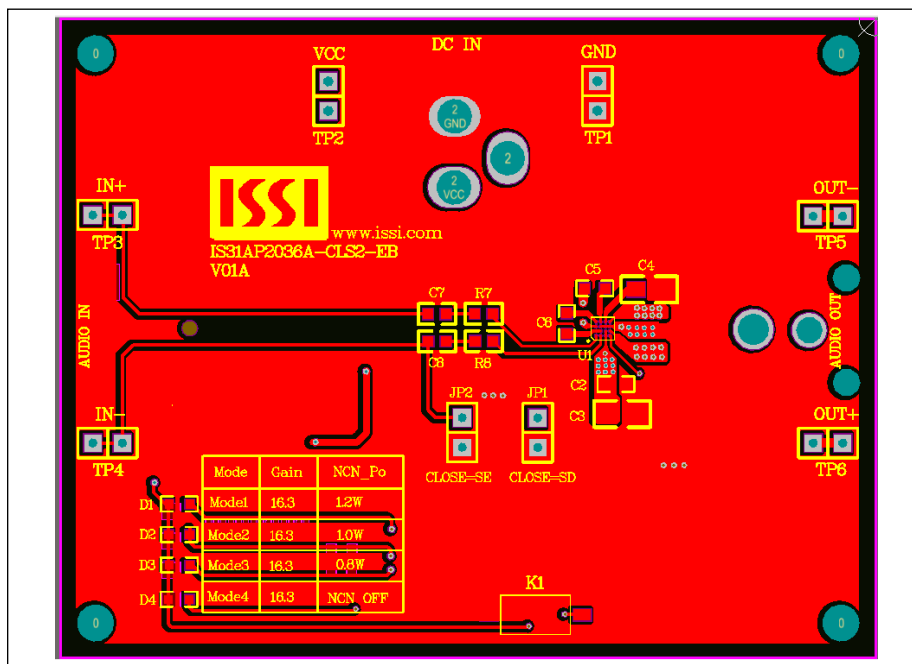


Figure 4: Board PCB Layout - Top Layer

IS31AP2036A HIGH EFFICIENCY, CLASS-K AUDIO POWER AMPLIFIER WITH INTEGRATED CHARGE PUMP CONVERTER

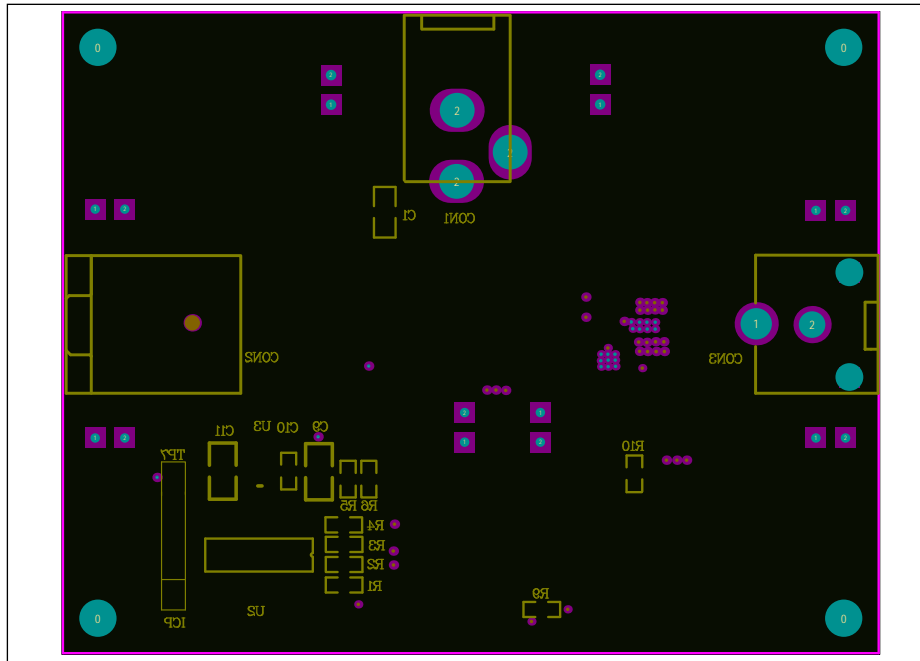


Figure 5: Board Component Placement Guide - Bottom Layer

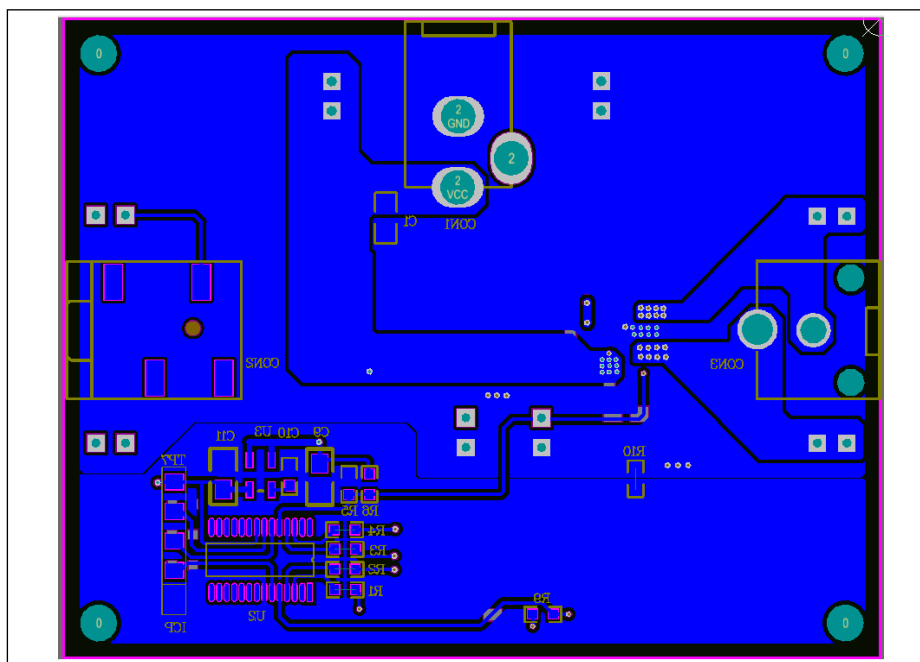


Figure 6: Board PCB Layout - Bottom Layer

Copyright © 2015 Lumissil Microsystems. All rights reserved. Lumissil Microsystems reserves the right to make changes to this specification and its products at any time without notice. Lumissil Microsystems assumes no liability arising out of the application or use of any information, products or services described herein. Customers are advised to obtain the latest version of this device specification before relying on any published information and before placing orders for products.

Lumissil Microsystems does not recommend the use of any of its products in life support applications where the failure or malfunction of the product can reasonably be expected to cause failure of the life support system or to significantly affect its safety or effectiveness. Products are not authorized for use in such applications unless Lumissil Microsystems receives written assurance to its satisfaction, that:

- a.) the risk of injury or damage has been minimized;
- b.) the user assume all such risks; and
- c.) potential liability of Lumissil Microsystems is adequately protected under the circumstances

X-ON Electronics

Largest Supplier of Electrical and Electronic Components

Click to view similar products for [Audio IC Development Tools](#) category:

Click to view products by [ISSI](#) manufacturer:

Other Similar products are found below :

[1580/5171-DEMO](#) [LM4935RLEVAL](#) [LM4923LQBD](#) [MAX9738EVKIT+](#) [EVAL-ADAV803EBZ](#) [CDBWM8725-M-1](#) [CDBWM8533-M-1](#)
[EV_ICS-40740-FX](#) [SDCK3](#) [PIM524](#) [DEV-17737](#) [EVALAHNBIM69D130V01TOBO1](#) [1063](#) [MIKROE-2454](#) [1381](#) [MIKROE-2477](#) [1712](#)
[175](#) [1788](#) [PGA2505EVM](#) [LM4780TABD/NOPB](#) [2130](#) [2220](#) [EVAL-ADAU1442EBZ](#) [AD8273-EVALZ](#) [2341](#) [2342](#) [TPA2100P1EVM](#)
[TPA203XD1EVM](#) [TPA2031D1EVM](#) [TPA2014D1EVM](#) [TPA2006D1EVM](#) [DEM-PCM2912AEVM](#) [TLV320AIC3204EVM-K](#)
[TLV320AIC3120EVM-U](#) [TLV320AIC3106EVM-K](#) [TLV320AIC3101EVM-K](#) [2716](#) [DFR0064](#) [DFR0119](#) [DFR0273](#) [SEN-14262](#) [3357](#)
[EV_ICS-40619-FX](#) [ASD2841-R](#) [EV_ICS-43434-FX](#) [DEV-10587](#) [3346](#) [EV_ICS-40618-FX](#) [GSK-118](#)